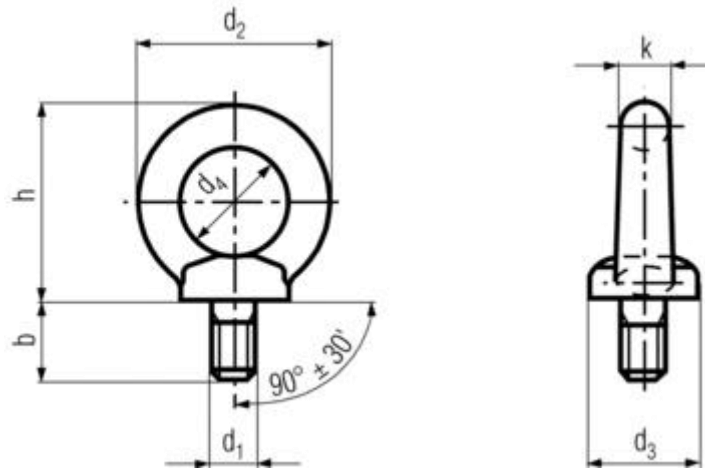


DIN 580 - Lifting Eye Bolts



All measurements in millimeters (mm)

d ₁	h	b	d ₂	d ₃	d ₄	k
M6	27.5	12	27	19	14	6.5
M8	36	13	36	20	20	8
M10	45	17	45	25	25	10
M12	53	20.5	54	30	30	12
M14	62	27	63	35	35	14
M16	62	27	63	35	35	14
M20	71	30	72	40	40	16
M22	90	36	90	50	50	20
M24	90	36	90	50	50	20
M27	109	45	108	65	60	24
M30	109	45	108	65	60	24
M33	128	54	126	75	70	28
M36	128	54	126	75	70	28
M42	147	63	144	85	80	32
M45	168	68	166	100	90	38
M48	168	68	166	100	90	38
M52	187	78	184	110	100	42
M56	187	78	184	110	100	42
M64	208	90	206	120	110	48
M72	260	100	260	150	140	60
M80	298	112	296	170	160	68
M100	330	130	330	190	180	75

FOR INFORMATION PURPOSES ONLY

©S&G Global Fastening Solutions
 LN Road , Vadodara (Gujarat) India-390001
 (M) : 8460616032 / 9601299511
 (E) : info@sglobal.in
 www.sglobal.in
 Our Global Presence
 India | China | Canada