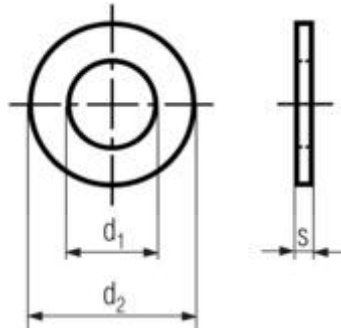


## DIN 125 - Flat Washer Without Chamfer



\*All measurements in millimeters (mm)\*

$d_1$	for thread size	$d_2$	s
1.7	M1.6	4	0.3
2.2	M2	5	0.3
2.7	M2.5	6	0.5
3.2	M3	7	0.5
3.7	M3.5	8	0.5
4.3	M4	9	0.8
5.3	M5	10	1
6.4	M6	12	1.6
7.4	M7	14	1.6
8.4	M8	16	1.6
10.5	M10	20	2
13	M12	24	2.5
15	M14	28	2.5
17	M16	30	3
19	M18	34	3
21	M20	37	3
23	M22	39	3
25	M24	44	4
28	M27	50	4
31	M30	56	4
34	M33	60	5
37	M36	66	5
40	M39	72	6
43	M42	78	7
50	M48	92	8
54	M52	98	8

FOR INFORMATION PURPOSES ONLY

©S&G Global Fastening Solutions  
 LN Road ,Vadodara (Gujarat) India-390001  
 (M) : 8460616032/9601299511  
 (E) : info@sgglobal.in  
 www.sgglobal.in

Our Global Presence  
 India | China | Canada