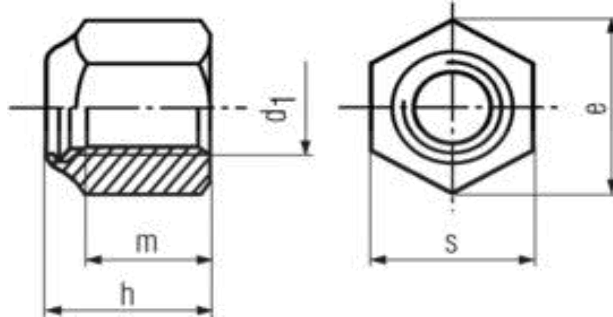


DIN 982 - Nylon Insert Self-locking Nuts Type P



All measurements in millimeters (mm)

d_1	s	e	m min	h
M5	8	8.79	3.52	6.3
M6	10	11.05	3.92	8
M8	13	14.38	5.15	9.5
M10	17	18.9	6.43	11.5
M12	19	21.1	8.3	14
M14	22	24.49	9.68	16
M16	24	26.75	11.28	18
M20	30	32.95	13.52	22
M24	36	39.55	16.16	28

FOR INFORMATION PURPOSES ONLY

©S&G Global Fastening Solutions
 LN Road ,Vadodara (Gujarat) India-390001
 (M) : 8460616032/9601299511
 (E) : info@sglobal.in
 www.sglobal.in

Our Global Presence
 India | China | Canada