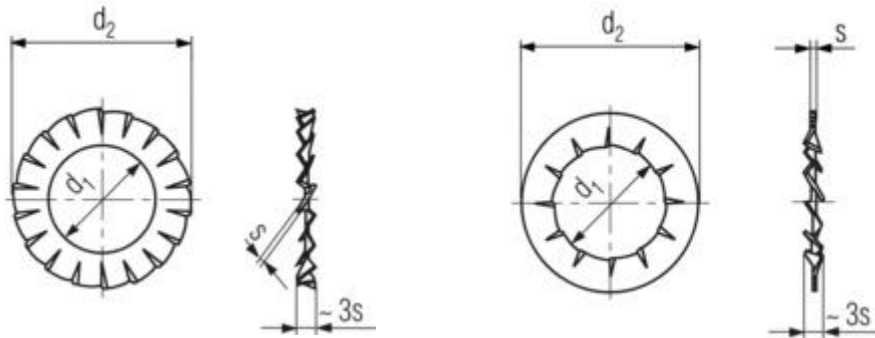


## DIN 6798 – Serrated Lock Washers



Form A  
(External)

Form J  
(Internal)

\*All measurements in millimeters (mm)\*

d <sub>1</sub>	used for	d <sub>2</sub>	s
2.7	M2.5	5.5	0.4
3.2	M3	6	0.4
3.7	M3.5	7	0.5
4.3	M4	8	0.5
5.3	M5	10	0.6
6.4	M6	11	0.7
8.4	M8	15	0.8
10.5	M10	18	0.9
13	M12	20.5	1
15	M14	24	1
17	M16	26	1.2
21	M20	33	1.4
25	M24	38	1.5

FOR INFORMATION PURPOSES ONLY

©S&G Global Fastening Solutions  
LN Road ,Vadodara (Gujarat) India-390001  
(M) : 8460616032/9601299511

(E) : [info@sgglobal.in](mailto:info@sgglobal.in)  
[www.sgglobal.in](http://www.sgglobal.in)

Our Global Presence  
India | China | Canada