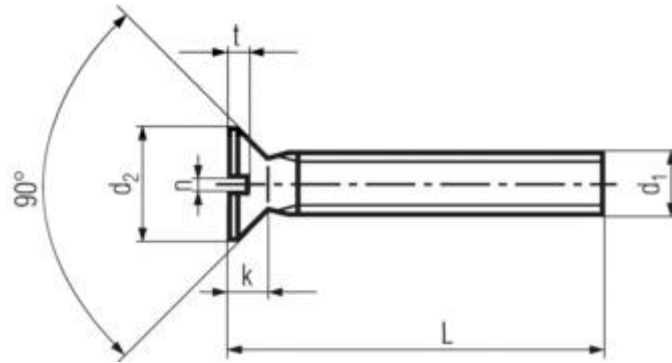


DIN 963 - Slotted Countersunk Head Machine Screws



All measurements in millimeters (mm)

d_1	d_2	k max.	n	t min.	Proof Load N
M1.6	3	0.96	0.4	0.32	370
M2	3.8	1.2	0.5	0.4	600
M2.3	4.5	1.3	0.6	0.4	850
M2.5	4.7	1.5	0.6	0.5	990
M2.6	5	1.5	0.6	0.5	1250
M3	5.6	1.65	0.8	0.6	1560
M3.5	6.5	1.93	0.8	0.7	2100
M4	7.5	2.2	1	0.8	2720
M5	9.2	2.5	1.2	1	4400
M6	11	3	1.6	1.2	6230
M8	14.5	4	2	1.6	11400
M10	18	5	2.5	2	18000
M12	22	6	3	2.4	26100
M16	29	8	4	3.2	48700

FOR INFORMATION PURPOSES ONLY

©S&G Global Fastening Solutions
 LN Road ,Vadodara (Gujarat) India-390001
 (M) : 8460616032/9601299511
 (E) : info@sgglobal.in
 www.sgglobal.in

Our Global Presence
 India | China | Canada