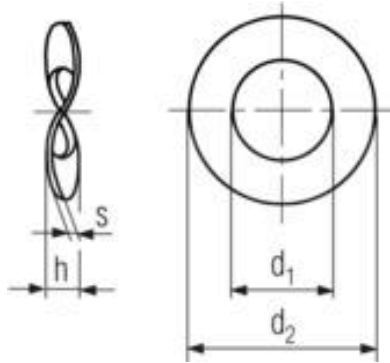


DIN 137B- Spring Washer, Waved Specifications



All measurements in millimeters (mm)

d ₁	used for	d ₂	s
3.2	M3	8	0.5
3.7	M3.5	8	0.5
4.3	M4	9	0.5
5.3	M5	11	0.5
6.4	M6	12	0.5
7.4	M7	14	0.8
8.4	M8	15	0.8
10.5	M10	21	1
13	M12	24	1.2
15	M14	28	1.6
17	M16	30	1.6
19	M18	34	1.6
21	M20	36	1.6
23	M22	40	1.8
25	M24	44	1.8
28	M27	50	2
31	M30	56	2.2
34	M33	60	2.2
37	M36	68	2.5

FOR INFORMATION PURPOSES ONLY

©S&G Global Fastening Solutions
 LN Road ,Vadodara (Gujarat) India-390001
 (M) : 8460616032/9601299511
 (E) : info@sgglobal.in
www.sgglobal.in

Our Global Presence
 India | China | Canada