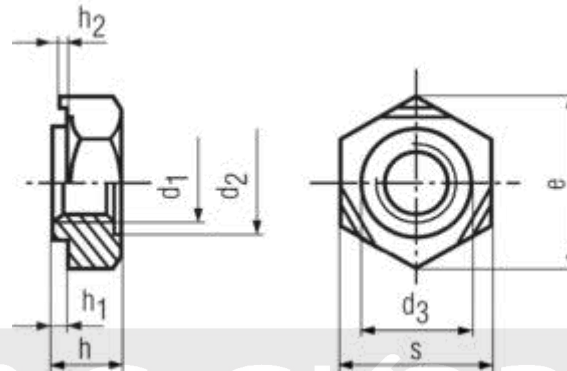


DIN 929 - Hexagon Weld Nuts



All measurements in millimeters (mm)

d ₁	d ₂ H13	d ₃ d11	h1		h2		h h14	s h13	Sheet Thickness		Proof Load N
									min.	max.	
M3	4.5	4.5	0.55	0	0.25	0	3	7.5	0.63	2.6	3800
M4	6	6	0.65	-0.1	0.35	-0.1	3.5	9	0.75	3	6800
M5	7	7	0.7		0.4		4	10	0.88	3.5	11000
M6	8	8	0.75	0	0.4		5	11	0.88	4	15500
M8	10.5	10.5	0.9	-0.15	0.5	0	6.5	14	1	4.5	28300
M10	12.5	12.5	1.15	0	0.65	-0.15	8	17	1.25	5	44800
M12	14.8	14.8	1.4	-0.2	0.8	0	10	19	1.5	5	65300
M14	16.8	16.8	1.8		1	-0.2	11	22	2	6	89700
M16	18.8	18.8	1.8		1		13	24	2	6	123000

FOR INFORMATION PURPOSES ONLY
 ©S&G Global Fastening Solutions
 LN Road ,Vadodara (Gujarat) India-390001
 (M) : 8460616032/9601299511
 (E) : info@sgglobal.in
 www.sgglobal.in

Our Global Presence
 India | China | Canada