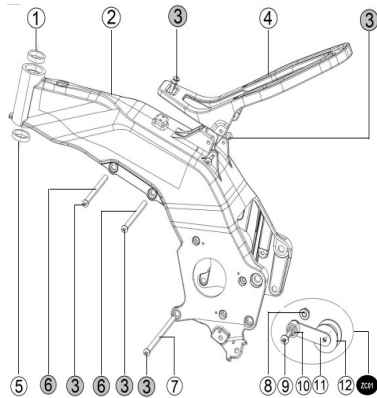


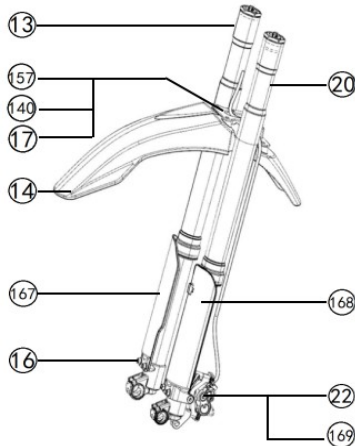


Frame, Seat bracket



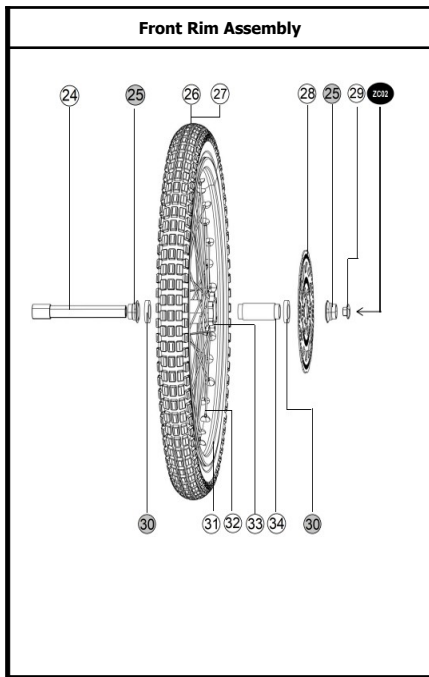
DRAWING NO.	PART NUMBER	DESCRIPTION	QTY	DETAILS	RETAIL
1	1600001	steering upper bearing	1	329/28	\$6.00
Optional*2	1700001	frame(black)	1	aluminum alloy	\$858.00
Optional*2	1700002	frame(Gray)	1	aluminum alloy	\$858.00
Optional*2	1700003	frame(Red)	1	aluminum alloy	\$858.00
Optional*2	1700029	frame(Camouflage)	1	aluminum alloy	\$942.00
3	011-0013	bolt M8×20	2	bolt, zinc-nickel alloy	\$0.60
4	500008	seat bracket	1	aluminum alloy-T6; matte black	\$117.00
5	1600018	Steering lower bearing	1	32906	\$6.00
6	1600005	battery upper installing shaft	2	hollow shaft outer diameter Ø12mm,	\$6.00
7	1600006	battery lower installing shaft	1	hollow shaft outer diameter Ø12mm,	\$6.90
ZC01	700015	Tensioner wheel assembly	1	Contains parts 10,11, and 12	\$18.00
8	011-0029	self-locking nut M10	1	GB6187.2-2000 lock nut ,zinc-nickel alloy:	\$0.60
9	011-0014	bolt M10×35	1	bolt M10×35, zinc-nickel alloy	\$1.20
10	1600010	Bushing	1	Inner diameter of bushing ø 10 * 21.5	\$1.50
10--1	700016	Tension wheel torsion spring	1	Army green, ø2.6, valid lap: 3	\$1.20
11	007-0001	Tensioner pulley bracket	1	black, fixing axle Ø8, with card, spring 1 pc	\$6.00
12	012-0008	Tensioner pulley	1	rubber with 2 bearings	\$9.30

Front shocks, Front brakes, fender



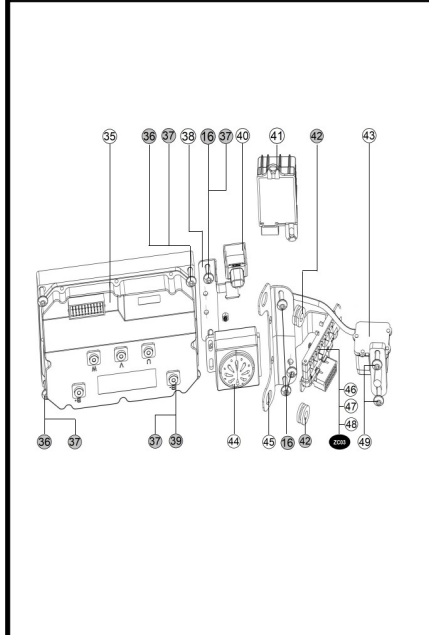
DRAWING NO.	PART NUMBER	DESCRIPTION	QTY	DETAILS	RETAIL
13	800002	Front right shock absorber	1	Aluminum alloy cylinder anodized black, fork tube ø38	\$375.00
14	2200006	Offroad front mud guard(black)	1	PP material, black pearl powder paint	\$18.90
Optional*14	2200007	Offroad front mud guard(Red)	1	PP material, black pearl powder paint	\$18.90
Optional*14	2200008	Offroad front mud guard(Camouflage)	1	PP material, black pearl powder paint	\$23.10
16	011-0005	bolt M6×12	6	bolt M6×12, stainless steel, with flat washer Ø6*18	\$0.60
17	011-0037	Flat mat ø6 * 18	4	GB6178 stainless steel	\$0.15
20	800001	front left shock absorber	1	black, fork tube Ø38, stroke 200mm	\$387.00
22	2100007	front hydraulic brake	1	4 large pistons, tube length 970mm	\$117.00
140	011-0034	Non-slip hexagon nut M 6	4	GB6178 stainless steel	\$0.15
157	700024	Off-road front fender bracket	1	2mm arc shaped tube, black electrophoretic spray	\$6.60
Optional*167	2200022	Front fork Left decorative cover(Black)	1		\$11.40
Optional*167	2200024.00	Front fork Left decorative cover(Red)	1		\$11.40
Optional*167	2200026	Front fork Left decorative cover(Camouflage)	1		\$13.80
Optional*168	2200023	Front fork Right decorative cover(Black)	1		\$11.40
Optional*167	2200025	Front fork Right decorative cover(Red)	1		\$11.40

Optional*168	2200027	Front fork Right decorative cover(Camouflage)	1		\$13.80
169	021-0001	Brake friction plate	1		\$15.00



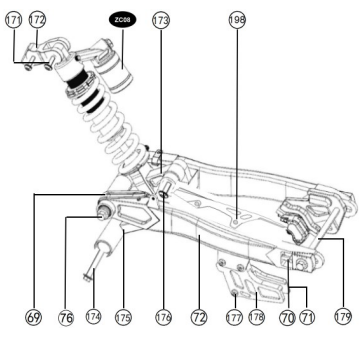
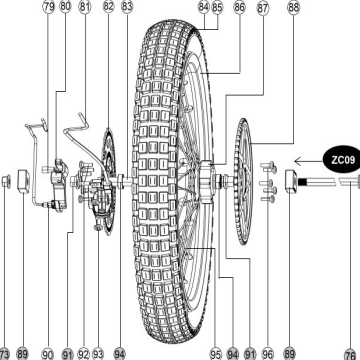
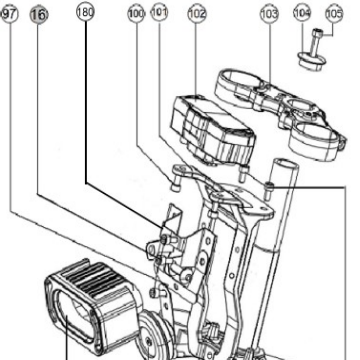
DRAWING NO.	PART NUMBER	DESCRIPTION	QTY	DETAILS	RETAIL
24	500007	front axle	1	aluminum alloy hollow shaft,	\$13.80
25	1600012	front wheel installing bush	2	aluminum alloy,	\$6.30
26	1000008	front outer tyre (offroad)	1	70/100-19 offroad	\$54.00
27	1000007	front inner tube (offroad)	1	2.75-19	\$10.50
28	2100006	Front brake disc	1	230mm (2.7mm) brake disc - 6	\$21.00
29	500019	front axle bolt	1	aluminum alloy, M14×1.5×15	\$3.60
ZC2	900001	front rim assembly	1	Contains components 30,31,32,33 and 34	\$186.00
30	009-0005	front wheelbearing	2	61805-RS	\$5.40
31	009-0001	Front wheel aluminum alloy rim	1	black, aluminum alloy rim 1.6×19	\$99.00
32	009-0007	front wheelspoke and nut	36	spoke Ø2.6;	\$40.50
33	009-0003	front wheel rim	1	aluminum alloy wheel disc brake	\$29.40
34	009-0009	Front hub liner	1	Aluminum alloy, black	\$9.00
					\$0.00

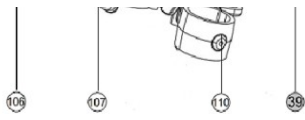
Drive controller, Anti-theft device, Handlebar lock, DCDC converter



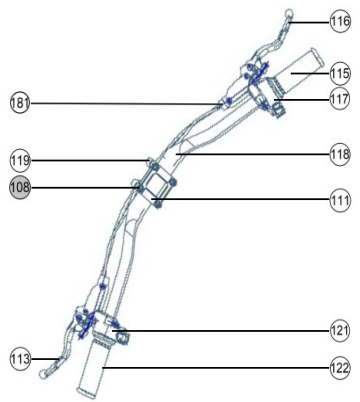
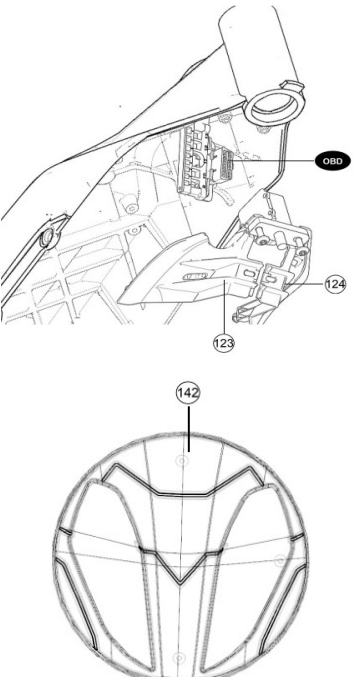
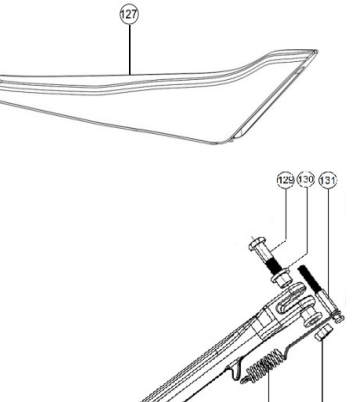
DRAWING NO.	PART NUMBER	DESCRIPTION	QTY	DETAILS	RETAIL
35	100001	Controller	1	4KW, aluminum alloy base plate	\$705.00
36	011-0011	bolt M6×20	4	Bolt M6×20, zinc-nickel alloy	\$0.24
37	011-0035	Bullet pad Ø6	4	GB93-1987, Stainless steel	\$0.06
38	700008	Alarm bracket	1	bolt 2-M6*12	\$3.00
16	011-0005	bolt M6×12	2	bolt M6×12, stainless steel	\$0.60
39	011-0009	bolt M6×12	2	Inner plum head bolt M 6 × 12	\$0.18
40	400003	flasher	1	model M11 LH10702	\$9.00
41	400002	DCDC converter	1	model: ZH17-OD-4 48/72V-12V	\$12.60
42	012-0006	I-shaped glue	2	rubber, outer circle 18,	\$0.09
43	400005	direction lock	1	4-pin stepper motor, waterproof plug;	\$26.40
44	400012	Alarm controller	1		\$24.30
45	700002	Integrated wire fixing bracket	1	black	\$6.30
ZC03		Electrical plug-in assembly	1	Contains parts 46,47, and 48	\$9.00
49	011-0010	bolt M6×16	2	zinc nickel alloy	\$0.21

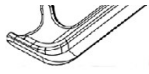
Motor, Pedal, Chain		DRAWING NO.	PART NUMBER	DESCRIPTION	QTY	DETAILS	RETAIL	
	3	011-0013	bolt M8×20	6	bolt, zinc-nickel alloy	\$0.60		
	19	011-0016	bolt M6×9	2	M6 × 9, zinc-nickel alloy	\$0.30		
	50	011-0040	pedal pin	2	Stainless steel Ø8×45,	\$1.20		
	51	200001	Motor	1	model:DMA006-HH	\$780.00		
	52	1900004	chain	1	golden 420-130	\$15.00		
	53	1900003	front sprocket cleat	1	trivalent color, installing holes 2-Ø6.2	\$3.00		
	ZC04		Front left pedal assembly	1	Contains components 50,54, 56, 57and 61	\$34.50		
	54	500004	left pedal	1	aluminum alloy, anodized	\$17.40		
	55	011-0047	bolt M10×50	2	bolt M10×50 GB/T 70.1 -2000 zinc-nickel alloy	\$1.50		
	56	500017	left pedal base	1	aluminum alloy	\$13.50		
	57	011-0056	Open retainer ring	2	Stainless steel	\$0.09		
	58	1600008	Pedal fixing shaft	1	outer diameter 16mm, shaft length 231	\$12.00		
	59	1900001	front sprocket	1	420-15 teeth,	\$3.90		
	60	500018	right pedal fixing bracket	1	aluminum alloy	\$13.50		
	61	700017	pedal torsion spring	2	Ø2*3,	\$0.30		
	62	500005	right pedal	1	aluminum alloy	\$17.40		
	ZC05		Front right pedal assembly	1	Contains components 50, 57, 60, 61 and 62	\$34.20		
	170	011-0067	Bullet pad Ø6	6	GB93-1987, Stainless steel	\$0.09		
	Battery		DRAWING NO.	PART NUMBER	DESCRIPTION	QTY	DETAILS	RETAIL
		49	011-0010	bolt M6×16	2	zinc nickel alloy	\$0.24	
64		300003	positive discharge wire	1	M23 self-locking	\$45.00		
64		300004	negative discharge wire	1	M23 self-locking/2	\$30.00		
65		003-0001	vent plug	1	alloy cover	\$6.00		
66		003-0002	Charger interface	1	Special charging socket	\$48.00		
67		500012	Battery bottom protective cover	1	aluminum alloy-T6, matte black	\$90.00		
Optional*ZC06		300007	lithium battery pack 60A	1	alloy cover, 72V60AH;Contains components 65,66	\$4,755.00		
Optional*ZC06		300001	lithium battery pack 48A	1	alloy cover, 72V48AH;Contains components 65,66	\$4,155.00		
Optional*ZC06		300002	lithium battery pack 32A	1	alloy cover, 72V32AH;Contains components 65,66	\$3,045.00		
Optional*ZC06		300006	lithium battery pack 30A	1	alloy cover, 72V30AH;Contains components 65,66	\$2,220.00		
Optional*200		003-0004	Battery BMS (48A\ 32A)	1		\$345.00		
Optional*200		003-0005	Battery BMS (30A)	1		\$249.00		

Rear fork, Swing-Arm, Rear Fender		DRAWING NO.	PART NUMBER	DESCRIPTION	QTY	DETAILS	RETAIL	
	ZC08	800015	rear shock absorber assy.	1	center distance 345mm,	\$261.00		
	69	012-0007	chain clip	1	rubber	\$9.60		
	70	011-0062	chain adjustment bolt	2	Chain adjusting bolt,	\$1.50		
	71	011-0063	Nut M 8 * 10	2	Regulator bolts,	\$0.99		
	72	008-0011	fork assembly	1	Aluminum alloy	\$240.00		
	76	1600007	Fork shaft	1	shaft outer diameter 12mm	\$15.00		
	171	011-0061	Bolt M 8 × 50	1	Inner plum head bol	\$0.90		
	172	800019	Back subtracting mounting seat	1	Aluminum alloy	\$27.60		
	173	800016	Triangle cradle	1	Aluminum alloy, natural color anodized	\$54.00		
	174	800018	Rocker connecting rod shaft	1	40 chrome steel, trivalent colored zinc	\$13.80		
	175	800017	Rocker connecting arm	1	Aluminum alloy, t-shaped	\$78.90		
	176	011-0068	Bolt M10 × 70	2	M10 × 70, half tooth	\$2.10		
	177	011-0019	Bolt M6 × 30	3	Hexagon pan head bolt M 6 × 30	\$0.66		
	178	1200003	Chain Guide	1	Black, Rui Feng Code 5-548;	\$12.00		
	179	1600017	Rear wheel mounting shaft	1	8mm inner hexagonal, 20mm diameter shaft head	\$13.80		
	198	600029	Chain Box		PP material	\$6.00		
	Rear Wheel Assembly		DRAWING NO.	PART NUMBER	DESCRIPTION	QTY	DETAILS	RETAIL
		73	011-0030	Self-locking nuts M12×1.25	1	nut GB6187.2-2000 zinc	\$0.48	
		76	1600007	Rear wheel mounting shaft	1	sh	\$14.40	
79		1600009	Rear disc brake limit bolt	1	45 steel quenched and tempered.	\$2.38		
80		500006	rear brake fixing bracket	1	aluminum alloy, anodized	\$22.20		
81		2100003	rear hydraulic brake	1	4 counter-floating piston	\$114.00		
82		2100005	Rake disc	1	203mm (2.7mm)	\$19.50		
83		009-0010	Rear hub inner tube	1		\$12.00		
84		1000013	Rear inner tyre(offroad&Road)	1	Specification: 90/100 -16 t/TK783_off-road tire	\$75.00		
85		1000014	Rear outer tyre (offroad)	1	Model: 3.25-16	\$11.40		
86		009-0020	Rear aluminum alloy wheel rims	1	black, aluminum alloy ring 2.15×16	\$105.00		
87		009-0004	rear wheel hub	1	aluminum alloy, anodized	\$70.50		
88		1900002	rear sprocket	1	420-62 teeth	\$114.00		
89		500003	chain adjustment lock	2	aluminum alloy,	\$5.40		
91		1600013	rear wheel fixing bush	2		\$8.40		
92		011-0069	Bolt M6×12	6	black zinc	\$0.30		
93		011-0018	Rear brake mounting bolt M 6 × 25	2	black zinc	\$0.48		
94		009-0006	rear wheel bearing	2	6001-2RS	\$4.05		
95		009-0008	Rear wheel spokes and nuts	1	spoke Ø2.6;	\$37.50		
96		011-0022	Step bolt M6×18	5	screws GBT70.2, zinc-nickel alloy	\$1.50		
ZC09		900005	the Rear rim assembly	1	Contains components 83, 86, 87, 94 and 95	\$216.00		
Headlight, Steering, Speedometer		DRAWING NO.	PART NUMBER	DESCRIPTION	QTY	DETAILS	RETAIL	
		16	011-0005	bolt M6×12	6	bolt M6×12, stainless steel	\$0.60	
	39	011-0009	bolt M6×12	3	Inner plum head bolt M 6 × 12	\$0.18		
	97	700011	horn bracket	1	black	\$3.00		
	100	011-0032	nut	2	black zinc-nickel alloy M6	\$0.36		
	101	500009	speedometer	1	aluminum alloy, surface coating color matte black.	\$27.00		
	102	400011	speedometer assy.	1	digital LCD	\$75.00		
	103	800005	upper link board	1	aluminum alloy forgings, anodized	\$45.00		
	104	800007	steering lock cover	1	aluminum machined, anodized black	\$2.70		
	105	011-0019	bolt M6×30	1	M6×30 zinc-nickel	\$0.66		



106	1800005	Head light assy.	1	LED-45KM European standard:	\$72.00
107	400014	horn	1	with cover black	\$2.40
110	800004	steering assy.	1	aluminum alloy	\$81.00
180	700032	Headlight turn signal bracket	1	electrophoretic primer, surface water transfer	\$3.30

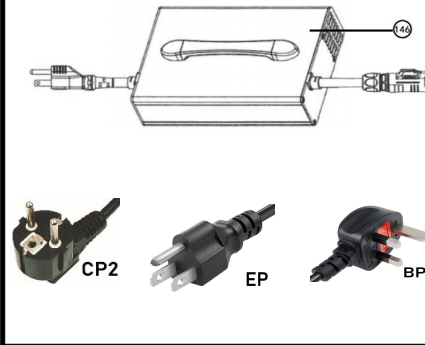
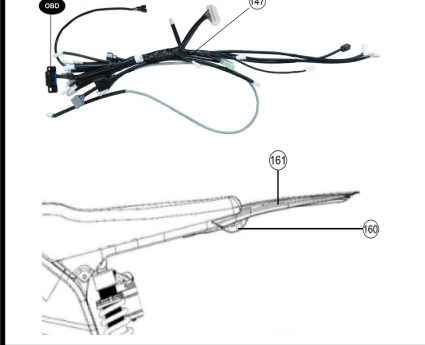

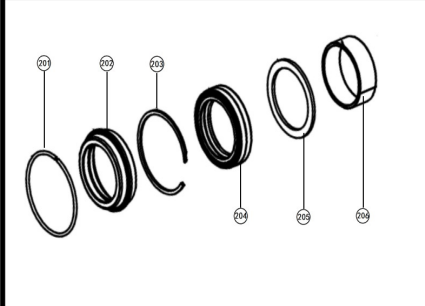

Handlebars Switch Gear	DRAWING NO.	PART NUMBER	DESCRIPTION	QTY	DETAILS	RETAIL	
	108	011-0017	bolt M6×20	4	Inner club head bolt M 6 × 20	\$0.54	
	111	500016	handlebar lock cover	1	aluminum alloy , black anode;	\$9.60	
	113	021-0003	left brake lever	1	aluminum alloy, surface: black	\$6.60	
	115	1200002	right hand grip	1	rubber, big bore	\$9.00	
	116	021-0004	right brake lever	1	aluminum alloy, surface black	\$6.60	
	117	400009	Right speed control switch	1	Entertainment mode, energy recovery, N/D gear, E/S button	\$33.00	
	118	500001	handle bar	1	aluminum alloy variable	\$33.00	
	119	500002	handlebar base	1	aluminum alloy	\$33.00	
	121	400008	left switch assy.	1	Headlight, turn signal, horn switch	\$19.20	
	122	1200001	left hand grip	1	rubber, small bore	\$9.00	
	181	021-0007	brake switch	2	line length 700mm	\$8.40	
	Integrated terminal block	DRAWING NO.	PART NUMBER	DESCRIPTION	QTY	DETAILS	RETAIL
		123	600007	Right Maintenance bin cover	1	PP , black matte	\$3.90
124		600006	Left maintenance bin cover	1	PP , black matte	\$3.60	
142		600028	Off-road trim cover	2	PP , pearl powder black paint	\$15.00	
Seat , Tail light assembly		DRAWING NO.	PART NUMBER	DESCRIPTION	QTY	DETAILS	RETAIL
	127	2000001	seat	1	black base plate, white foam, Vientiane leather	\$48.00	
	8	011-0029	self-locking nut M10	1	GB6187.2-2000 lock nut ,zinc-nickel alloy:	\$0.36	
	129	011-0021	bolt M10×40	1	Special side bracket bolts M10×40	\$3.60	
	130	1600015	side stand bracket bush	2	Tube Round, Black	\$1.20	
	131	1600011	spring hook bolt	1	shaft diameter 10mm	\$6.00	
	132	500011	side stand	1	aluminum alloy-T6,	\$24.60	
	133	700012	Side stand spring	1	double spring,	\$1.20	



132

133

8

Battery Charger	DRAWING NO.	PART NUMBER	DESCRIPTION	QTY	DETAILS	RETAIL
	146	400032	Battery Charger	1	Portable - 72V 15A USA	\$330.00
	CP2		European standard plug	1		\$6.60
	EP		American standard plug	1		\$6.60
	BP		British standard plug	1		\$6.60
Wiring Harness	DRAWING NO.	PART NUMBER	DESCRIPTION	QTY	DETAILS	RETAIL
	147	400015	Main wireharness	1	Special design - waterproof joint;	\$108.00
	160	700026	Rear Fender bracket for off-road vehicle	1		\$11.40
	161	2200009	Off-road rear fender	1		\$12.00
CAN	DRAWING NO.	PART NUMBER	DESCRIPTION	QTY	DETAILS	RETAIL
	1	1500010		1		\$150.00
Front damping oil seal	DRAWING NO.	PART NUMBER	DESCRIPTION	QTY	DETAILS	RETAIL
	201		C buckle	1		\$1.20
	202		Dust-proof seal	1		\$3.90
	203		C-buckle	1		\$1.80
	204		Oil seal	1		\$4.68
	205		Gasket	1		\$0.90
	206		Self-moistening bearing	1		\$5.10
Instrument Cluster	DRAWING NO.	PART NUMBER	DESCRIPTION	QTY	DETAILS	RETAIL
	102	400041	speedometer assy.	1	TFT full color instrument	\$147.00