




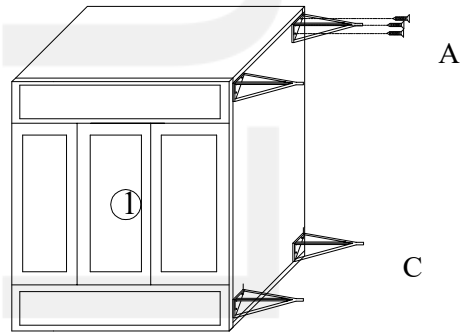
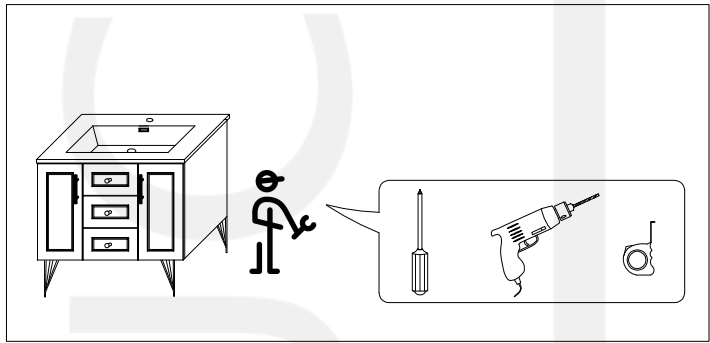


LUC-005

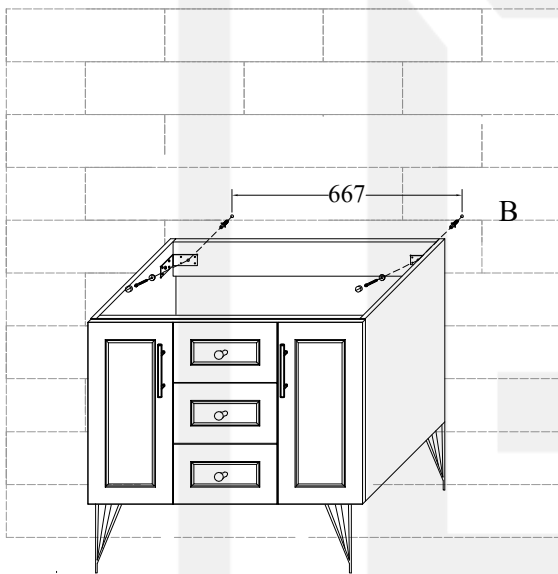
Instalation manual

Unit: mm

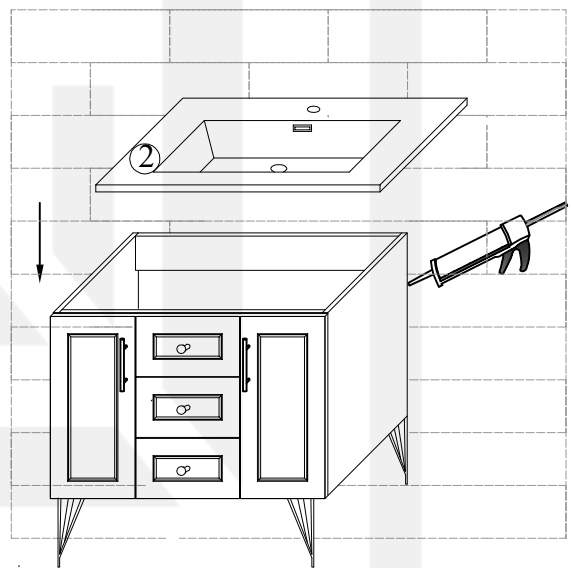
Accessories	NO.	QTY
	①	1
	②	1
 φ4 x 14	A	12
 M6×60mm	B	2
	C	4



1



2



3