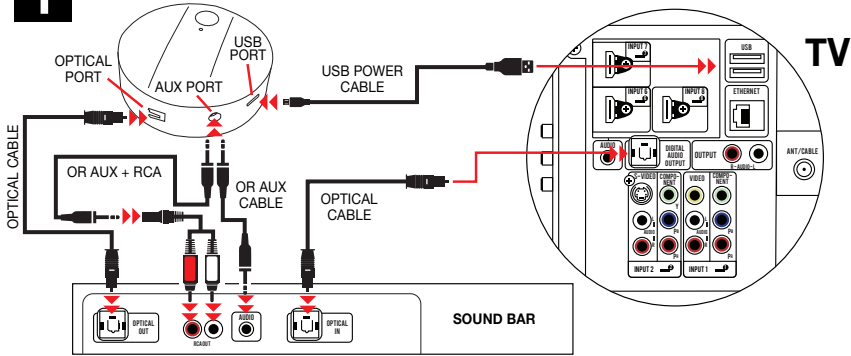


SOUND BAR QUICK START GUIDE

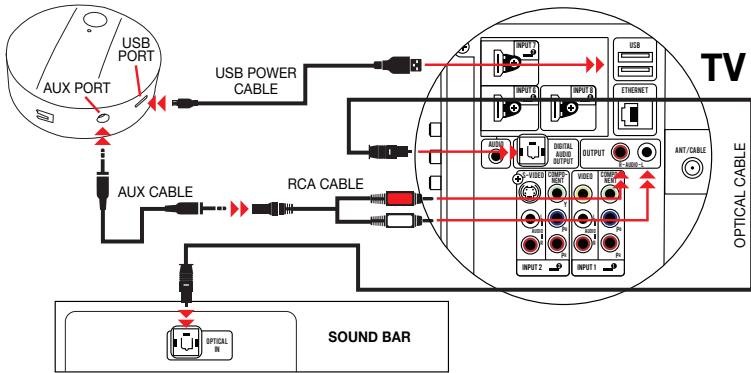
When using a sound bar with your TV, there are 3 installation options for the Own Zone™ wireless headphones. Choose the option that works best with your TV/Sound Bar configuration, starting with the first option.

1 SOUND BAR WITH AUX/RCA/OPTICAL AUDIO OUT PORT



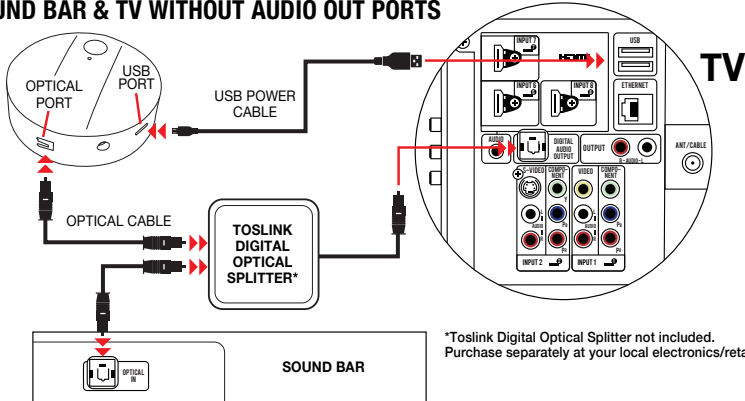
If your sound bar does not have an audio output port, check your TV for RCA output ports. Follow these instructions. The soundbar will connect using an optical cable, and the transmitter will connect using the included RCA and AUX cables.

2 SOUND BAR & TV USING MULTIPLE AUDIO OUTPUT PORTS



If your TV and sound bar only have an optical output port (no RCA output ports), you can purchase a Digital Optical Splitter (not included) to connect the Own Zone™ transmitter and sound bar simultaneously.

3 SOUND BAR & TV WITHOUT AUDIO OUT PORTS



*Toslink Digital Optical Splitter not included. Purchase separately at your local electronics/retail store.