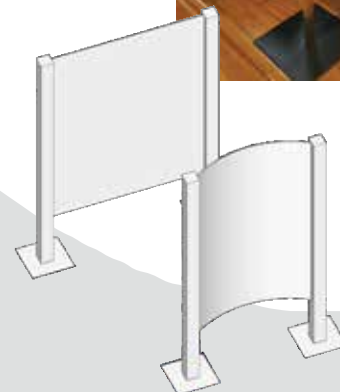
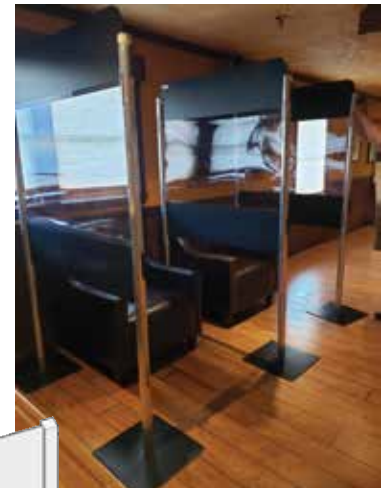




Legacy ClearlySafe Partitions are designed to aid in social distancing within public spaces. Our Transparent systems will provide your customers with the confidence to return to their active, social lifestyle at places such as the gym, restaurant, office and retail locations. The applications are practically endless. ClearlySafe Partitions are simple to assemble, cleanable, functional and easy to store.

Features & Benefits

- Free Standing
- Quick Setup and Breakdown
- No Tools or Ladders Required
- Lightweight
- Tip Resistant Stanchions
- Quick and Easy Alteration of shape to Configure to Multiple needs in one Location.
- Ability to Mount Sanitizers and Wipe Dispensers.
- Clear Panels can be Decorated with Graphics.

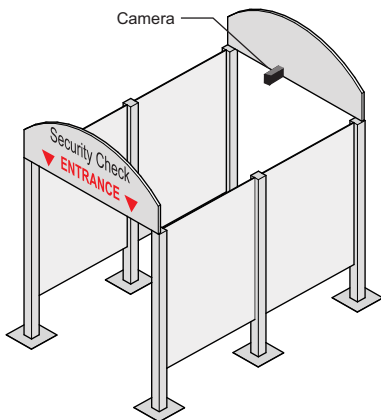


ClearlySafe

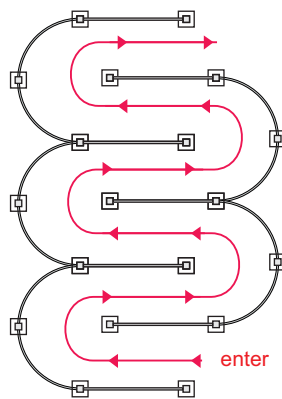
Partition System



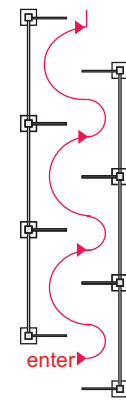
legacysign.net/clearlysafe



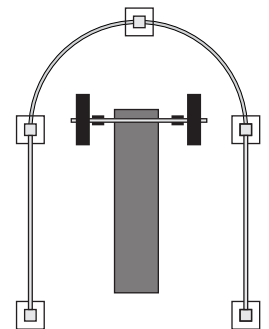
Security Configuration



Security Line Configuration



Staged Line Configuration



Gym Equipment Configuration

610.245.9500 • info@legacysign.net

LEGACY SIGN COMPANY INC.

3344 Market St. Suite G Aston, PA 19014