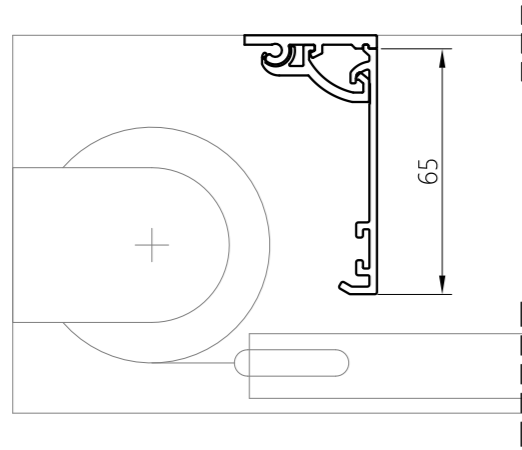
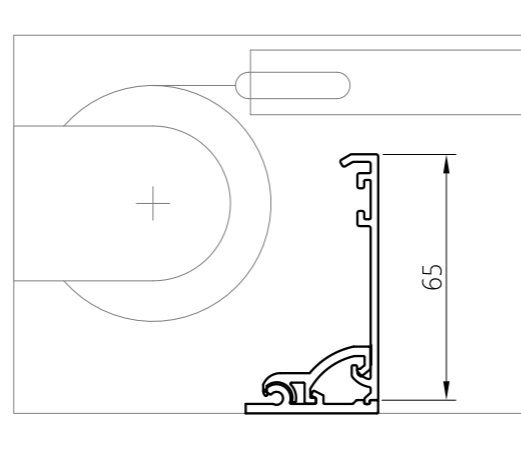


Blindspace® Standard Wall Mount for Skylights

SWM + C65 Hanging



SWM + C65 Standing



1:2 scale

PRODUCT REFERENCE

SWM + COVER STANDARD WALL MOUNT

Product	Standard Wall Mount for Skylights
Description	Wall mount and cover plates to conceal blinds in existing ceiling cavity or be used as pelmet to hide blinds.
Blind sizes	Please see size chart and supplier details for blind sizes such as max. width, height and area.
Finishes	Provided in RAL 9016 (white) Optional powder coating to other RAL colours available.
Material	Powder Coated Aluminium, EN 6063 T6
Optional accessories	Splice plate (to align covers) Covers in various widths
Length	6000mm Cut to size for shorter lengths. Spliced together for longer lengths.
Installation	Wall Mount to be fixed with countersunk screws every 200mm through back into appropriate backing. Wall mount and cover to be installed flush with wall or ceiling finish surface.
Print date	2023/07/14
Page size	ISO A3 420x297
Print file	blindspace standard wall mount for skylights.dwg

COVER SIZE OPTIONS

Covers can be cut to fit custom conditions.

