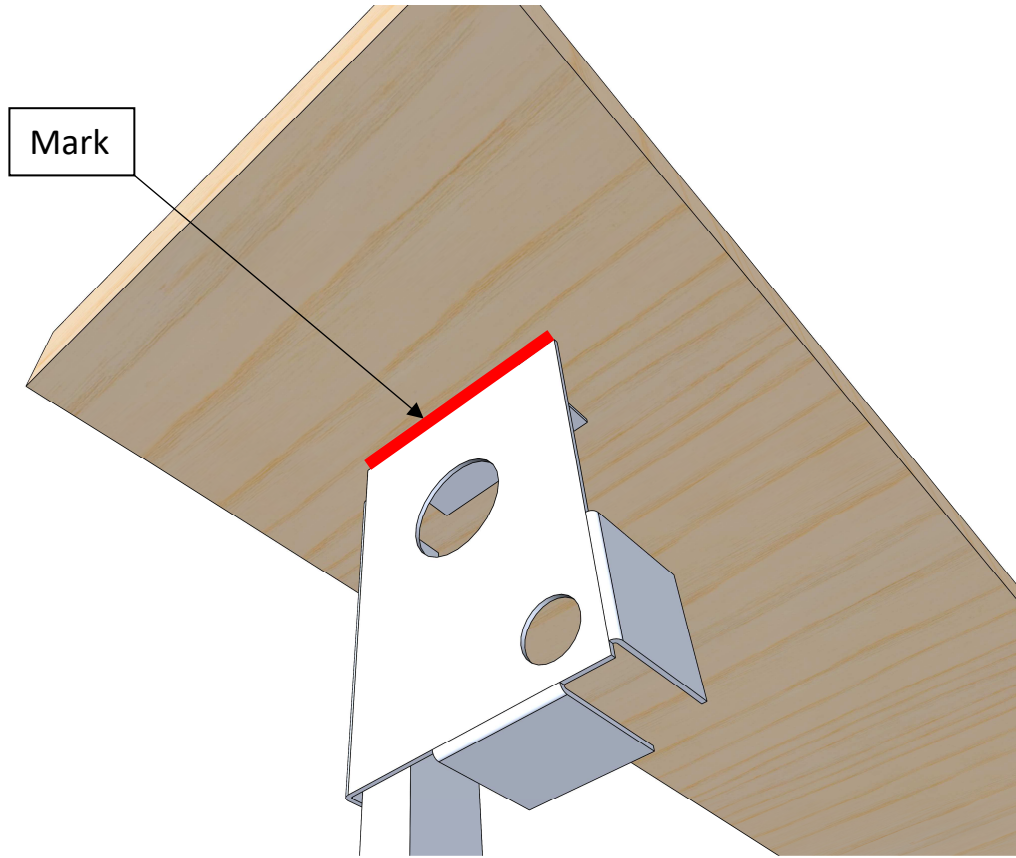
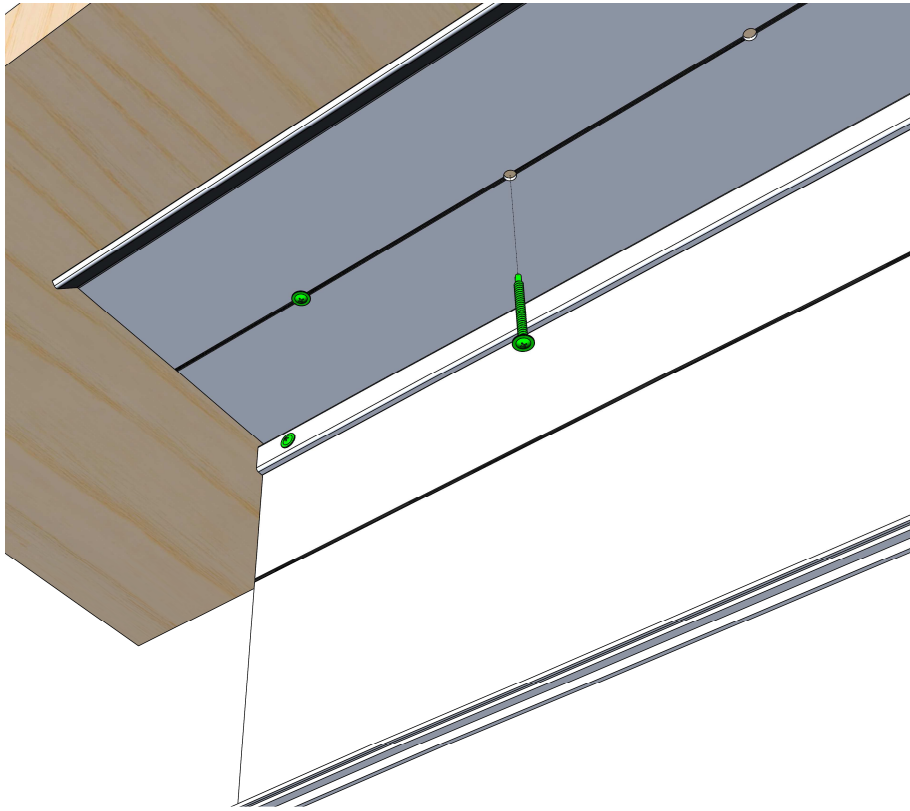


Step 1: Plumb U-channel and BuilderBrackets.

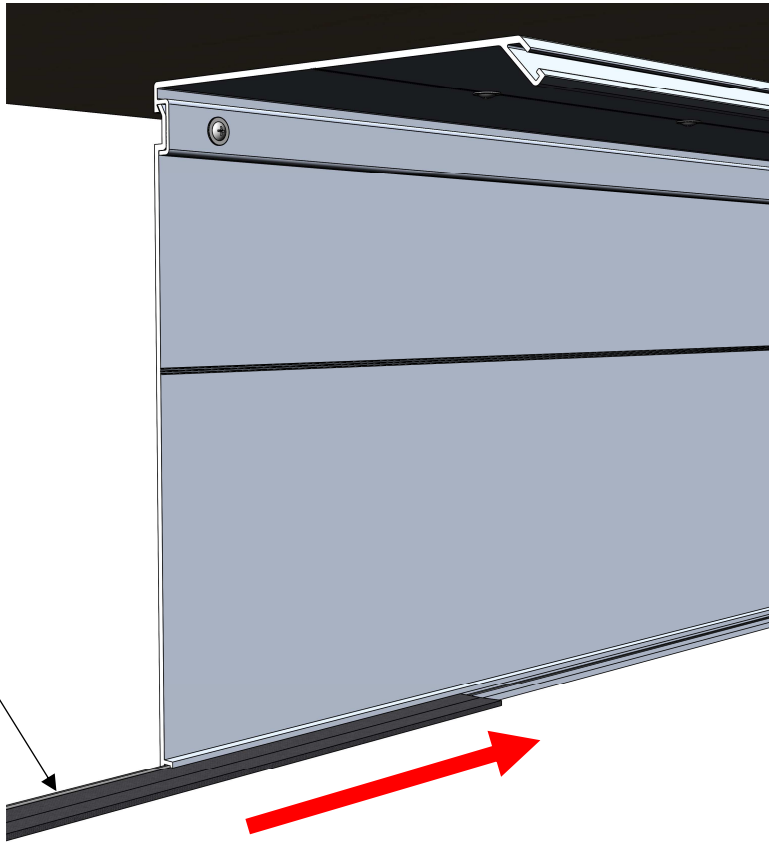


Step 2: Mark ceiling on back side of BuilderBrackets on both ends of opening.

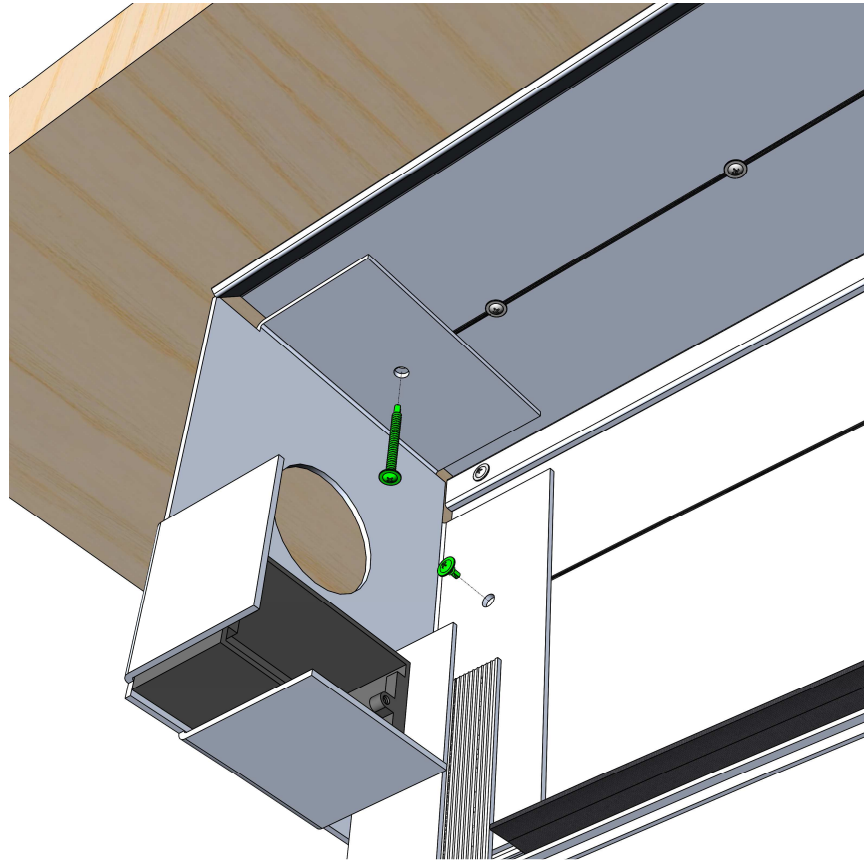


Step 3: Cut back and top of canister to width of marks. Snap pieces together and screw to ceiling on full length of opening.

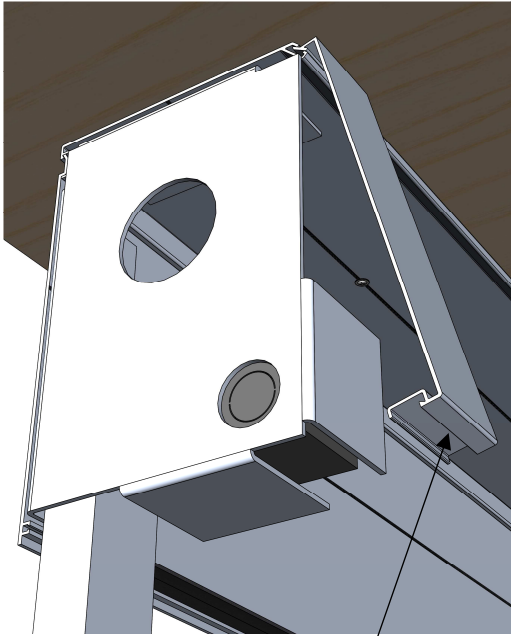
Weatherstripping



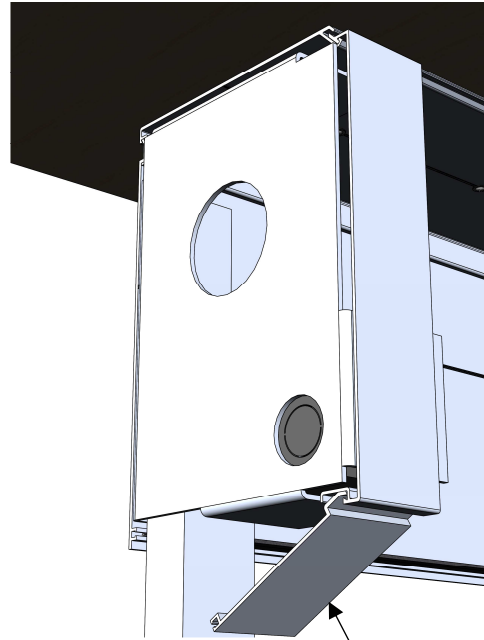
Step 4: Slide pile weatherstripping in.



Step 5: Plumb and Mount BuilderBracket and U-channel on both ends.

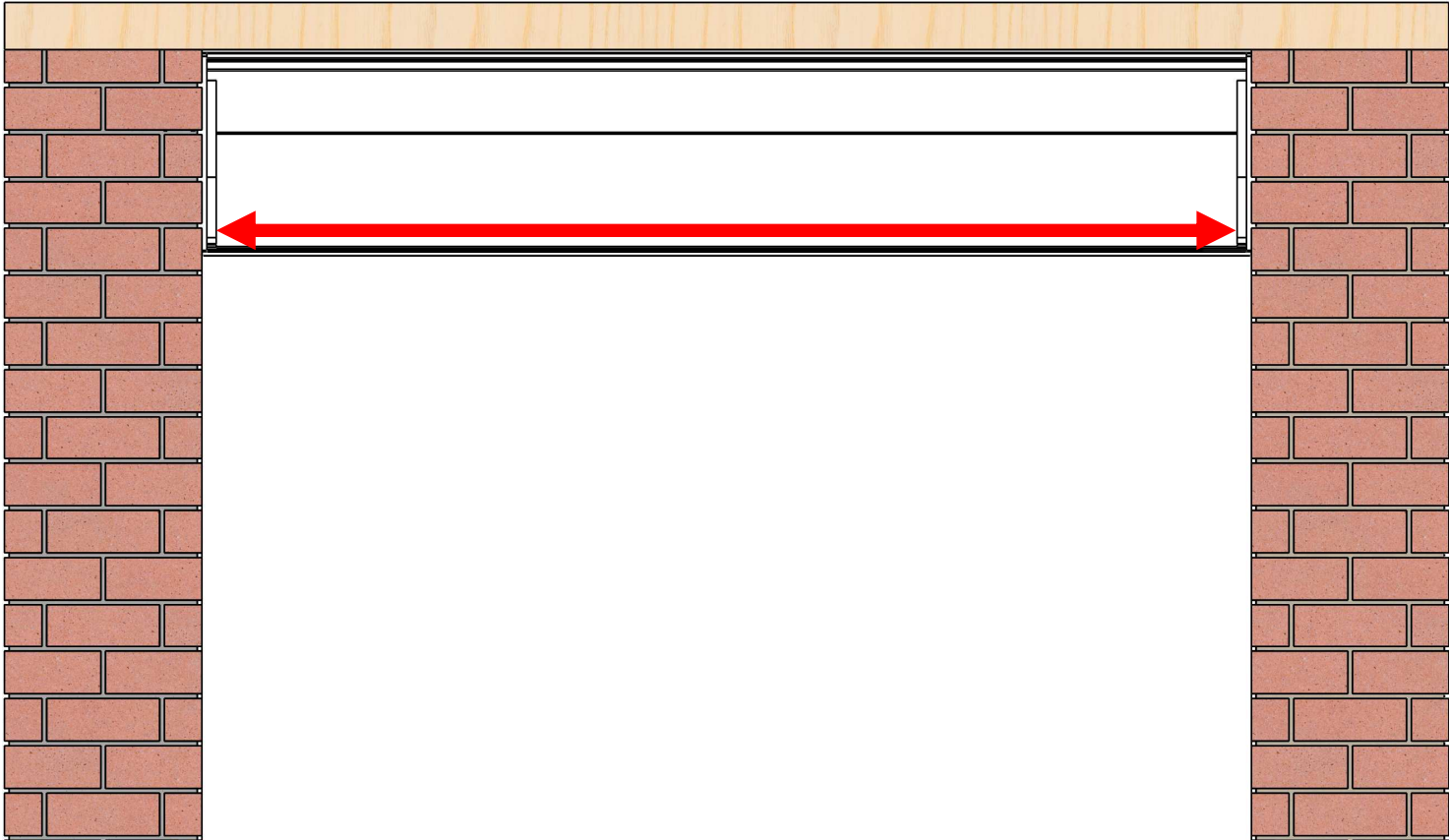


Removable Front

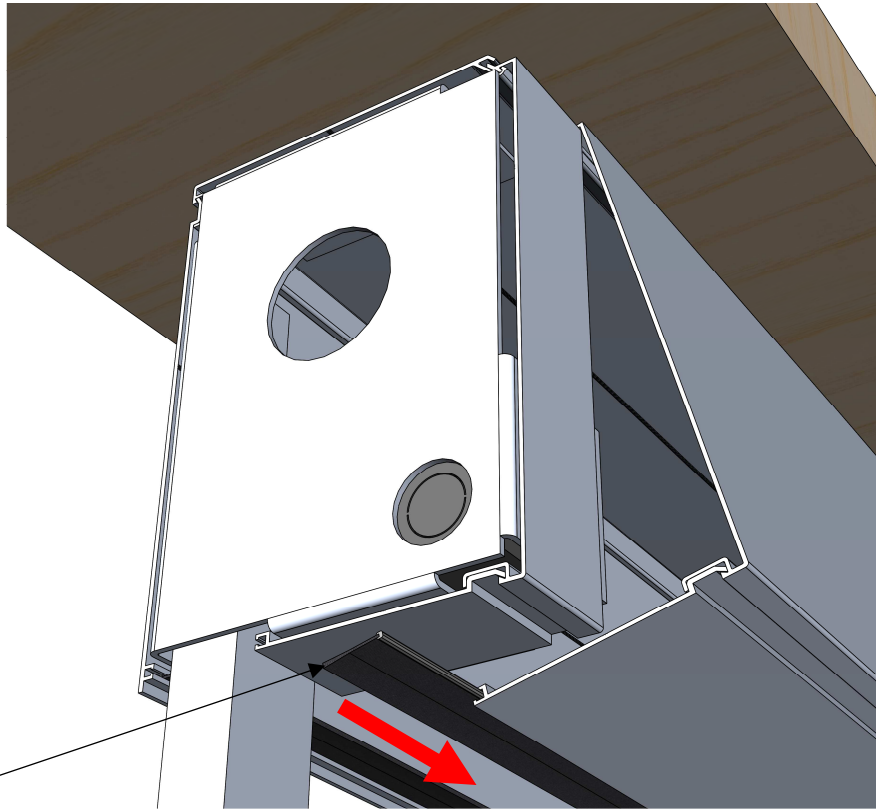


Removable Bottom

Step 6: Cut Removable bottom and front cover $\frac{1}{4}$ " wider than U-channel and place over BuilderBracket.

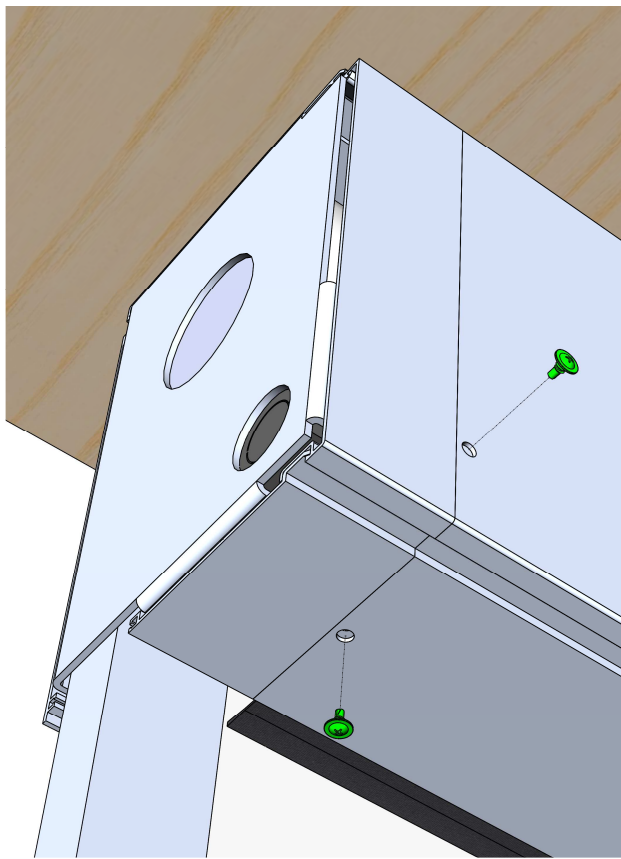


Step 7: Measure gap and cut front and bottom cover to fit.



Weatherstripping

Step 8: Insert pile weatherstripping on assembled bottom and front cover and snap into place. Trim weatherstripping as needed. Brick omitted for clarity.



Step 9: Secure both ends of cover.