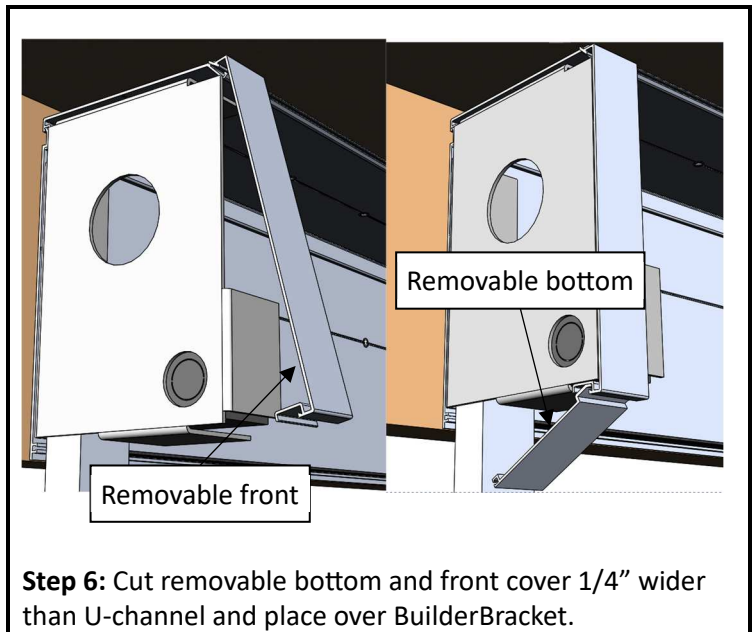
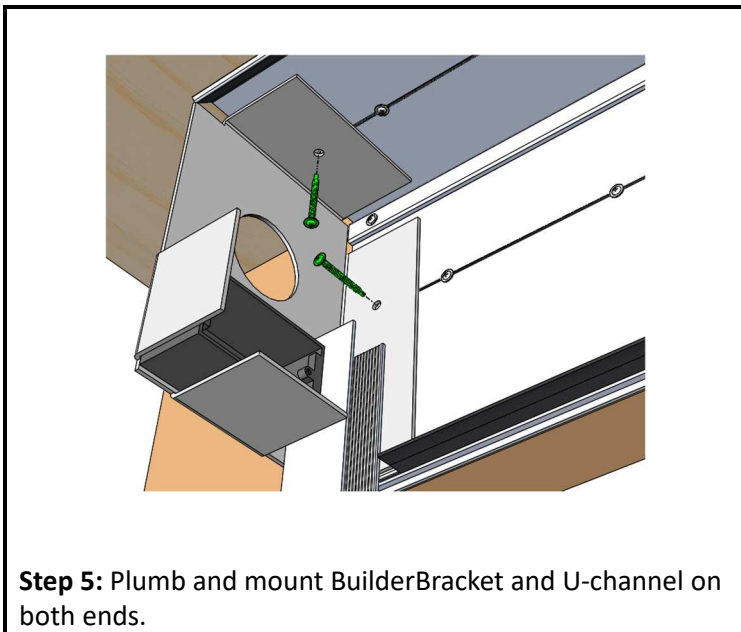
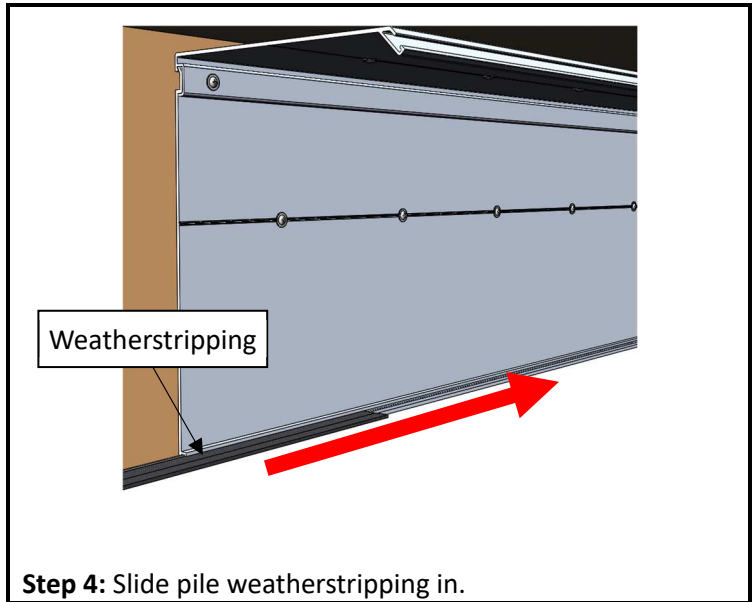
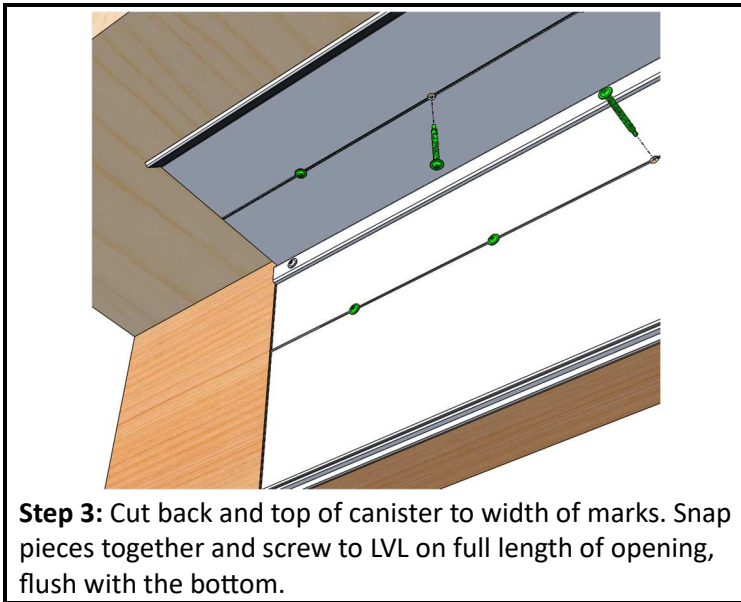
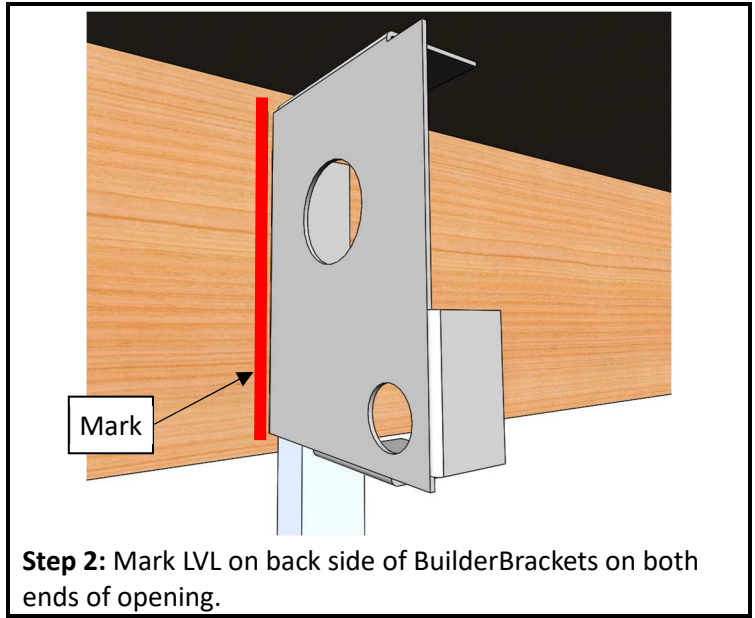
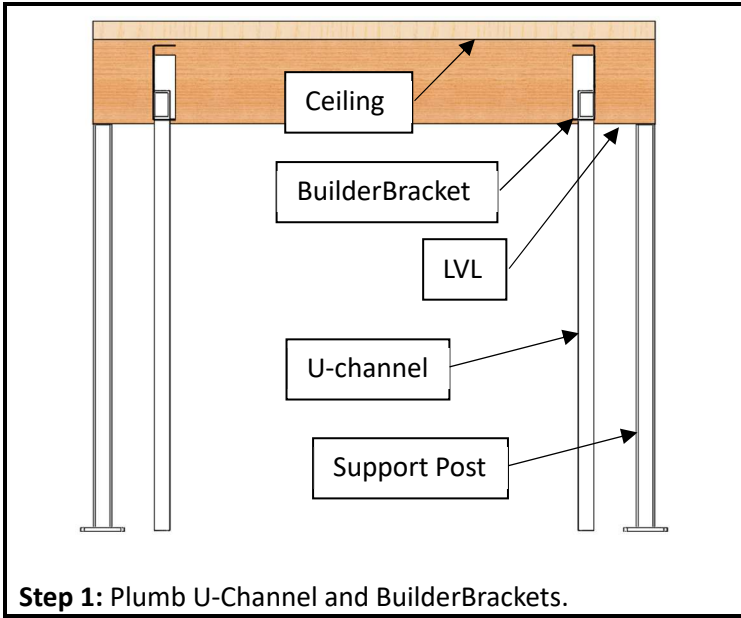
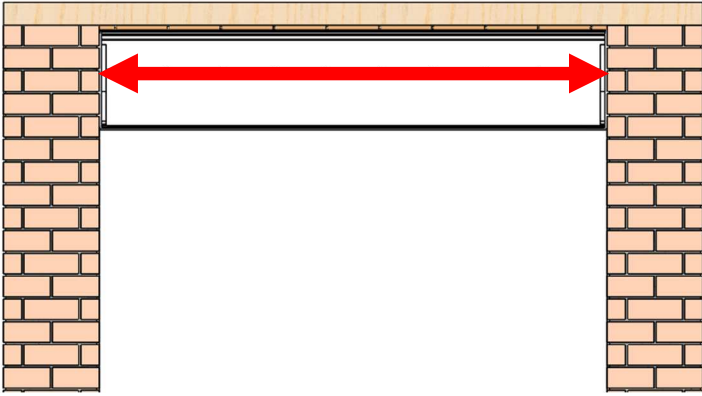


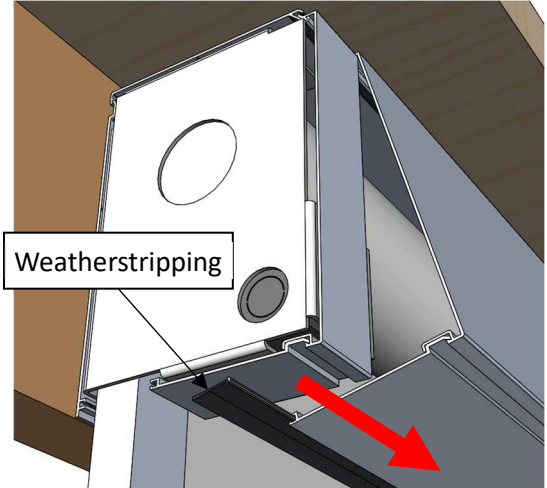
LVL MOUNT INSTRUCTIONS



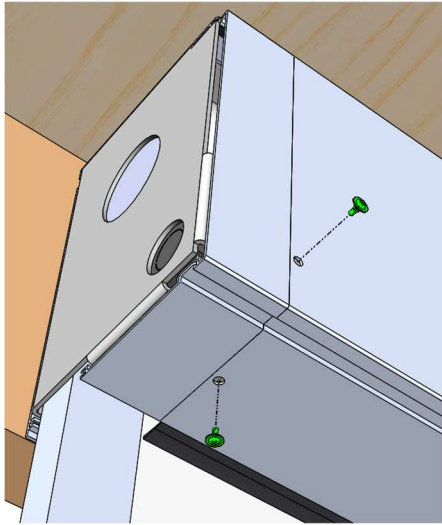
LVL MOUNT INSTRUCTIONS



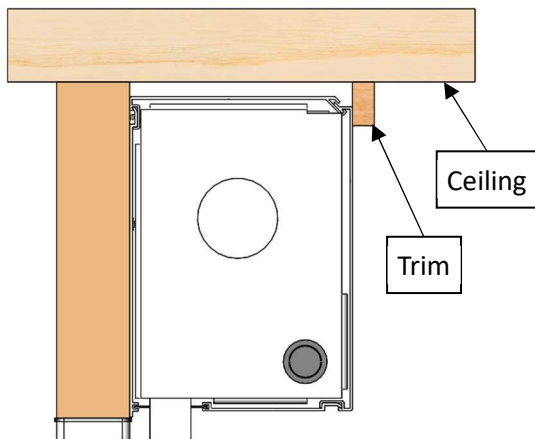
Step 7: Measure gap and cut front and bottom cover to fit.



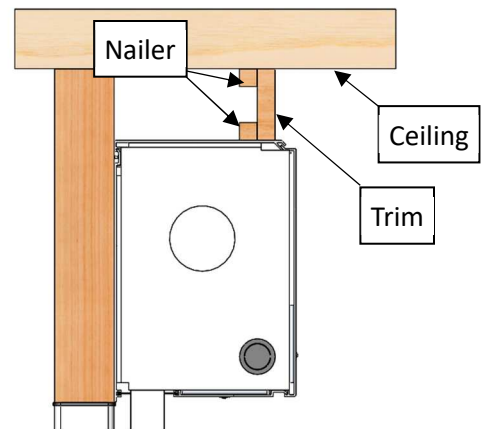
Step 8: Insert pile weatherstripping on assembled bottom and front cover and snap into place. Trim weatherstripping as needed. Bricks omitted for clarity.



Step 9: Secure both ends of cover.



Step 10a: If gap exists between ceiling and canister, install trim piece.



Step 10b: If wider gap exists between ceiling and canister, screw through top of canister to nailer.