

SPEEDFRAC

LINER TOP/PRODUCTION PACKER

Casing Size (in)	Casing Wt. lb/ft	Maximum OD (in.)	Minimum ID (in.)	Maximum Temp (°F)	Working Pressure psi	End Connections
7.00	17-26	6.000	4.000	300	10,000	4 1/2" LTC
	29-32	5.875				
9.625	36 - 53.5	8.125	5.500	250	8,000	6 5/8" LTC
			5.000			5 1/2" LTC

FEATURES:

- Field proven, Hydraulically activated
- Two (2) opposing sets of full circumference slips
- Expandable metal back-up ring to reduce element extrusion
- Full bore opening with no restrictions
- Internal locking mechanism for no loss in setting force
- One (1) piece mandrel design
- P110 material construction
- Can be run as a liner top or production packer
- Standard LTC threaded connections

The **SPEEDFRAC StimStac Liner Top/Production Packer** hydraulic set, permanent packer is a reliable one trip production packer that can be used in single or multi-zone completions. The packer can be run and set in straight or deviated wellbores where it is used to anchor the completion within an intermediate casing string and provide annular isolation from the wellbore below. This versatile design is generally used with the **SPEEDFRAC** Horizontal Completion System by where it can be run as either a liner top or monobore packer assembly.



Office Location:

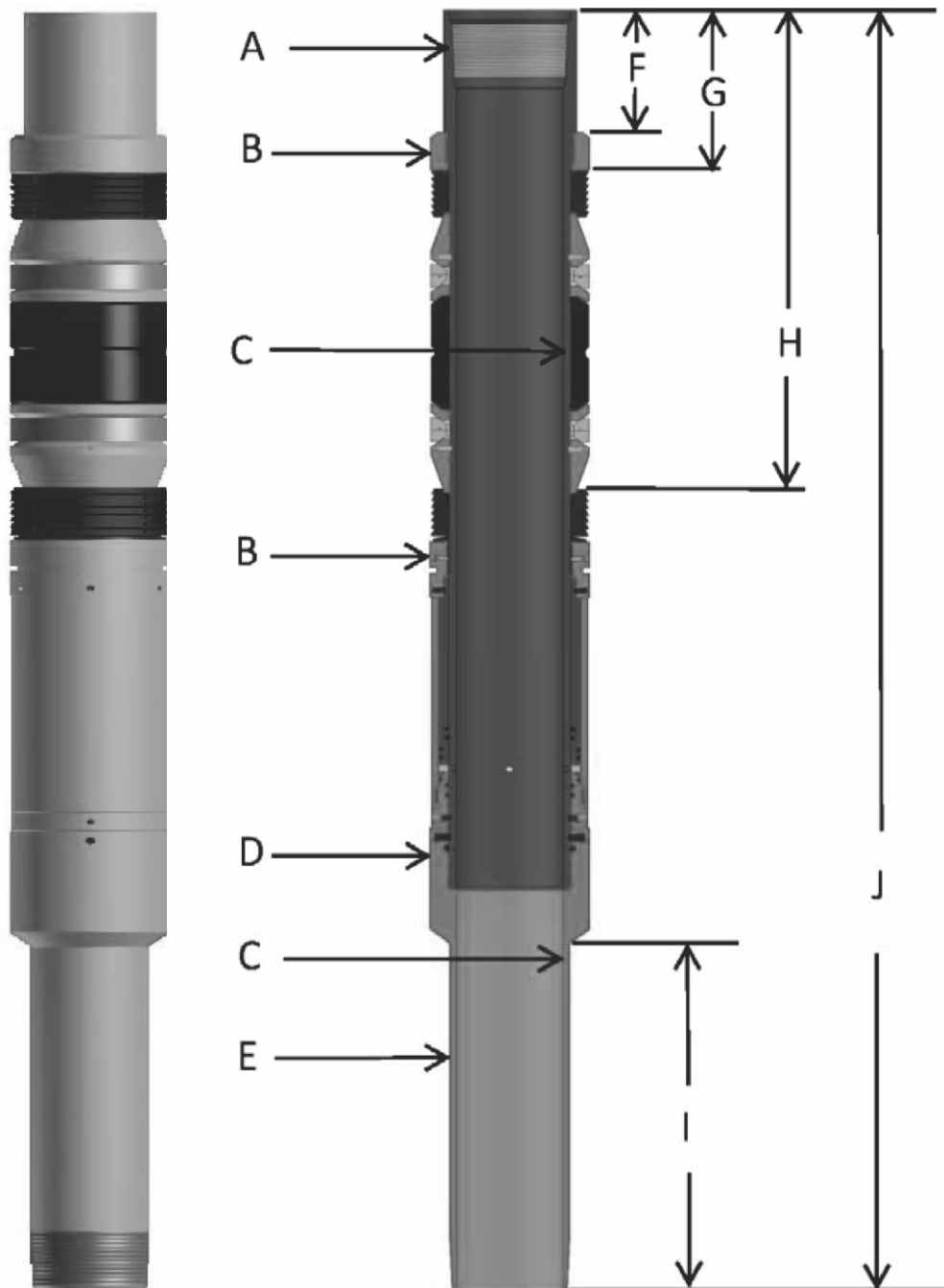
Dynamic Oilfield Services, LLC • 4245 Matlock Road • Bowling Green, KY 42104
Managing Partner: Patrick Parson • Phone (270) 991-1004
www.dynamicofs.com • Email: patrick@dynamicofs.com

SPEEDFRAC

7" x 4.5" LINER TOP/PRODUCTION PACKER SPECIFICATIONS

CASING RANGE	
7" 17-26#	7" 29-32#
OD 6.00 in.	OD 5.875 in
MINIMUM ID	
4.00 in.	
BODY MATERIAL	
P-110	
THREAD CONNECTION	
4-1/2" LTC	
DIFFERENTIAL PRESSURE	
10,000 PSI	
TEMPERATURE	
300° F	
ACTIVATION PRESSURE	
1377 psi/1962 Psi	

Dimension	Inches
A	4.89
B	5.875
C	4.00
D	5.875
E	4.50
F	6.24
G	8.25
H	24.75
I	18.00
J	67.00



Office Location:

Dynamic Oilfield Services, LLC • 4245 Matlock Road • Bowling Green, KY 42104
Managing Partner: Patrick Parson • Phone (270) 991-1004
www.dynamicofs.com • Email: patrick@dynamicofs.com