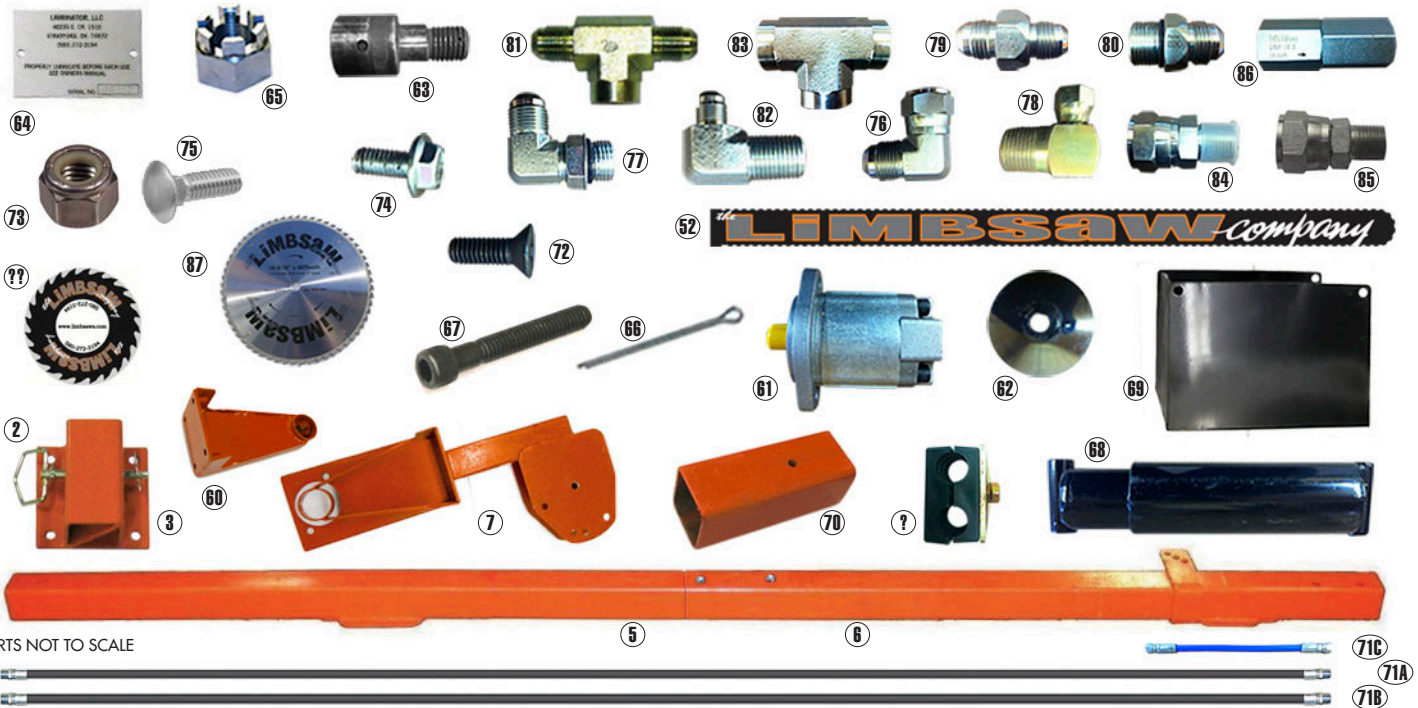




REPLACEMENT PARTS

All of the components on your LSC Circular Saw are replaceable. Should you need a part, please don't hesitate to call us. You can contact us through our website at, www.limbsaws.com, or by phone at (580) 272-3194.



PARTS NOT TO SCALE

BIN #	DESCRIPTION	PART NUMBER	BIN #	DESCRIPTION	PART NUMBER
2	Hitch Pin	FM084HP	72	7/16" Bolt	
3	LimbSaw Tube Socket Receiver	LIMTS	73	7/16" Nut	
5	LS Boom Arm Bottom	LIMBATM-P	74	5/16" x 3/4" Bolt	
6	LS Boom Arm Top	LIMBATOP-P	75	3/8" x 1" Bolt	
7	LSC Arm	LSC Arm	76	90° JIC Hyd fitting	
52	Decal, LimbSaw Logo	D592A	77	90° BOSS fitting	
60	Blade Guard		78	90° Hyd fitting	
61	Cassapa Hyd Motor		79	Check Valve	DT-370-MFMF-5
62	Washers/Disc		80	Check Valve	DT-750-MOMF-5
63	Mandrel		81	Hyd Tee	
64	Serial Plate		82	90° fitting	
65	Castle Nut		83	Hyd Tee	
66	Cotter Pin		84	Hyd Adaptor	6505-08-10
67	LSC Mandrel Bolt		85	Hyd Adaptor	6505-08-12
68	LSC Dampner		86	10gpm Flow Control Valve	
69	LSC Motor Cover		87	16.5/16" w/ 1" Arbor LSC Blade	
70	Mast Sleeve		?	Hose Clamp	HF3252 (A, B, C)
71A	Hose, 104" x 3/8" w/ 1/2" NPT swivel		??	Decal, LSC Circle	
71B	Hose, 104" x 1/2" w/ 1/2" NPT swivel				
71C	Hose, 14" x 1/4" w/ female swivels				