

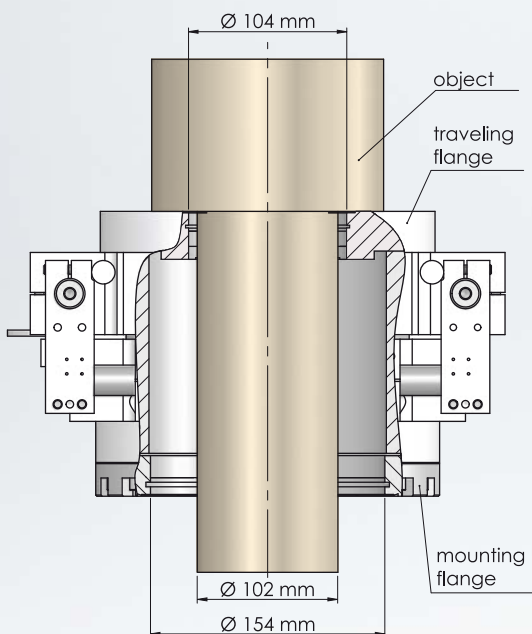
# XYZ STAGE

## DN 160 CF / 100 CF



The **XYZ stage** is a precision, high rigidity UHV specimen translator having X, Y and Z motions. It is a combination of XY stage and Z slide module. The standard mounting flange is DN 160CF or DN 100CF. The translator can work in any orientation and it can be fitted with stepper motors for highest resolution.

Mounting flange	DN 160 CF
Travelling flange	DN 100 CF
<b>Max free diameter</b>	<b>102 mm</b>
<b>X, Y range</b>	<b>± 25.0 mm</b>
positional control	micrometer / stepper motor (option)
resolution (manual/motorised)	5 µm / 1 µm
<b>Z range</b>	<b>75 - 800 mm</b>
positional control	handwheel / stepper motor (option)
resolution (manual/motorised)	500 µm / 10 µm (1 µm on request)
Bakeout temperature	up to 150 °C



If you need any further information, please do not hesitate to contact our sales department

PREVAC sp. z o.o. [sales@prevac.eu](mailto:sales@prevac.eu)  
 Raciborska Str. 61 [+48 32 459 21 30](tel:+48324592130)  
 PL44362 Rogów [+48 32 459 20 01](tel:+48324592001)

Local Contact: