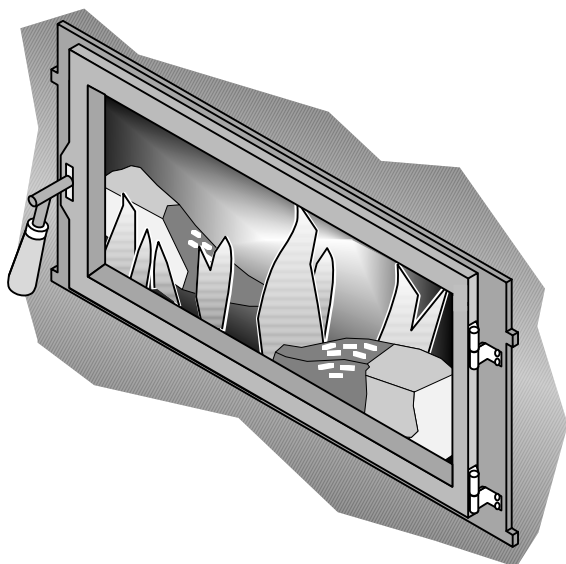




**TRAVIS INDUSTRIES  
HOUSE OF FIRE**

# **Large Flush Wood Insert** (Rectangular) ***with Hybrid-Fyre™ Technology***

## **Owner's Manual**



- **Masonry Fireplace Insert**
- **Zero-Clearance (Metal) Fireplace Insert**

Save these instructions for future reference

### **! WARNING**



**HOT GLASS WILL  
CAUSE BURNS.  
DO NOT TOUCH GLASS  
UNTIL COOLED.  
NEVER ALLOW CHILDREN  
TO TOUCH GLASS.**

## **SAFETY NOTICE:**

If this appliance is not properly installed, a house fire may result. For your safety, follow the installation directions. Contact local building or fire officials about restrictions and installation inspection requirements in your area.

**Dragon Wholesaling Pty. Ltd.**  
**Unit 2, 16 Lexington Drive**  
**Bella Vista NSW**  
**Australia 2153**

© Copyright 2012, T.I.  
\$10.00 100-01291  
4111118

Tested by:  
HRL Technology  
Tramway Road, Morwell 3840  
Victoria  
Tested to: AS/NZS 4012/4013: 1999  
Report Number: HCMG/12/022

## ***Introduction***

---

We welcome you as a new owner of a Large Flush Wood Insert. In purchasing a Large Flush Wood Insert you have joined the growing ranks of concerned individuals whose selection of an energy system reflects both a concern for the environment and aesthetics. This insert is one of the finest appliances the world over. This manual will explain the installation, operation, and maintenance of this appliance. Please familiarize yourself with the Owner's Manual before operating your appliance and save the manual for future reference. Included are helpful hints and suggestions which will make the installation and operation of your new appliance an easier and more enjoyable experience. We offer our continual support and guidance to help you achieve the maximum benefit and enjoyment from your appliance.

## ***Important Information***

---

No other Large Flush Wood Insert appliance has the same serial number as yours. The serial number is stamped onto the label on the back of the appliance.

This serial number will be needed in case you require service of any type.

Model: Large Flush Wood Insert

Serial Number: \_\_\_\_\_

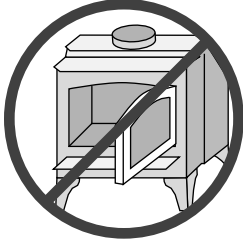
Purchase Date: \_\_\_\_\_

Purchased From: \_\_\_\_\_

\_\_\_\_\_  
\_\_\_\_\_

<b><u>Introduction</u></b> .....	<b>2</b>	<b><u>Ash Removal</u></b> .....	<b>19</b>
<b><u>Important Information</u></b> .....	<b>2</b>	<b><u>Blower Operation</u></b> .....	<b>20</b>
<b><u>Installation Options</u></b> .....	<b>6</b>	<b><u>Re-Loading the Stove</u></b> .....	<b>20</b>
<b><u>Features</u></b> .....	<b>6</b>	<b><u>Overnight Burn</u></b> .....	<b>20</b>
<b><u>Heating Specifications</u></b> .....	<b>6</b>	<b><u>Normal Operating Sounds</u></b> .....	<b>20</b>
<b><u>Dimensions</u></b> .....	<b>6</b>	<b><u>Hints for Burning</u></b> .....	<b>21</b>
<b><u>Installation Warnings</u></b> .....	<b>7</b>	<b><u>Selecting Wood</u></b> .....	<b>21</b>
<b><u>Planning the Installation</u></b> .....	<b>7</b>	Why Dry Wood is Key .....	21
Preparation for Installation .....	7	Wood Cutting and Storage .....	21
Additional Accessories Needed for Installation .....	7	<b><u>Troubleshooting</u></b> .....	<b>22</b>
<b><u>Fireplace Requirements</u></b> .....	<b>8</b>	<b><u>Daily Maintenance (while stove is in use)</u></b> .....	<b>23</b>
<b><u>Fireplace Altered Tag</u></b> .....	<b>8</b>	Remove Ash (if necessary) .....	23
<b><u>Insert Placement Requirements</u></b> .....	<b>9</b>	Clean the Glass (if necessary) .....	23
<b><u>Mantel Requirements</u></b> .....	<b>10</b>	<b><u>Monthly Maintenance (while appliance is in use)</u></b> .....	<b>24</b>
<b><u>Masonry Fireplace Requirements</u></b> .....	<b>10</b>	Door and Glass Inspection .....	24
<b><u>Drafting Performance</u></b> .....	<b>10</b>	Door Latch Adjustment .....	24
<b><u>Insert Rollers</u></b> .....	<b>10</b>	Creosote - Formation and Need for Removal .....	24
<b><u>Leveling Bolt Installation</u></b> .....	<b>11</b>	<b><u>Yearly Maintenance</u></b> .....	<b>25</b>
<b><u>Fettle Installation</u></b> .....	<b>11</b>	Touch-Up Paint .....	25
<b><u>Flue Installation</u></b> .....	<b>12</b>	Cleaning the Air Duct and Blower (if applicable) .....	25
Sealing the Flue to the Insert .....	12	Firebrick and Baffle Inspection .....	25
<b><u>Surround Panel Installation</u></b> .....	<b>13</b>	Cleaning the Catalytic Combustor .....	26
<b><u>Face Installation</u></b> .....	<b>13</b>	<b><u>Door Parts</u></b> .....	<b>27</b>
<b><u>Re-Routing the Electrical Cord to the Left Side</u></b> .....	<b>14</b>	Replacing the Glass .....	27
<b><u>Safety Notice</u></b> .....	<b>15</b>	Replacing the Door Gasket .....	27
<b><u>Before Your First Fire</u></b> .....	<b>15</b>	<b><u>Blower and Electrical Parts</u></b> .....	<b>27</b>
Verify the Installation .....	15	<b><u>Firebox Parts</u></b> .....	<b>28</b>
Curing the Paint .....	15	Baffle Parts .....	28
Over-Firing the Stove .....	15	Baffle Removal .....	28
<b><u>Opening the Door</u></b> .....	<b>16</b>	Combustor .....	28
Opening the Door .....	16	<b><u>Air Tube Removal &amp; Replacement</u></b> .....	<b>29</b>
Closing the Door .....	16	Brick Removal & Replacement .....	30
<b><u>Bypass Operation</u></b> .....	<b>17</b>	<b><u>Catalytic Combustor Temperature Probe Installation Instructions</u></b> .....	<b>31</b>
<b><u>Starting a Fire</u></b> .....	<b>18</b>	<b><u>GreenStart™ Igniter – Firebrick and Housing Installation</u></b> .....	<b>32</b>
<b><u>Adjusting the Burn Rate</u></b> .....	<b>19</b>	Listing Label .....	36
Approximate Air Control Settings: .....	19		

## Safety Precautions



The viewing door must be closed and latched during operation.

Smoke from this appliance may activate a smoke detector when the door is open.

Never block free airflow through the air vents on this appliance.



Gasoline or other flammable liquids must never be used to start the fire or "Freshen Up" the fire. Do not store or use gasoline or other flammable liquids in the vicinity of this appliance.



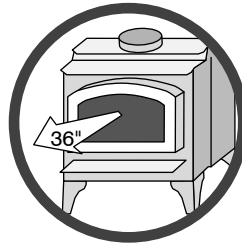
This appliance is designed and approved for the burning of cord wood only. Do not attempt to burn any other type of fuel other than cord wood in this appliance, it will void all warranties and safety listings.



Ashes must be disposed in a metal container with a tight lid and placed on a non-combustible surface well away from the home or structure.



Do not touch the appliance while it is hot and educate all children of the danger of a high-temperature appliance. Young children should be supervised when they are in the same room as the appliance.



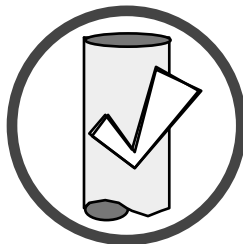
Keep furniture, drapes, curtains, wood, paper, and other combustibles a minimum of 36" away from the front of the appliance.



This appliance must be properly installed to prevent the possibility of a house fire. The instructions must be strictly adhered to. Do not use makeshift methods or compromise in the installation.

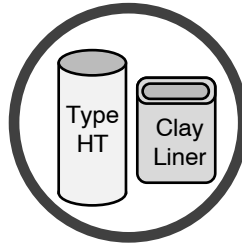


Contact your local building officials to obtain a permit and information on any installation restrictions or inspection requirements in your area. Notify your insurance company of this appliance as well.



Inspect the chimney connector and chimney at least twice monthly and clean if necessary. Creosote may build up and cause a house fire.

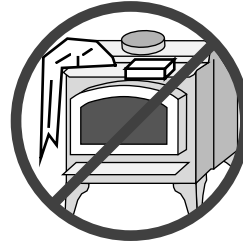
Do not connect this appliance to any chimney serving another appliance.



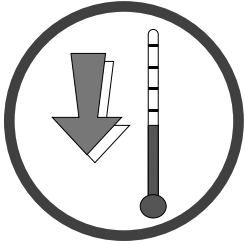
This appliance must be connected to a listed high temperature (UL 103 HT) residential type chimney or an approved masonry chimney with a standard clay tile, or stainless steel liner.



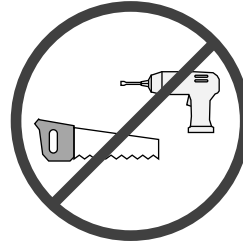
Never try to repair or replace any part of this appliance unless instructions are given in this manual. All other work must be done by a trained technician.



Do not place clothing or other flammable items on or near this appliance.

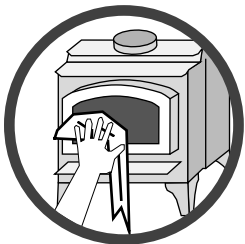


Allow the appliance to cool before carrying out any maintenance or cleaning.



Do not make any changes or modifications to an existing masonry fireplace or chimney to install this appliance.

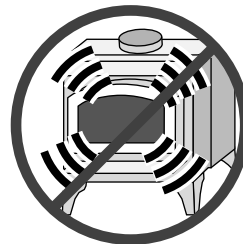
Do not make any changes to the appliance to increase combustion air.



Maintain the door and glass seal and keep them in good condition.

Do not operate this heater with broken or missing glass.

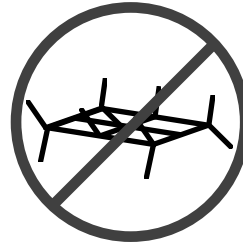
Avoid placing wood against the glass when loading. Do not slam the door or strike the glass.



Over-firing the appliance may cause a house fire. If a unit or chimney connector glows, you are over-firing.



Do not throw this manual away. This manual has important operating and maintenance instructions that you will need at a later time. Always follow the instructions in this manual.



Do not use a grate or other device to elevate the fire off of the firebox floor. Burn the fire directly on the bricks.



**Travis Industries, Inc. grants no warranty, implied or stated, for the installation or maintenance of your appliance, and assumes no responsibility of any consequential damage(s).**

### Installation Options

- Masonry Fireplace Insert
- Zero-Clearance (Metal) Fireplace Insert

### Features

- 3 Cubic Foot Firebox Volume
- Single Air Control
- Accepts Logs Up to 610mm Long
- Steel Plate Construction (up to 8mm)
- Heavy Duty Refractory Firebrick
- Standard High-Tech Blower

### Heating Specifications

Approximate Maximum Heating Capacity (in square meters)*	140 to 230
Maximum Burn Time	Up to 12 Hours

\* Heating capacity will vary depending on the home's floor plan, degree of insulation, and the outside temperature. It is also affected by the quality and moisture level of the fuel.

### Dimensions

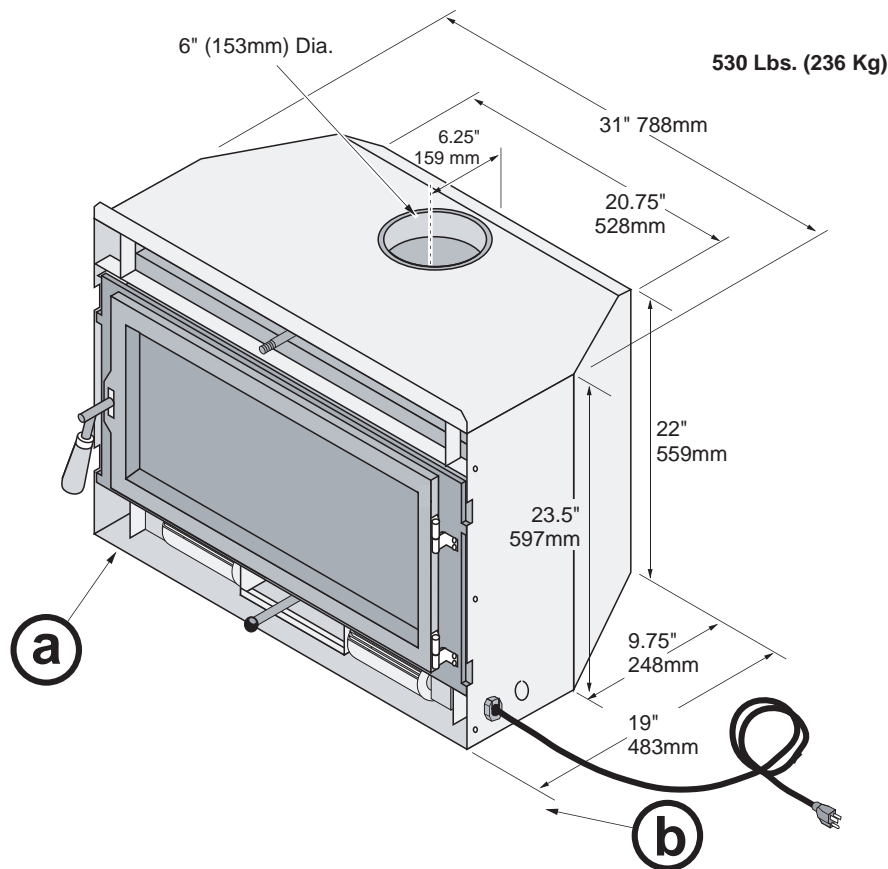


Figure 1

(a) Measure clearances from base of insert

(b) Fireplace Opening

**SAFETY NOTICE:**

Please read this entire manual before you install and use your new room heater. Failure to follow instructions may result in property damage, bodily injury, or even death. Contact local building or fire officials about restrictions and installation inspection requirements in your area.

***Installation Warnings***

- Failure to follow all of the requirements may result in property damage, bodily injury, or even death.
- This heater must be installed by an authorised installer who has gone through a training program for the installation of direct vent gas appliances.
- This appliance must be installed in accordance with the manufacturer's installation instructions, local gas fitting regulations, municipal building codes, water supply regulations, electrical wiring regulations, AS 5601 / AG 601—2000, *Gas installations* and any other relevant statutory regulations.
- This heater is either approved for natural gas (NG) or for propane (LP). Burning the incorrect fuel will void the warranty and safety listing and may cause a house fire. Direct questions about the type of fuel used to your dealer. To determine which fuel your heater is using, check for a label on the flame adjust knob on the gas control valve (this is the best place to check). You may also check for a label on the gas control valve body.
- All exhaust gases must be vented outside the structure of the living-area. Combustion air is drawn from outside the living-area structure.
- Notify your insurance company before hooking up this heater.
- The requirements listed below are divided into sections. All requirements must be met simultaneously. The order of installation is not rigid – the authorised installer should follow the procedure best suited for the installation.

***Planning the Installation***

We suggest that you have an authorized Travis Industries dealer install your fireplace insert. If you install the fireplace insert yourself, your authorized dealer should review your installation plans.



Check with local building officials for any permits required for installation of this fireplace insert and notify your insurance company before proceeding with installation.

**Preparation for Installation**

- Check for damage to the exterior of the fireplace insert (dents should be reported, scratches can be fixed by applying touch-up paint).
- Check the interior of the firebox (replace cracked firebrick and make sure baffle is in place).



The fireplace insert can be lightened by removing the firebricks and baffle (pg. 30) - replace before operation.

**Additional Accessories Needed for Installation**

- Face
- Surround Panels (see page13)

## Fireplace Requirements

Figure 2 shows the minimum size requirements for the type of fireplace used.

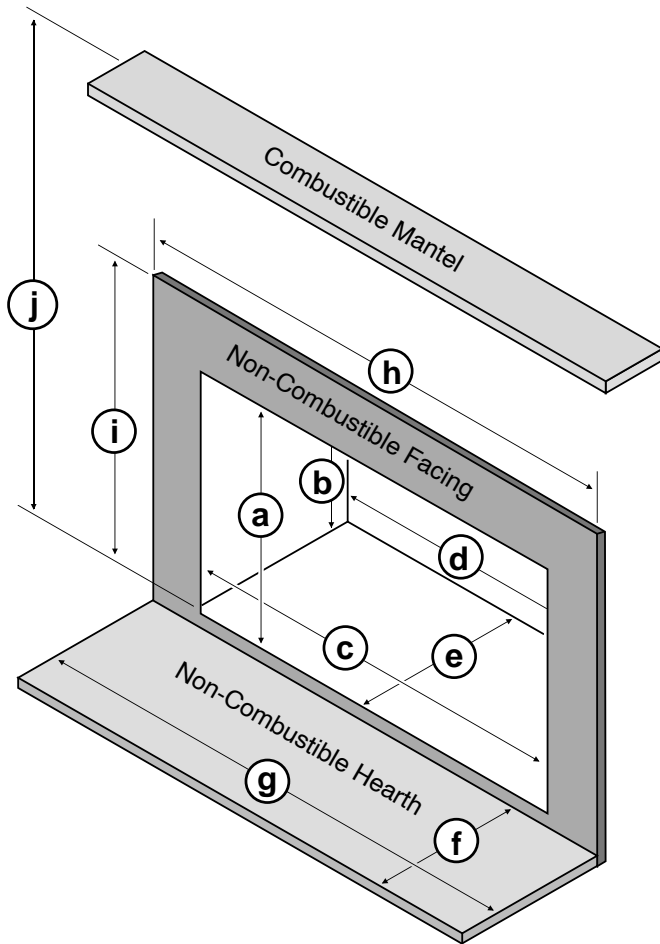


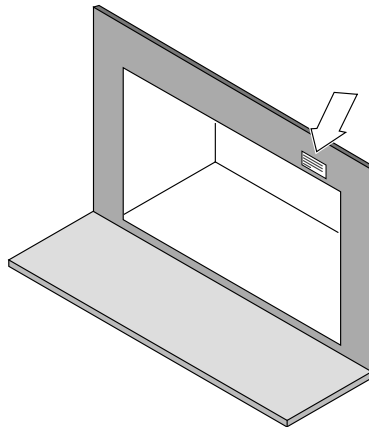
Figure 2

Minimum Fireplace Size	
a Height (front)	23.5" 597mm
b Height (rear)	22" 559mm
c Width (front)	33"* 839mm*
d Width (rear)	20.75" 528mm
e Depth	19" 483mm
f Hearth Depth	See "Hearth Requirements"
<b>NOTE:</b> Base of insert must be a minimum 1" above combustible floor surfaces (carpet, wood, etc.). See "Hearth Requirements" for further details.	
g Hearth Width	See "Hearth Requirements"
h Facing Width	41.25" 1045mm
i Facing Height Above Base of Insert	47.75" 1210mm
j Mantel Height Above Base of Insert	51.25" 1300mm

\* Includes 2" (51mm) for power cord installation.

## Fireplace Altered Tag

Attach the "This fireplace has been altered..." plate to the fireplace (use two screws or other suitable method). You may wish to place it in a location where it will be covered by the surround panels.





## Insert Placement Requirements

- The insert must be placed so that no combustibles are within, or can swing within (e.g. drapes, doors), 36" (915mm) of the front of the insert ( Figure 3 "q").
- Insert and hearth must be installed on a level, secure floor
- The minimum clearances, facing, and hearth requirements in Figure 3 must be met.

Minimum Clearances	
k Sidewall	10.5" 267mm
l Side Facing (non-combustible)	5.125" 131mm
m Top Facing (non-combustible)	47.75" 1210mm
n Mantel (combustible)	51.25" 1300mm
o Front Hearth <b>NOTE: Base of insert must be a minimum 1" above combustible floor surfaces (carpet, wood, etc.). See "Hearth Requirements" for further details.</b>	See "Hearth Requirements"
p Side Hearth	See "Hearth Requirements"
q Front of Insert	36" 915mm
r Mantel Breastplate (max. 1-1/8" 30mm thick)	47.75" 1210mm
s Mantel Column (max. 3.375" 80mm deep)	5.875" 150mm
x Extension Onto Hearth (from front edge of insert)	0" 00mm

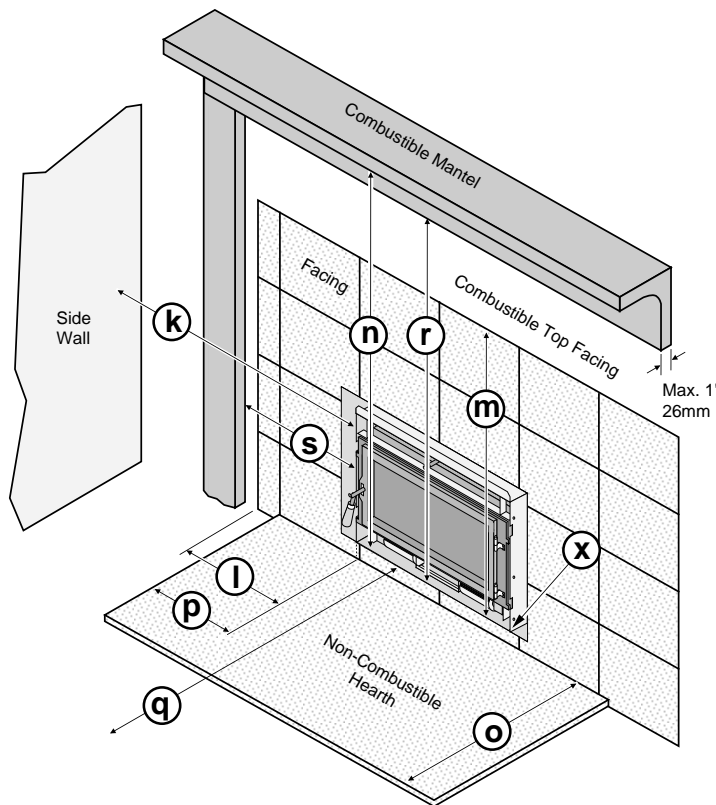


Figure 3

## 10 Fireplace Insert Installation (for qualified installers only)

### Mantel Requirements

- See Installation Clearances Addendum.

### Masonry Fireplace Requirements

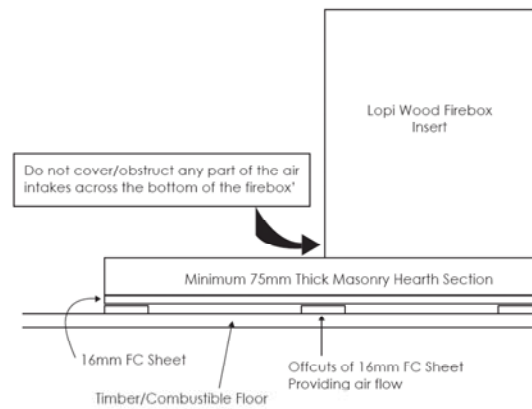
- Must utilize a positive connection (full reline)
- Entire fireplace, including chimney, must be clean and undamaged. Any damage must be repaired prior to installation of the insert.
- Chimney height: 15' (4.5M) minimum; 33' (10M) maximum (measured from base of insert).
- Entire fireplace, including chimney, must meet local building requirements.

### Hearth Requirements

- Non-combustible hearth must extend 12" (300mm) in front of the insert and 4.625" (118mm) from both sides of the insert
- When installed over a timber floor:  
Hearth must be a minimum of 75mm of non-combustible masonry with 16mm of FC sheet along with offcuts to provide air flow (see illustration to the right).

**NOTE:** if using the "Lopi Flush Wood Zero Clearance Box" ([www.lopi.com.au](http://www.lopi.com.au)) see the instructions included with the zero clearance box for hearth requirements.

- When installed over a cement floor:  
Hearth must be non-combustible.



### Drafting Performance

This appliance relies upon natural draft to operate. External forces, such as wind, barometric pressure, topography, or factors of the home (negative pressure from exhaust fans, chimneys, air infiltration, etc.), may adversely affect draft. Travis Industries cannot be responsible for external forces leading to less than optimal performance.

### Insert Rollers

Two rollers are built into the back edge of the insert. This allows the insert to be rolled into position by lifting the front of the insert and pushing it into position (see Figure 4).

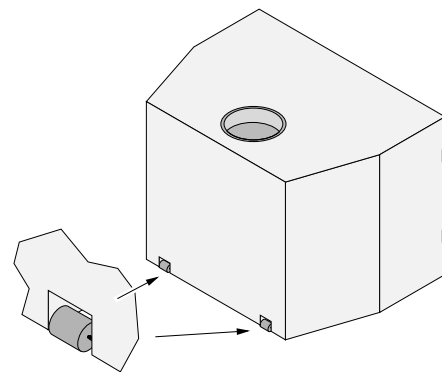


Figure 4

## Leveling Bolt Installation

**MASONRY NOTE:** Place a metal plate below the bolts on masonry fireplaces to prevent damage to the floor brick.

Two leveling bolts are pre-installed on the insert to allow for proper leveling within the fireplace. To access the bolts, remove the back corner firebricks and cover plates "a" and "b". The bolts are pre-threaded to a weld-nut on the base of the insert. Use a 3/4" (19mm) socket wrench to screw the bolts down (clockwise) until the insert is level (see "c").

**SEALING THE COVER PLATE:** We recommend sealing the cover plate with furnace cement (place on underside of cover plate).

**BOLT LENGTH:** The included bolts allow approximately 26mm of rise. If additional rise is required, use a longer 1/2-13 thread bolt. Make sure the additional bolt length does not interfere with the cover plate.

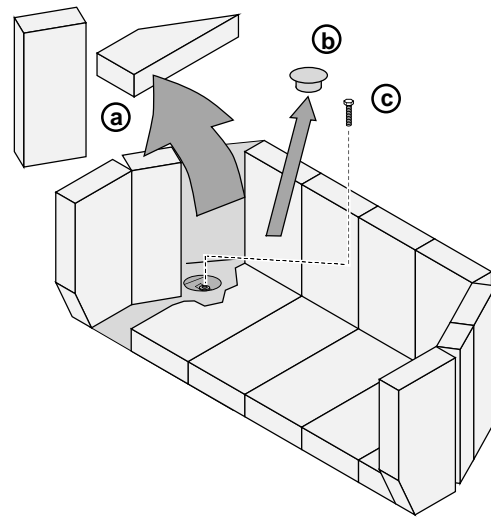
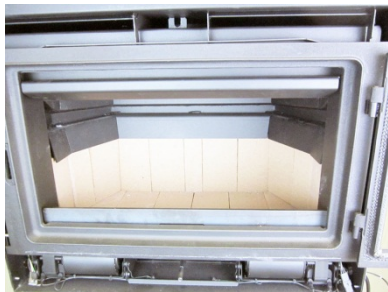


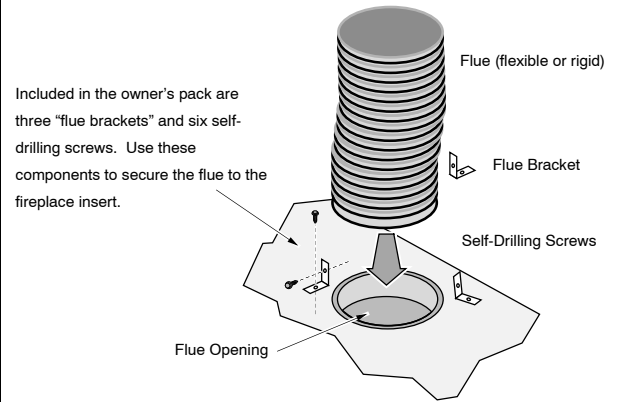
Figure 5

## Fettle Installation

The fettle is designed to prevent ash from spilling out of the firebox opening. It is held in place with two tabs and slots at the front of the firebox (see pictures below). The fettle is optional and may be removed if desired.



## Flue Installation




Included in the owner's pack are three "flue brackets" and six self-drilling screws. Use these components to secure the flue to the fireplace insert.

### RLH Chim-Flex Starter Sections

RLH manufactures starter sections in straight or angled configurations to suit your application. They are secured from inside the firebox, making installation much easier. Contact RLH for additional details:

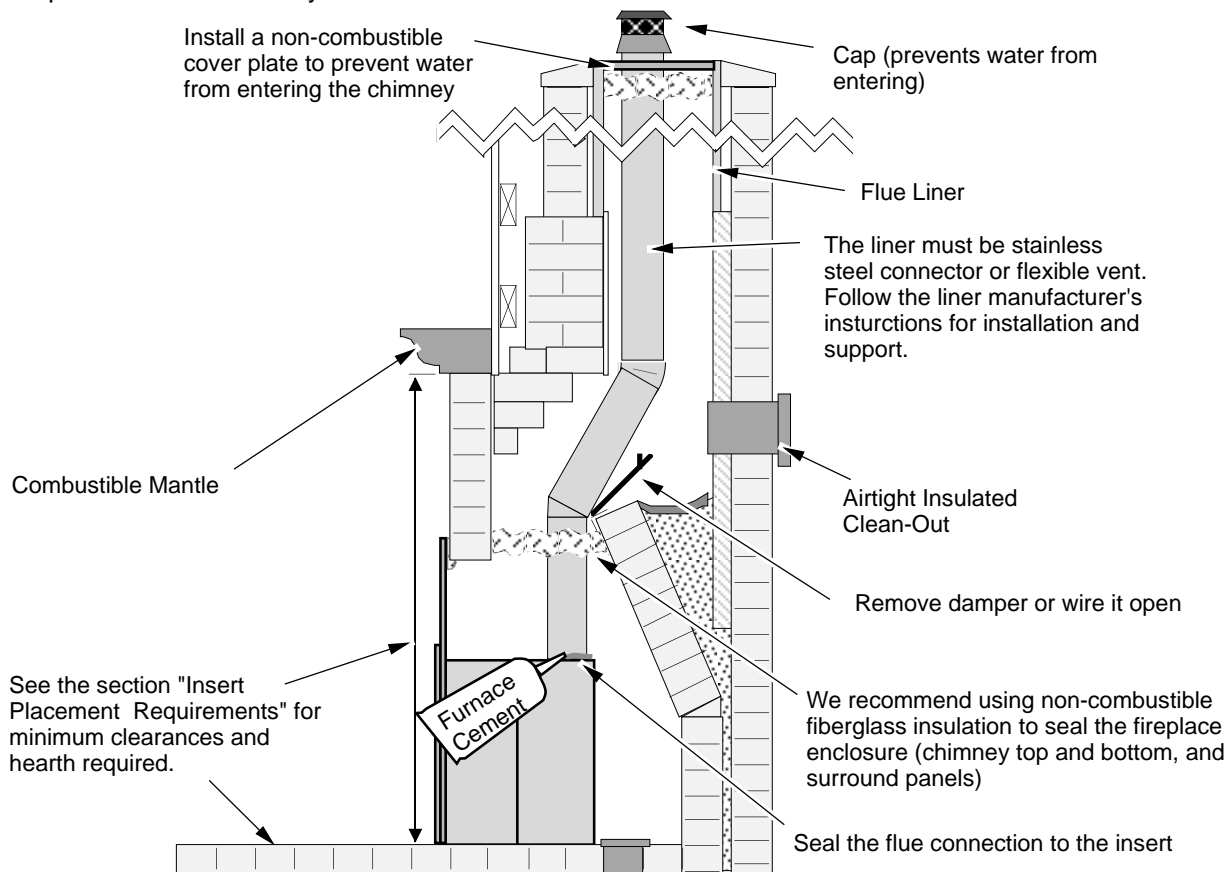
[www.chim-flex.com](http://www.chim-flex.com)



## Sealing the Flue to the Insert

This insert utilizes a catalytic combustor to increase efficiency and decrease emissions. This increases the air resistance inside the firebox, making the flue connection especially important. To insure proper draft, and to prevent smoke spillage during re-loading, **it is crucial for the flue to be sealed with fireplace cement**. If an adapter is used, both joints to the liner and to the insert must be sealed. Use a generous amount of fireplace cement at every connection (where the flue connects to the insert and at every joint).

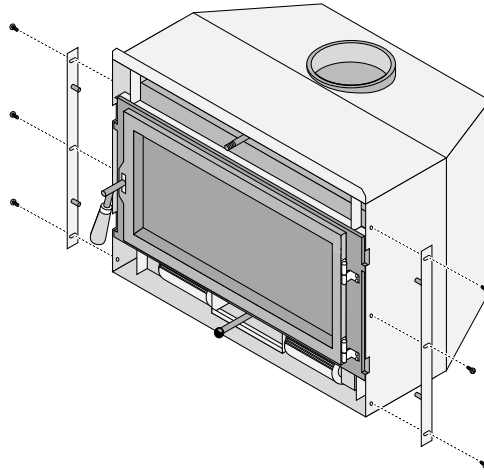
In addition, we recommend using non-combustible fiberglass insulation to seal the fireplace enclosure. By sealing the top and bottom of the chimney, and the surround panels, you will be ensuring outside air is not pulled into the chimney.



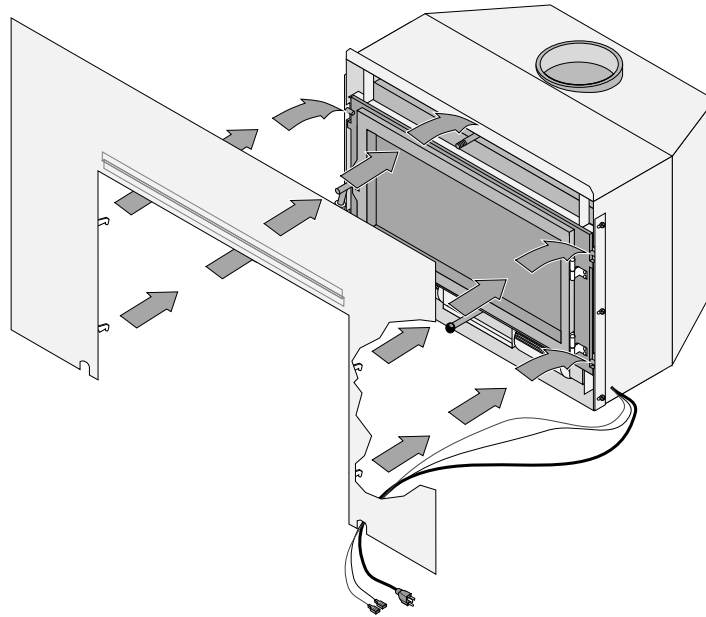
## Surround Panel Installation

	Width	Height	Part#
Standard Size	1067 mm	826 mm	96100392

1. Before installing, the insert should be in place with the flue attached. Attach the brackets as shown below, using the screws included in the hardware pack with the insert. Make sure the brackets are flush with the front of the convection chamber.



2. Attach the surround panel as shown below.



**HINT:** When installing the panel, route the wires through the notch on the bottom of the panel (either side).

## Face Installation

There are several face options available for this fireplace insert. Refer to the instructions included with your face.

**Re-Routing the Electrical Cord to the Left Side**

The power cord is connected to the right side of the insert when it leaves the factory. It may be re-routed to the left side following the directions below. Do this procedure before installing the surround panels.

- Disconnect the Molex connector and remove the power cord following the directions below.

**NOTE:** An additional knockout is provided if using the insert wiring kit. Route the power through one hole, the rheostat through the other.

Disconnect the molex connector leading from the power cord.

Rheostat Wires

Power Cord

Use pliers to compress the strain relief from the top and bottom while pulling it out of the hole in the side of the insert.

Leave the rheostat wires in place.

Remove the power cord.

**⚠ Make sure the power cord is disconnected prior to conducting these steps.**

- Connect the power cord to the left side following the directions below.

Attach the molex connector on the power cord to the molex connector on the left side of the insert.

Power Cord

Re-attach the strain relief to the left side (use pliers to compress the strain relief from the top and bottom while pushing it into the hole).

Remove the button plug from the left side.

## Safety Notice

---



If this appliance is not properly installed, a house fire may result. For your safety, follow the installation directions. Contact local building or fire officials about restrictions and installation inspection requirements in your area.



Read and follow all of the warnings on pages 4 and 5 of this manual.

## Before Your First Fire

---

### Verify the Installation

Before starting the stove, verify that the stove is properly installed and all of the requirements in this manual have been followed.



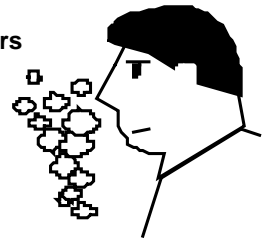
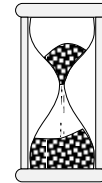
Keep all flammable materials 36" away from the front of the stove (drapes, furniture, clothing, etc.).

### Curing the Paint

This heater uses a heat-activated paint that will emit some fumes while starting the first fire. Open doors and windows to the room to vent these fumes. This typically lasts two to four hours. You may also notice oil burning off of the interior of the heater. This rust-stopping agent will soon dissipate.

**Door Gasket** - The door gasket might adhere to the paint on the front of the heater. Leave the door slightly ajar for the first fire and be careful when opening the door after the first fire.

2 to 4 hours



### Over-Firing the Stove

This stove was designed to operate at a high temperature. But due to differences in vent configuration, fuel, and draft, this appliance can be operated at an excessive temperature. If the stove top or other area starts to glow red, you are over-firing the stove. Shut the air control down to low and allow the stove to cool before proceeding.



Over-firing may lead to damage of plated surfaces. If any portion of the heater glows red, it is considered over-firing and will void the warranty.

### Opening the Door

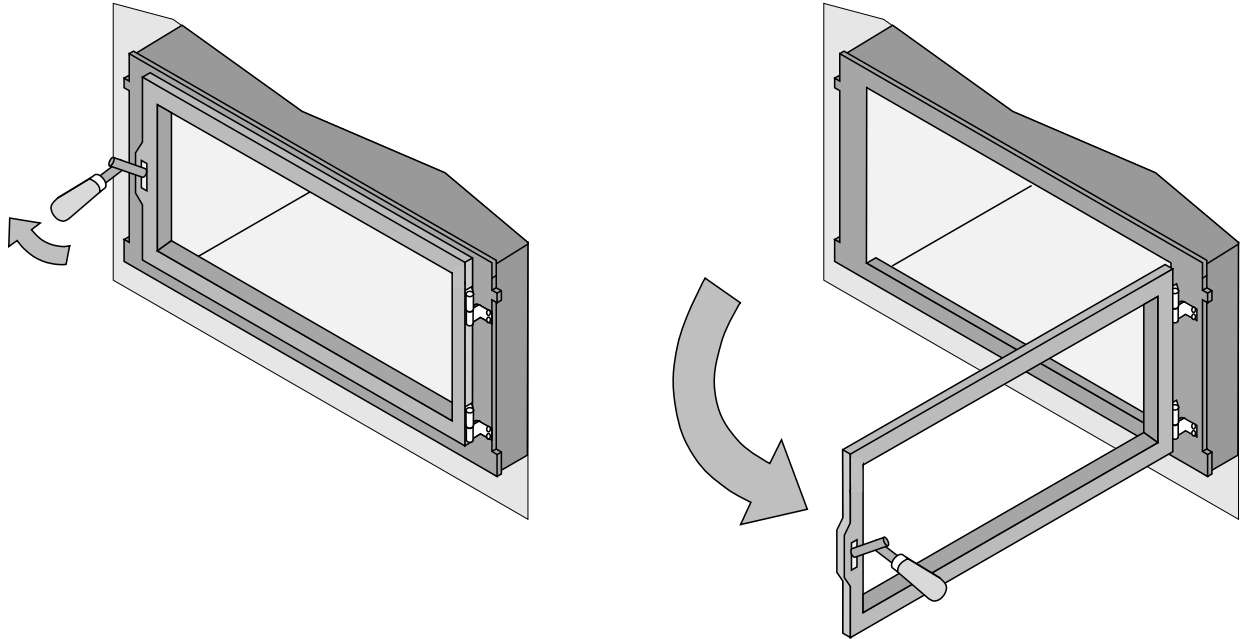


The door becomes hot during use. Use a glove to open the door if the handle is hot.

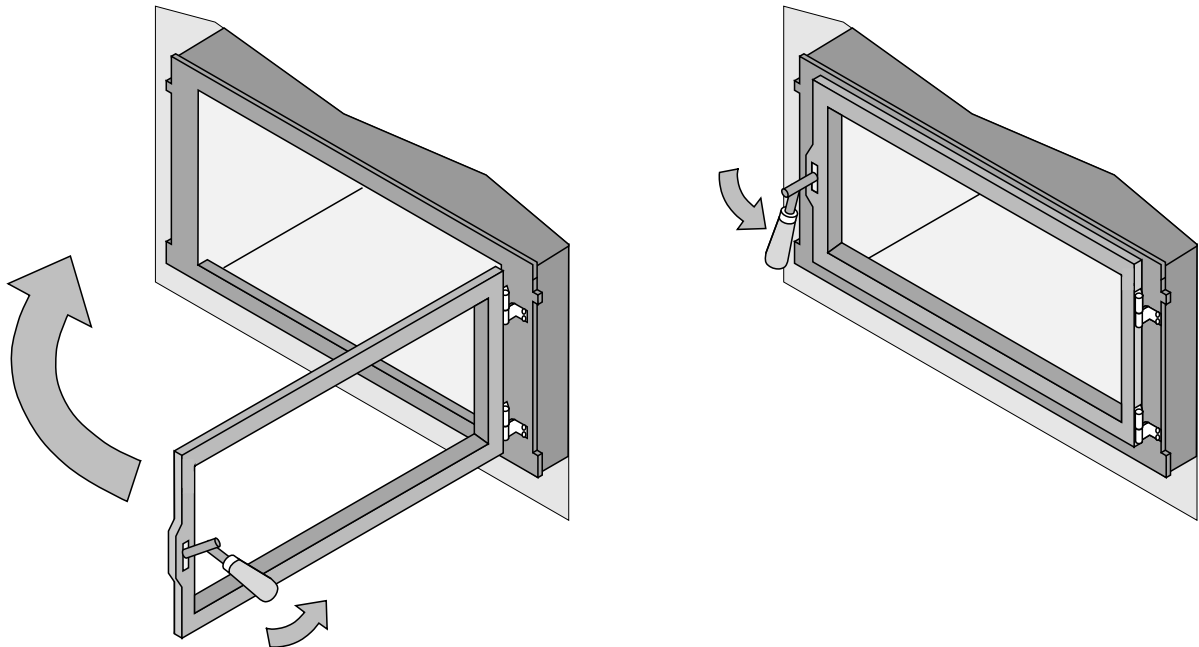


To prevent smoke from entering the room, open the bypass before opening the door (see following page for directions). You can also open the door a small amount and let air enter the firebox.

### Opening the Door



### Closing the Door

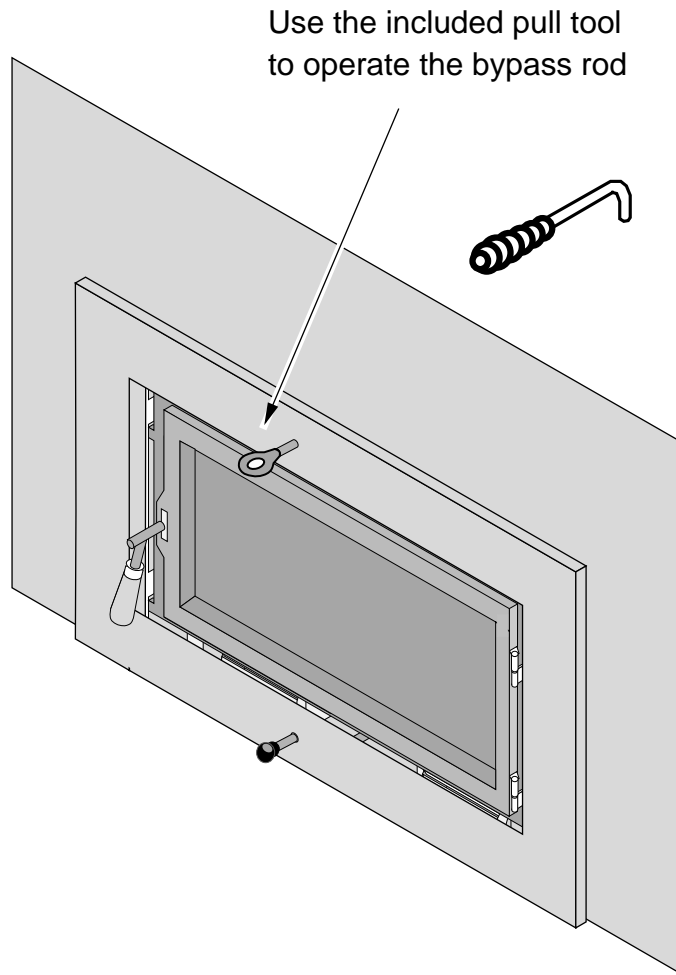




## ***Bypass Operation***

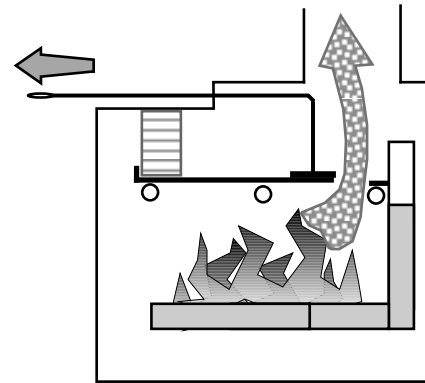
The bypass controls the flow of smoke inside the heater. When pulled out, smoke goes directly up the flue, creating more draft. When pushed in, the smoke goes around the baffle, utilizing the secondary combustion and making the heater more efficient.

- When starting or re-loading, pull the bypass out, if necessary.
- During normal operation, push the bypass in.



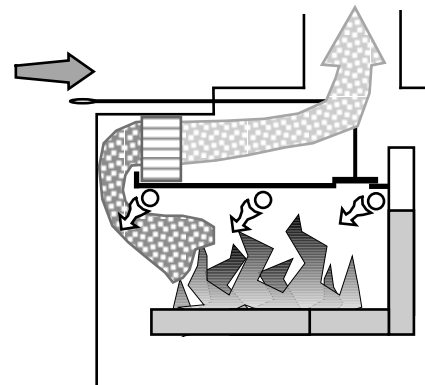
### **Bypass Pulled Out**

Used for starting and re-loading



### **Bypass Pushed In**

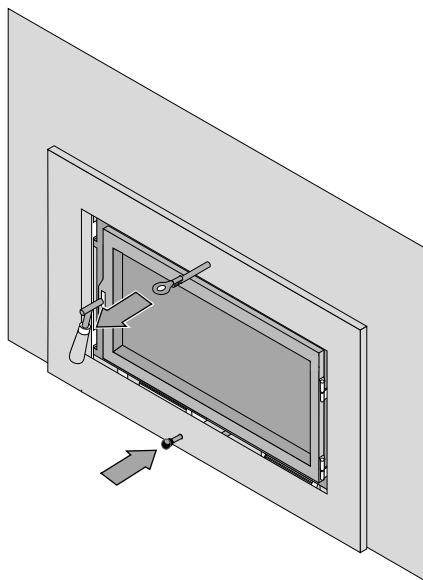
Used for normal operation



## Starting a Fire

Since the dawn of time man has debated the best way to start a fire. Some use the boy-scout "tee-pee"; some prefer the "tic-tac-toe" stack. Either way, review the hints and warnings below to ensure proper fire starting.

- Make sure the air control is pushed in and the by-pass pulled out. If additional air is needed, open the doors 7mm during the first five minutes of start-up.



**Never** use gasoline, gasoline-type lantern fuel, kerosene, charcoal lighter fluid, or similar liquids to start or "freshen up" a fire in this stove. Keep all such liquids well away from the stove while it is in use.



**DO NOT USE CHEMICALS OR FLUIDS TO START THE FIRE. DO NOT BURN GARBAGE OR FLAMMABLE FLUIDS SUCH AS GASOLINE, NAPHTHA OR ENGINE OIL.** Do not place such fuel within space heater installation clearances or within the space required for charging and ash removal.



If using a fire-starter, use only products specifically designed for stoves - follow the manufacturer's instructions carefully.



**HOT WHILE IN OPERATION. KEEP CHILDREN, CLOTHING AND FURNITURE AWAY. CONTACT MAY CAUSE SKIN BURNS.**



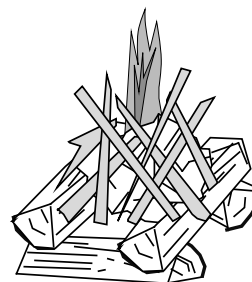
If the smoke does not pass up the chimney, ball up one sheet of newspaper, place it in the center of the firebox and light it. This should start the chimney drafting (this eliminates "cold air blockage").



Use plenty of kindling to ensure the stove reaches a proper temperature. Once the kindling is burning rapidly, place a few larger pieces of wood onto the fire.

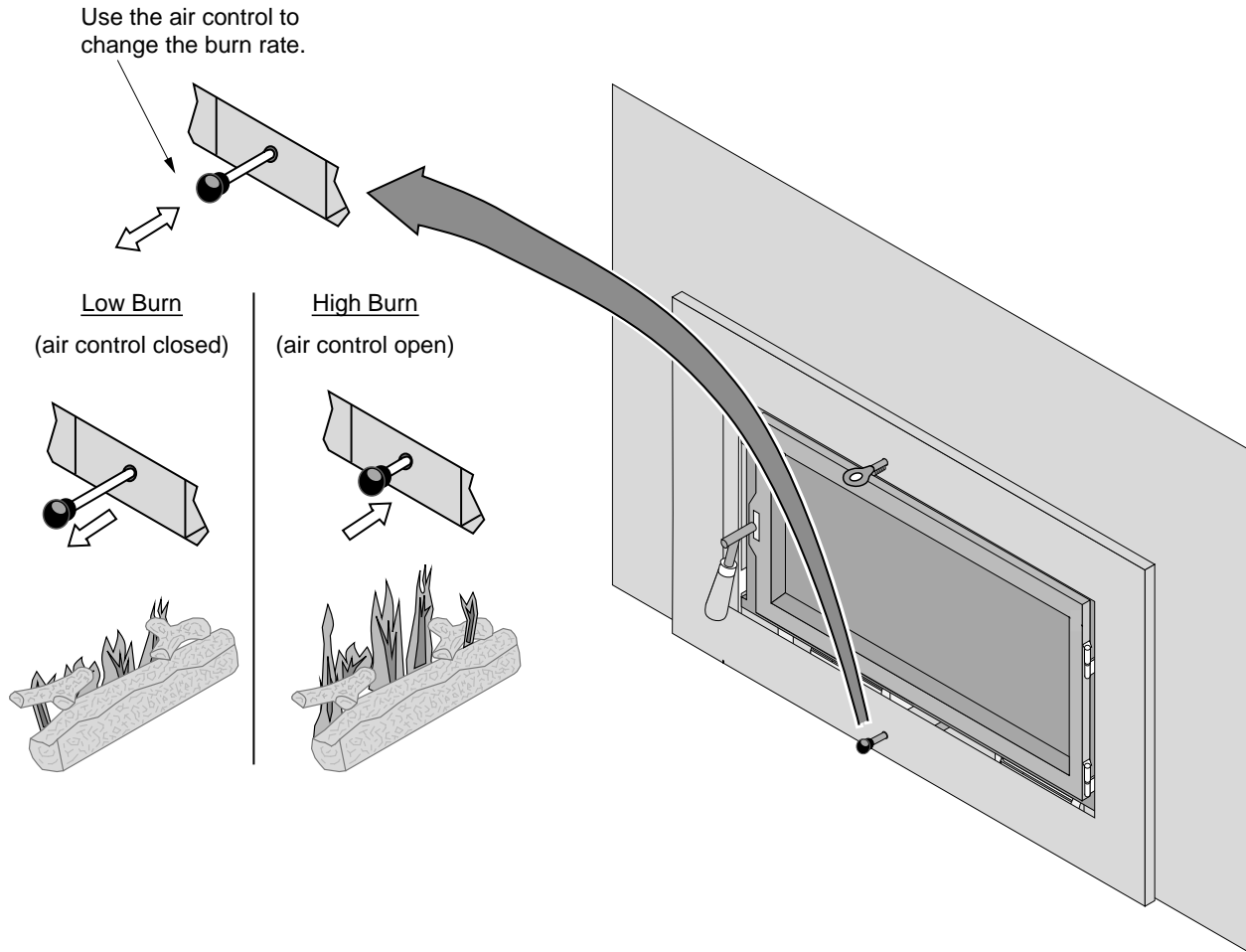
### Starting a "Top-Down Fire"

One particularly successful method for starting a fire is to stack several large pieces of wood in the center of the stove (see the illustration to the right). Then place a several wads of newspaper in the center with kindling on top. When you light the newspaper this "top-down" fire will burn its way to the center, igniting the larger pieces. With some practice, this method should work for you.



## Adjusting the Burn Rate

Use the air control slider to control the burn rate of the stove. See the illustration below for details.



### Approximate Air Control Settings:

Overnight Burn	Pulled fully out
Medium Burn	Pulled fully out to 1.5mm In
Medium High Burn	1.5mm to 1.3mm In
High Burn	1.3mm to Pushed All the Way In



The air control becomes hot during operation - use gloves or a tool to prevent burns.



The air control may take several minutes to influence the burn rate. When making adjustments, you may wish to let the stove burn for 10 minutes to gauge performance.

## Ash Removal



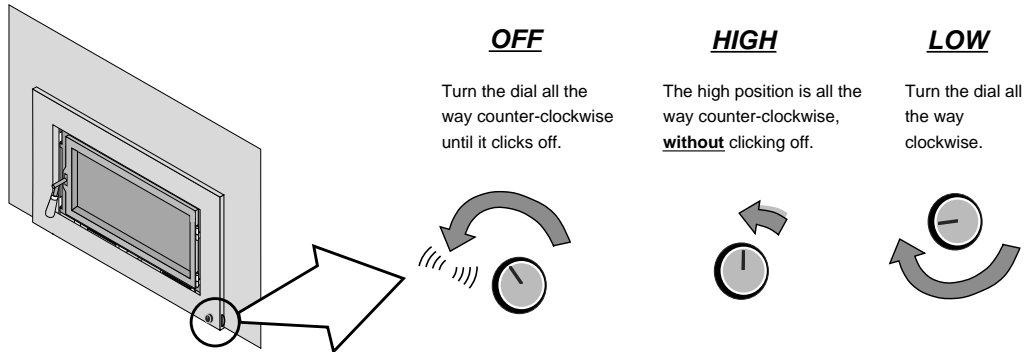
Ashes should be placed in a metal container with a tight-fitting lid. The closed container of ashes should be placed on a noncombustible floor or on the ground, away from all combustible materials, pending final disposal. If the ashes are disposed of by burial in soil or otherwise locally dispersed, they should be retained in the closed container until all cinders have thoroughly cooled.

## Blower Operation

The blower will turn on once the stove is up to temperature. This is typically 15 to 30 minutes after starting the fire. Follow the directions below to alter the blower speed.



The blower rheostat dial may look different. It does operate in the same fashion.



The blower may be used to affect heat output (i.e.: to reduce heat output, turn the blower down).



Route the power cord in a location where it will not come in contact with the appliance or become hot.

## Re-Loading the Stove

Follow the directions below to minimize smoke spillage while re-loading the stove.

- 1 Open the air control all the way (push it in). Open the bypass; pull it out if necessary.
- 2 Open the door slightly. Let airflow inside the firebox stabilize before opening the doors fully.
- 3 Load wood onto the fire.

## Overnight Burn

Follow the steps below to achieve an overnight burn.

- 1 Move the air control to high burn and let the stove become hot (burn for approximately 15 minutes).
- 2 Load as much wood as possible. Use large pieces if possible.
- 3 Let the stove burn on high for 15 minutes to keep the stove hot, and then turn the air control to low.
- 4 In the morning the stove should still be hot, with embers in the coal bed. Stir the coals and load small pieces of wood to re-ignite the fire, if desired.



Differences in chimney height and draft may lower overall burn times.

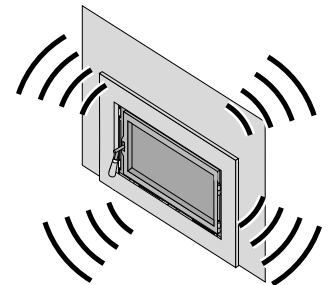
## Normal Operating Sounds

### Creaks and Clicks:

The steel may creak or click when the stove heats up and cools down - this is normal.

### Blower Sounds:

The blower will make a slight "hum" as it pushes air through the stove.

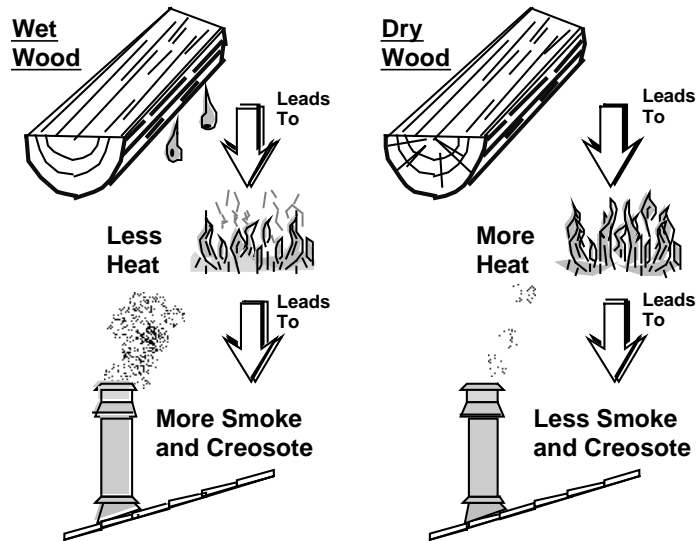


## Hints for Burning

- Get the appliance hot before adjusting to low burn
- Use smaller pieces of wood during start-up and high burns to increase temperature
- Use larger pieces of wood for overnight or sustained burns
- Stack the wood tightly together to establish a longer burn
- Leave a bed of ashes (13mm deep) to allow for longer burns
- Be considerate of neighbors & the environment: burn dry wood only
- Burn small, intense fires instead of large, slow burning fires when possible
- Learn your appliance's operating characteristics to obtain optimum performance

## Selecting Wood

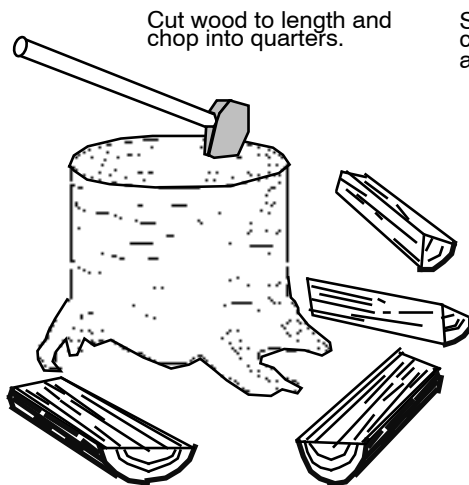
- Dry Wood is Key – moisture content should be less than 25%
- Dry wood burns hot, emits less smoke and creates less creosote.
- Testing Wood Moisture
- Split wood stored in a dry area will be fully dry within a year. This insures dry wood. If purchasing wood for immediate use, test the wood with a moisture meter. Some experienced wood burners can measure wood moisture by knocking pieces together and listening for a clear "knock" and not a "thud".



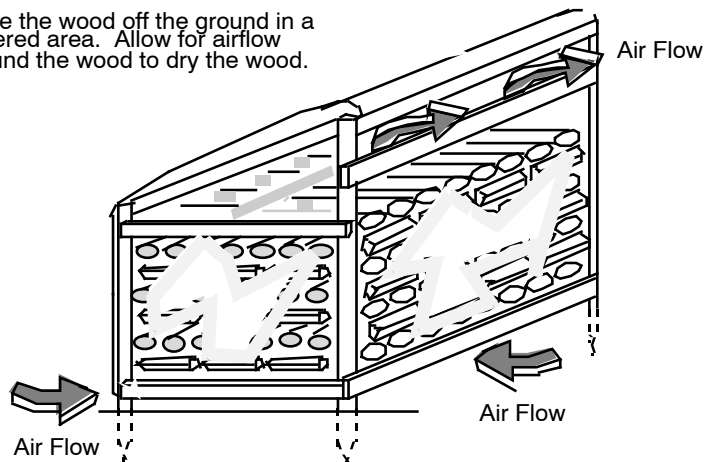
## Why Dry Wood is Key

Wet wood, when burned, must release water stored within the wood. This cools the fire, creates creosote, and hampers a complete burn. Ask any experienced wood burner and he or she will agree: dry wood is crucial to good performance.

## Wood Cutting and Storage



Store the wood off the ground in a covered area. Allow for airflow around the wood to dry the wood.



**Troubleshooting**

<b>Problem</b>	<b>Possible Cause</b>
<b>Smoke Enters Room During Start-Up</b>	<ul style="list-style-type: none"> <li>• Open the bypass (pg. 17).</li> <li>• Open the air control (pg. 19).</li> <li>• Cold Air Blockage - burn a piece of newspaper to establish a draft.</li> <li>• If the flame is not getting enough air, a small crack in the door is all that is needed.</li> </ul>
<b>Kindling Does Not Start - Fire Smolders</b>	<ul style="list-style-type: none"> <li>• Open the bypass (pg. 17).</li> <li>• Open the air control (pg. 19).</li> <li>• Not enough starter paper - use additional newspaper if necessary.</li> <li>• If the flame is not getting enough air, a small crack in the door is all that is needed.</li> </ul>
<b>Smoke Enters Room While Re-Loading</b>	<ul style="list-style-type: none"> <li>• Open the bypass before opening the door (pg. 17).</li> <li>• Open the air control before opening the door (pg. 19).</li> <li>• Let the air stabilize before fully opening the door. Then open the door approximately 25 mm. Let air go into the firebox for a few seconds. Once the smoke appears to be flowing up the chimney consistently, open the door.</li> <li>• Insufficient Draft - Chimney height and outside conditions can negatively affect draft. In these cases a small amount of smoke may enter the home. Adding more piping or a draft-inducing cap may help.</li> <li>• Chimney liner joints are not properly sealed at the insert connection.</li> </ul>
<b>Stove Does Not Burn Hot Enough</b>	<ul style="list-style-type: none"> <li>• Wood is Wet - see the section "Selecting Wood" on page 21 for details on wood.</li> <li>• Make sure the air control is all the way open. Slide the control back and forth to insure the control is not stuck.</li> <li>• Insufficient Draft - Chimney height and outside conditions can negatively affect draft. In these cases the fire may burn slowly. Adding more piping or a draft-inducing cap may help.</li> </ul>
<b>Blower Does Not Run</b>	<ul style="list-style-type: none"> <li>• Stove is Not Up to Temperature - This is normal. The blower will come on when the stove is hot - usually 15 to 30 minutes.</li> <li>• Electricity Is Cut to the Blower - Check the household breaker or fuse to make sure it is operable.</li> </ul>
<b>Stove Does Not Burn Long Enough</b>	<ul style="list-style-type: none"> <li>• Depending upon wood, draft, and other factors, the burn time may be shorter than stated. Make sure the doors are sealing and not allowing air into the firebox - See the section "Door and Glass Inspection" on page 24 for details.</li> <li>• Check the ash bed for coals. Often, coals are still glowing under a slight bed of flyash. By raking these into a pile you can re-start your stove quickly.</li> </ul>



Must replace components with equipment equivalent to the original or approved by the manufacturer.



Failure to properly maintain and inspect your appliance may reduce the performance and life of the appliance, void your warranty, and create a fire hazard.



Establish a routine for the fuel, wood burner and firing technique. Check daily for creosote build-up until experience shows how often you need to clean to be safe. Be aware that the hotter the fire the less creosote is deposited, and weekly cleaning may be necessary in mild weather even though monthly cleaning may be enough in the coldest months. Contact your local municipal or provincial fire authority for information on how to handle a chimney fire. Have a clearly understood plan to handle a chimney fire.

## Daily Maintenance (while stove is in use)

### Remove Ash (if necessary)

- Ash removal is **not** required once it builds up. 13mm to 26mm of ash may be desirable because it slows the burn rate. Generally, remove ash once it has built up over 26mm. Follow the directions below to remove ash.

- Let the stove cool completely (at least two hours after the last coal has extinguished).
- Place a cloth or cardboard protector over the hearth to catch ash and protect against scratching.
- Open the doors and scoop the ash into a metal container with a tight fitting lid. The closed container of ashes should be placed on a noncombustible floor or on the ground, away from all combustible materials, pending final disposal.



Improperly disposed ashes lead to fires. Hot ashes placed in cardboard boxes, dumped in back yards, or stored in garages, are recipes for disaster.



Wood-burning stoves are inherently dirty. During cleaning have a vacuum ready to catch spilled ash (make sure ash is entirely extinguished).

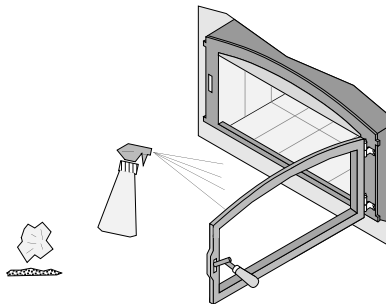


There are vacuum cleaners specifically made to remove ash (even if the ash is warm). Contact your dealer for details.

### Clean the Glass (if necessary)

This appliance has an airwash to keep the glass clean. However, burning un-seasoned wood or burning on lower burn rates leads to dirtier glass (especially on the sides). Do not clean glass with abrasive cleaners. Allow the stove to fully cool before cleaning.

Apply glass cleaner or soapy water to the inside of the glass. Wipe with newspaper or a paper towel to clean. For stubborn creosote, dip a moist paper towel or newspaper in cold ash before cleaning. The ash acts as a mild abrasive.



The glass will develop a very slight haze over time. This is normal and will not affect viewing of the fire.

### Monthly Maintenance (while appliance is in use)



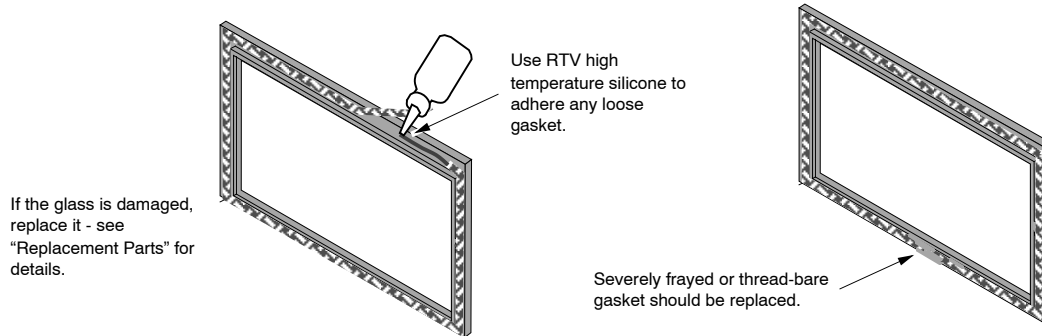
Make sure the appliance has fully cooled prior to conducting service.

#### Door and Glass Inspection



The door can be lifted off the hinges if extensive repairs are conducted.

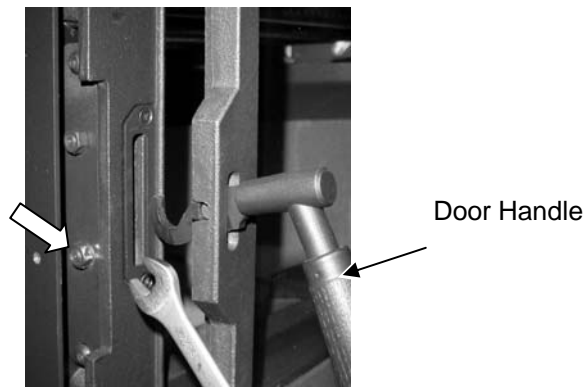
The door must form a seal to the firebox for the stove to work correctly. Inspect the door gasket as shown below.



#### Door Latch Adjustment

The door latch should pull the door against the face of the stove (but not so tight as to not allow full handle rotation). If the latch requires adjustment, follow the directions below.

Remove the face. Loosen the bottom nut with a 7/16" (11.1mm) wrench (see arrow to the right). Tap the bottom nut inwards, moving the door catch inwards. Tighten the nut and test operation. You may need to repeat this process, either moving the nut inwards or outwards, until the door catch is in the correct position.



#### Creosote - Formation and Need for Removal

When wood is burned slowly, it produces tar and other organic vapors, which combine with expelled moisture to form creosote. The creosote vapors condense in the relatively cool chimney flue of a slow-burning fire. As a result, creosote residue accumulates on the flue lining. When ignited, this creosote makes an extremely hot fire. The chimney and chimney connector should be inspected at least once every two months during the heating season to determine if a creosote buildup has occurred. If creosote has accumulated 1/8" (3mm), it should be removed to reduce the risk of a chimney fire.



If you are not certain of creosote inspection, contact your dealer or local chimney sweep for a full inspection. Excess creosote buildup may cause a chimney fire that may result in property damage, injury, or death.



Operating this appliance continually at a low burn rate (air starvation) or using green (un-seasoned) wood will increase the formation of creosote.



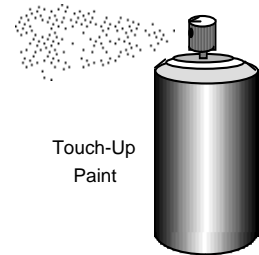
## Yearly Maintenance



Make sure the appliance has fully cooled prior to conducting service.

### Touch-Up Paint

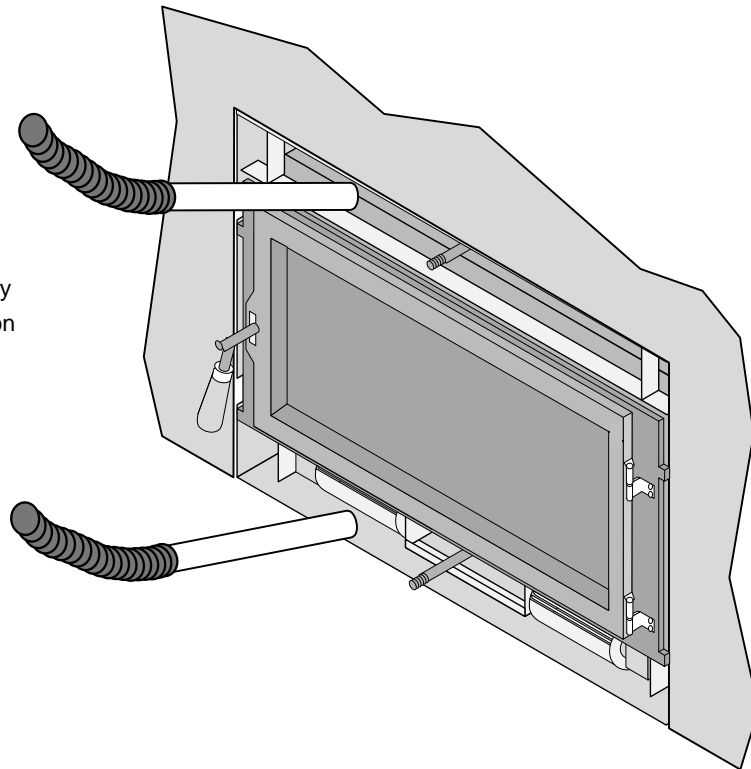
Included with the owner's pack of this appliance is a can of Stove-Brite® paint. To touch up nicks or dulled paint, apply the paint while the appliance is cool. Sand rusted or damaged areas before preparation (use 120-grit sandpaper). Clean and dry the area to prepare the surface. Wait at least one hour before starting the appliance. The touched up area will appear darker than the surrounding paint until it cures from heat. Curing will give off some fumes while curing – open windows to ventilate.



### Cleaning the Air Duct and Blower (if applicable)

Use a vacuum to clean the air ducts (channels). This prevents dust from burning and creating odors. The blower should be vacuumed every year to remove any buildup of dust, lint, etc.

Remove the face. Use a vacuum cleaner to remove any debris or dust in the convection chamber or near the blower (WARNING: do not touch the blower blades).



### Firebrick and Baffle Inspection

Use the illustration on page 27 as a reference for checking the following items. Make sure the appliance is cool before proceeding.

Baffle - check the baffle plate along the ceiling of the firebox to make sure it is intact. Check the bypass assembly.

Secondary Air Tubes - Check the air tubes to make sure they are intact and not severely deteriorated. Slight scaling or rusting of the metal is normal. Make sure the air tubes are secured correctly.

Floor and Wall Firebricks - replace any severely damaged firebrick along the side or floor of the firebox.

**Cleaning the Catalytic Combustor**

NOTE: Use an ash vacuum with brush attachment to clean the catalytic combustor.

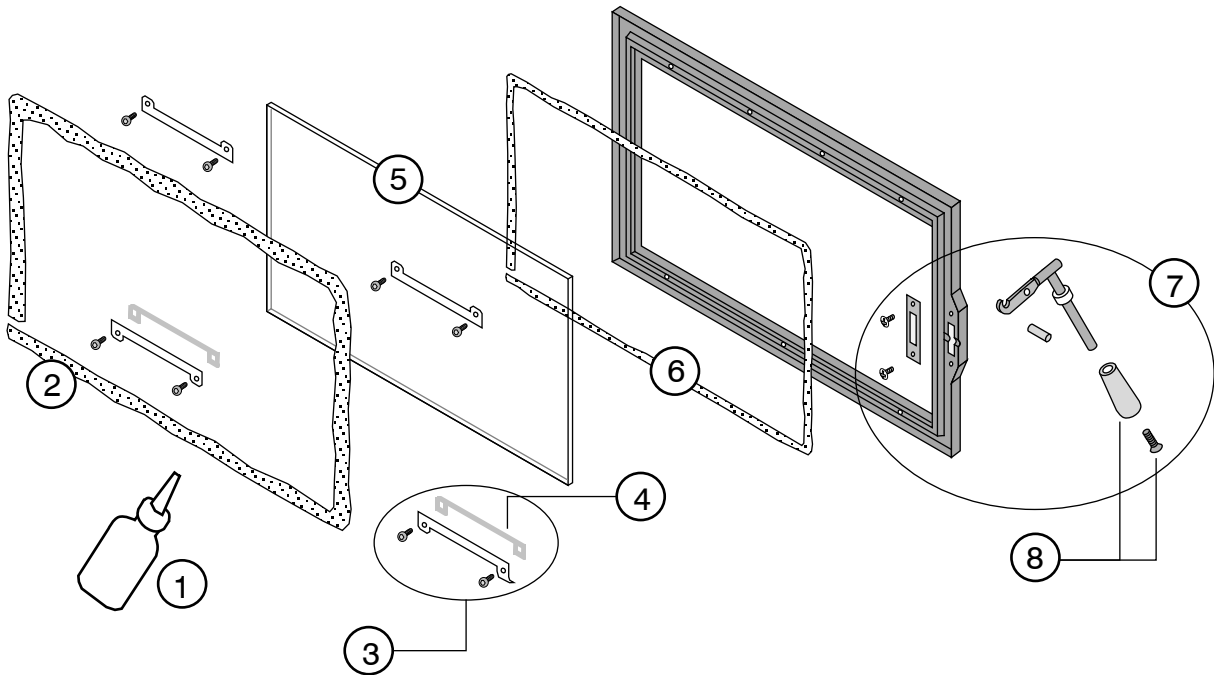
1. With the stove fully cooled, insert the ash vacuum nozzle into the area directly above the door opening.



2. Carefully place the brush surface of the nozzle over the catalytic combustor openings and remove any ash or debris. Take care to prevent damage to the catalytic combustor (the surface is fragile).



**Door Parts**



ID #	Description	Qty.	Part #	ID #	Description	Qty.	Part #
1	Gasket Cement, 4 oz.	1	99900427	2	Door Gasket, 3/8" x 80"	1	99900429
3	(4) Clips w Screws, Gaskets - Rect	1	250-02191	4	(2) Clip Gaskets	1	250-02194
	(4) Clips w Screws, Gaskets - Arched	1	250-02193				
5	Glass (w Gasket) - Rectangle	1	250-02533	6	Glass Gasket (1/4" X 76")	1	250-02184
	Glass (w Gasket) - Arched	1	250-02195				
7	Handle Assembly	1	250-02196	8	Wood Handle w Screw	1	250-01305

**Replacing the Glass**



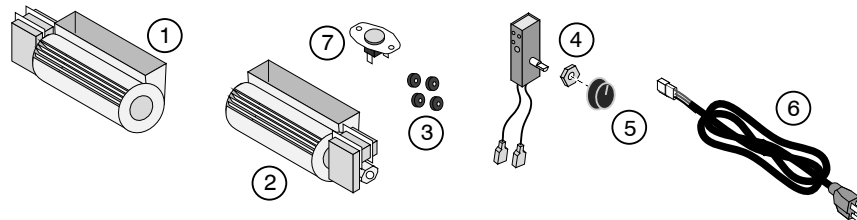
The glass must not contact the door retainer or glass clips directly. The glass gasket and glass clip gaskets insulate the glass to prevent cracking. Do not over-tighten the glass clips. Use only 5mm thick neo-ceramic glass.

Lay the glass gasket in the door frame (cut off excess gasket). Place the glass on the gasket. Secure the glass clips to hold the glass in place (make sure the glass clip gaskets are in place).

**Replacing the Door Gasket**

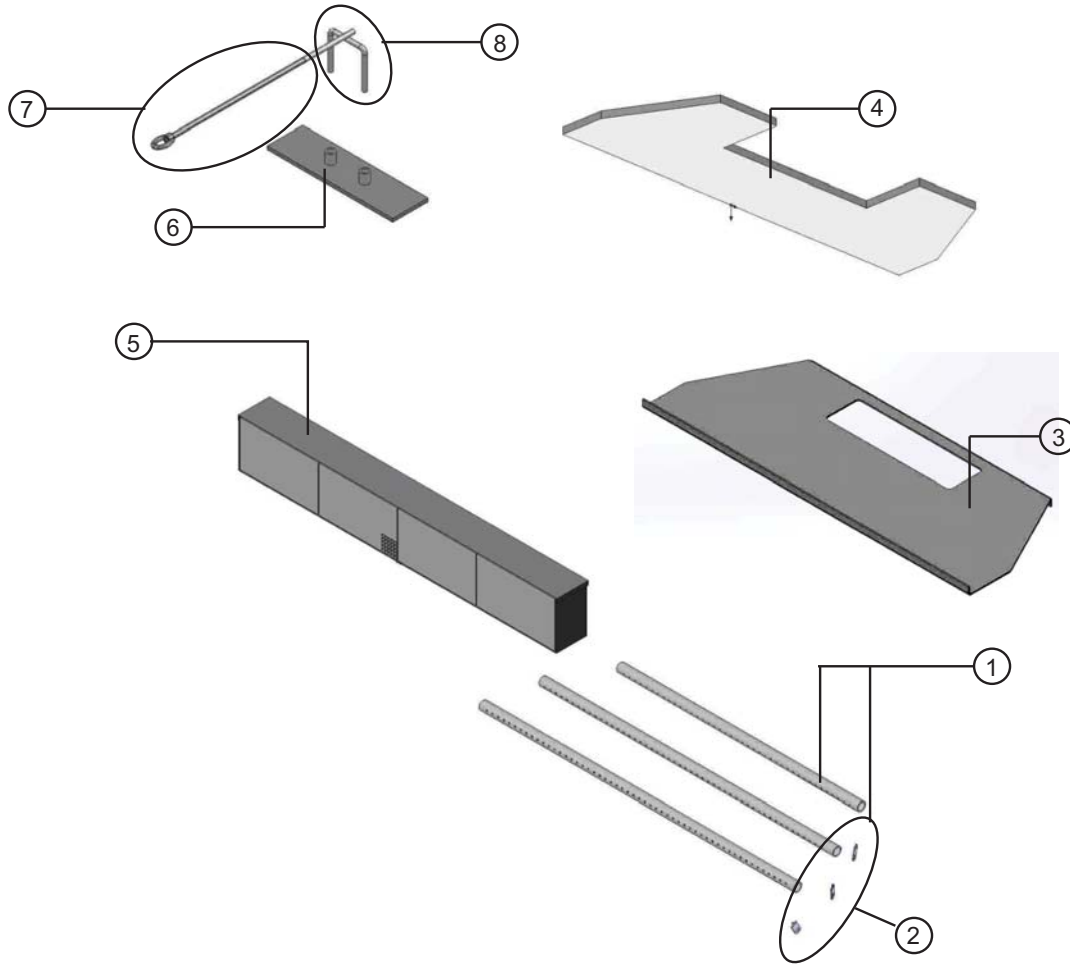
The door gasket inserts into the outer groove of the door retainer. Stove gasket cement holds it in place. Before installing, remove any residual cement. Lay the gasket in place (start at the lower left corner) and cut off any excess gasket (do not stretch the gasket. The cement fully cures with heat from the stove. You may need to open and close the door repeatedly to get the gasket to seat fully.

**Blower and Electrical Parts**



ID #	Description	Qty.	Part #	ID #	Description	Qty.	Part #
1	Left Blower	1		2	Right Blower	1	
3	(4) Blower Grommets w Spacers	1		4	Rheostat	1	
5	Rheostat Knob w Nut	1		6	Power Cord	1	
7	Thermodisk	1					

**Firebox Parts**



**Baffle Parts**

ID #	Description	Qty.	Part #	ID #	Description	Qty.	Part #
1	Sec. Air Tubes w Pins (all 3)	1	250-02491	2	Air Tube Pin (w Screw)		250-02186
3	Baffle	1	250-02490	4	Baffle Insulation	1	250-02494
5	Catalytic Combustor with Gasket	1	250-02489	6	Bypass Slider	1	250-02492
7	Damper Yoke Assembly	1	98900333	8	Yoke	1	250-02493

**Baffle Removal**

- 1 Remove the face to prevent damage. Remove the door (lift off hinges).
- 2 Remove the front two air tubes (see "Air Tube Removal & Replacement" on the following page).
- 3 Remove the baffle plate and insulation.

**Combustor**

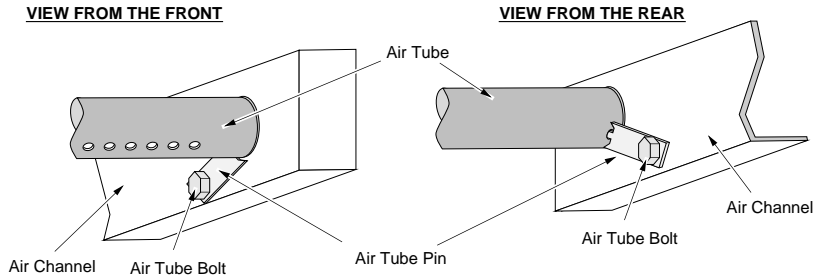
Your combustor is available through an authorized Travis dealer. You can visually check the condition of your combustor by opening the door and looking above the baffle with a flashlight. If there is visible ash accumulation on the surface of your combustor it should be cleaned off with a soft bristled brush. If there is visible creosote buildup (tar substance) on the combustor, burn your stove on high and the creosote should burn off. If the creosote does not burn off your catalyst needs to be replaced. If the insert emits excessive smoke on medium and high burns your catalyst may need replacement.

To remove the combustor first remove the baffle (see Baffle Removal), open the bypass and reach through the bypass hole and push out the combustor from the rear. The combustor is housed in a stainless steel frame; push on the left and right side edges of the combustor frame so that it slides out evenly. If the combustor is pushed at a side angle it will not come out.

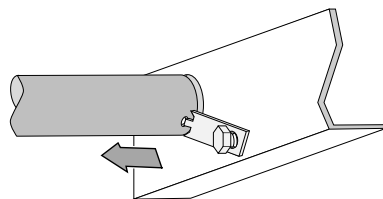
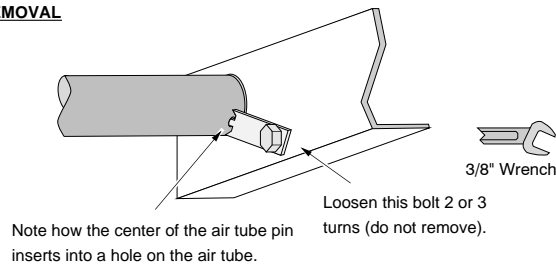
## Air Tube Removal & Replacement



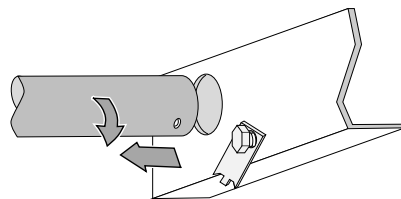
Use penetrating oil (WD-40™ or similar) on the bolts before removing them. Let the oil soak in for several minutes before attempting to remove the bolts.



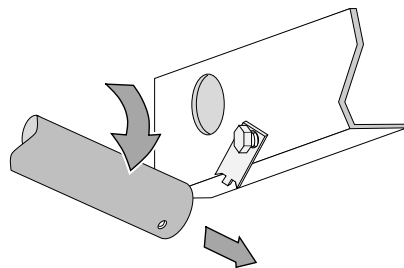
### AIR TUBE REMOVAL



With the bolt loosened the air tube can be slid out of the air channel.



The pin will then disengage from the air tube (you may wish to rotate the tube slightly).



Pivot the air tube downwards and slide it out of the air channel on the opposite side.

### TUBE SIZING

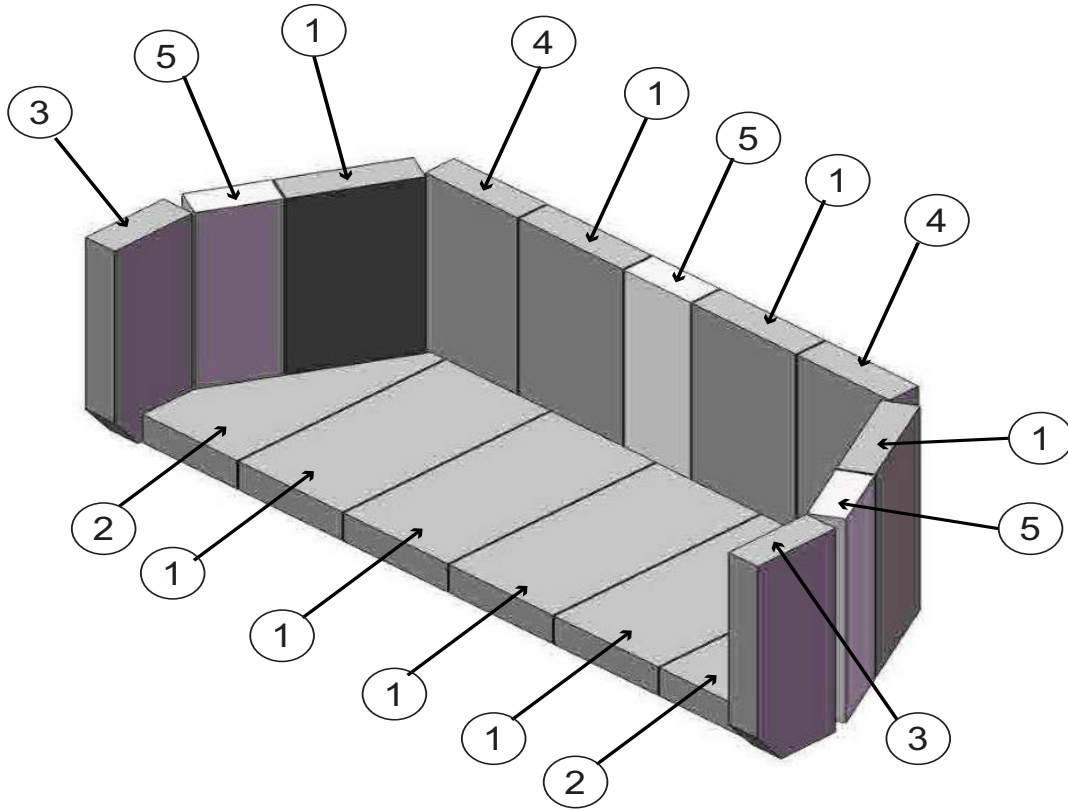
Front Tube = 27-7/8" 709mm

Middle Tube = 26" 661mm

Back Tube = 21-1/4" 540mm

Brick Removal & Replacement

Floor and Side Brick



NOTE: "F" Denotes Full Size Brick (4-1/2" x 9")

ID #	Description	Qty.	Part #	ID #	Description	Qty.	Part #
1	Firebrick	8	251-00000	2	Cut Brick, 9x2.197x.593	2	251-00071
3	Cut Brick, 9x7.175x2.362	2	251-00070	4	Cut Brick, 9x4		251-00003
5	Cut Brick, 9x2-7/8	3	251-00068				



**Do not pry the brick - they chip and crack easily.**

Remove the floor bricks first. The side bricks are pinned in place by the floor firebrick. Clean the firebox prior to replacing the brick.

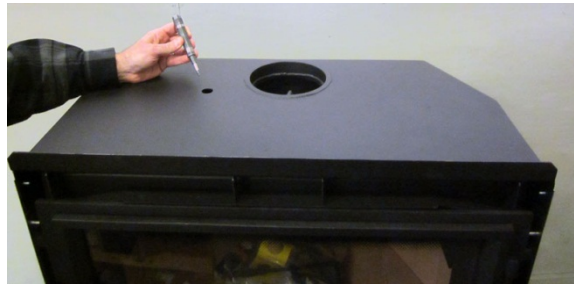
Refer to the section "Baffle Removal" on page 28 for details on removing the baffle bricks.

## Catalytic Combustor Temperature Probe Installation Instructions

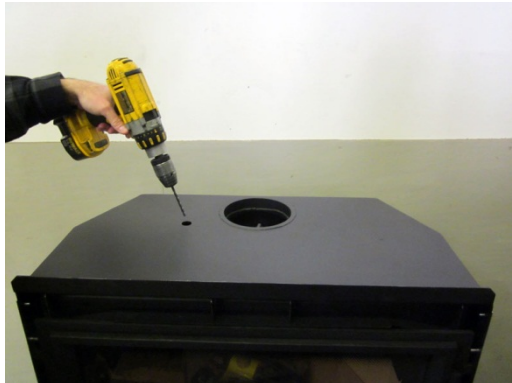
1. Remove the button plug from the top of the heater as shown below.



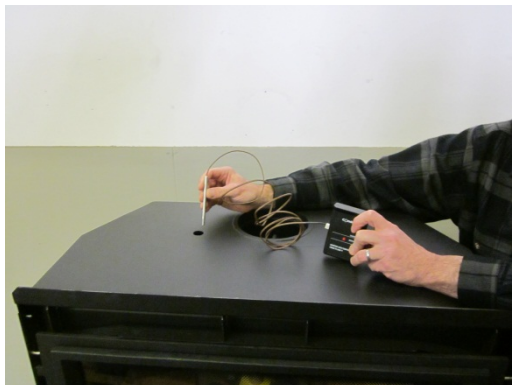
2. Use a center punch to mark the convection top location as shown below.



3. Drill a hole through the convection top. Make sure to use the correct drill bit size to allow for an air-tight seal.

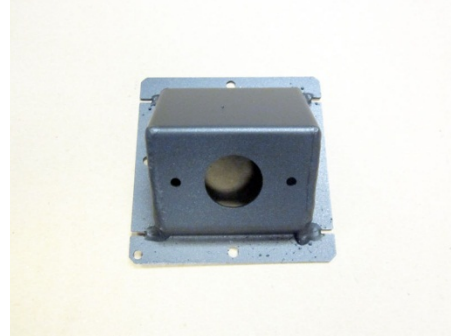


4. Insert the temperature probe to location near the combustor as shown below.



**GreenStart™ Igniter – Firebrick and Housing Installation**

This insert is compatible with the GreenStart™ automatic wood-stove igniter. This optional component uses a specialized firebrick and housing that are shipped with the insert. If you are using the igniter, install these components as shown below. The igniter is installed as shown in the instructions included with the igniter kit.

**Igniter Firebrick****Igniter Housing**

**HINT:** If you are not using the igniter, store these components inside the fireplace cavity in case the homeowner later decides to install them.

1. Remove the two firebricks from the front left corner of the firebox.

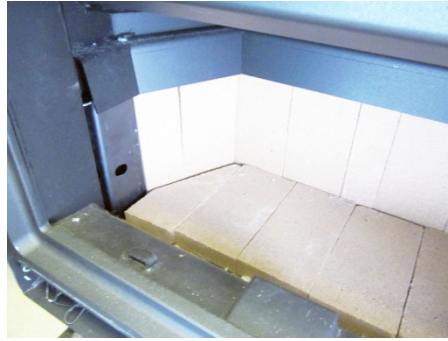


2. Place the igniter firebrick as shown below.

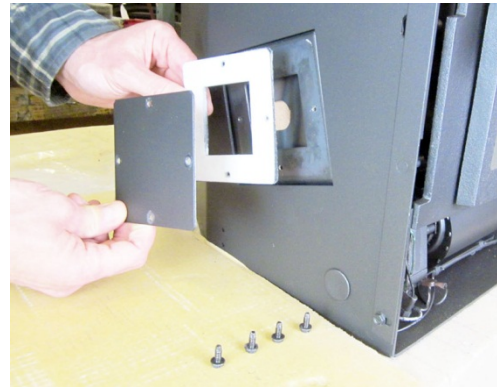




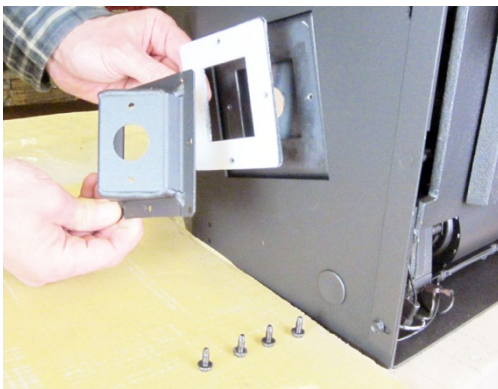
3. Replace the floor firebrick to complete the installation.



4. Remove the cover and gasket using a 5/16" nutdriver. See the photos below.



5. Install the housing as shown below.  
NOTE: The gasket's hole patterns are unique. The housing must be re-installed in the same configuration. If the holes are not aligned, rotate the gasket 90°.



Register your warranty online at [www.dragonwholesaling.com.au](http://www.dragonwholesaling.com.au). Or, mail your warranty card to:  
Dragon Wholesaling Pty. Ltd., Unit 2, 16 Lexington Drive, Bella Vista NSW, Australia 2153.

TRAVIS INDUSTRIES, INC. warrants this appliance (appliance is defined as the equipment manufactured by Travis Industries, Inc.) to be defect-free in material and workmanship to the original purchaser from the date of purchase as follows:

**Check with your dealer in advance for any costs to you when arranging a warranty call.  
Mileage or service charges are not covered by this warranty. This charge can vary from store to store.**

### Years 1 & 2 - COVERAGE: PARTS & LABOR

- Firebox Assembly:  
Firebox, Baffle Supports, Air Tubes, Air Channels, Convection Chamber
- Door Assembly:  
Cast Door, Latch Assembly, Glass Retainers
- Air Control Assembly  
Slider Plate, Pressure Plate
- Ceramic Glass  
Glass (breakage from thermal shock)
- Catalytic Combustor  
Catalytic Combustor (see "Conditions and Exclusions" # 10)
- Firebrick  
Breakage from thermal shock
- Accessories  
Legs, Pedestal, Blower
- Re-Installation Allowance  
In cases where heater must be removed from home for repairs, a partial cost of re-installation is covered (pre-authorization required)
- One-Way Freight Allowance  
One-way freight allowance on pre-authorized repair done at factory is covered.

**Exclusions:** Paint, Gasketing

### Years 3 THROUGH 5 - COVERAGE: PARTS & LABOR

- Firebox Assembly:  
Firebox, Baffle Supports, Air Tubes, Air Channels, Convection Chamber
- Air Control Assembly  
Slider Plate, Pressure Plate
- Catalytic Combustor  
Coverage for thermal crumbling and disintegration only
- Door Assembly:  
Cast Door, Latch Assembly, Glass Retainers
- One-Way Freight Allowance  
One-way freight allowance on pre-authorized repair done at factory is covered.

**Exclusions:** Paint, Gasketing, Accessories (Legs, Pedestal, Panels, Blower), Glass, Firebrick, Re-Installation Allowance

### Years 6 THROUGH 7 - COVERAGE: PARTS

- Firebox Assembly:  
Firebox, Baffle Supports, Air Tubes, Air Channels, Convection Chamber
- Air Control Assembly  
Slider Plate, Pressure Plate
- Door Assembly:  
Cast Door, Latch Assembly, Glass Retainers

**Exclusions:** Paint, Gasketing, Accessories (Legs, Pedestal, Panels, Blower), Glass, Firebrick, Re-Installation Allowance, One-Way Freight Allowance, Labor Charges

**CONDITIONS & EXCLUSIONS**

1. This new appliance must be installed by a qualified installer. It must be installed, operated, and maintained at all times in accordance with the instructions in the Owner's Manual. Any alteration, willful abuse, accident, neglect, or misuse of the product shall nullify this warranty.
2. This warranty is nontransferable, and is made to the ORIGINAL purchaser, provided that the purchase was made through an authorized Travis dealer.
3. Discoloration and some minor expansion, contraction, or movement of certain parts and resulting noise, is normal and not a defect and, therefore, not covered under warranty.
4. This warranty does not cover misuse of the stove. Misuse includes over-firing (operation where the connector or stove may glow red) of this appliance can cause serious damage and will nullify this warranty. Misuse includes use of salt saturated wood, chemically treated wood, or any fuel not recommended in the manual.
5. Damage to the stove due to improper break-in procedures (see manual for proper break in).
6. The salt air environment of coastal areas or a high humidity environment can be corrosive to the castings. These conditions can be corrosive and can cause the cast iron to rust. This warranty does not cover any damage caused by a salt air or high humidity environment.
7. Damage to the appliance while it is in transit is not covered by this warranty, but is subject to a claim against the common carrier.
8. The warranty, as outlined within this document, does not apply to the chimney components or other non-Travis accessories used in conjunction with the installation of this product. If in doubt as to the extent of this warranty, contact your authorized Travis retailer before installation.
9. Travis Industries will not be responsible for inadequate performance caused by environmental conditions such as nearby trees, buildings, roof tops, wind, hills or mountains or negative pressure or other influences from mechanical systems such as furnaces, fans, clothes dryers, etc.
10. Damage to the catalytic combustor due to mishandling, removal, cleaning, or other handling is not covered. Degradation of the combustor due to burning of anything other than natural cord wood is not covered. Burning of trash, garbage, artificial or paper logs, gift wrappings, coal, lighter fluids, chemical starters, treated or painted wood, driftwood or chemical cleaners will void the combustor warranty. These items contain chemicals that may cause the combustor to become deactivated.
11. This Warranty is void if:
  - a. The appliance has been operated in atmospheres contaminated by chlorine, fluorine or other damaging chemicals.
  - b. The appliance is subject to submersion in water or prolonged periods of dampness or condensation.
  - c. Any damage to the appliance, combustion chamber, heat exchanger or other components due to water, or weather damage which is the result of, but not limited to, improper chimney/venting installation.
12. Exclusions to this 5 Year Warranty include: injury, loss of use, damage, failure to function due to accident, negligence, misuse, improper installation, alteration or adjustment of the manufacturer's settings of components, lack of proper and regular maintenance, damage incurred while the appliance is in transit, alteration, or act of God.
13. This 5 Year warranty excludes damage caused by normal wear and tear, such as paint discoloration or chipping, worn or torn gasketing, chipped or cracked firebrick, etc. Also excluded is damage to the appliance caused by abuse, improper installation, modification of the appliance, or the use of fuel other than that for which the appliance is configured (use cord wood only).
14. Damage to brass or plated surfaces caused by fingerprints, scratches, melted items, or other external sources left on the surfaces from the use of abrasive cleaners is not covered in this warranty. Damage to the surfaces from over-firing (operation where the steel may glow red) is not covered in this warranty.
15. TRAVIS INDUSTRIES, INC. is free of liability for any damages caused by the appliance, as well as inconvenience expenses and materials. Incidental or consequential damages are not covered by this warranty. In some states, the exclusion of incidental or consequential damage may not apply.
16. This warranty does not cover any loss or damage incurred by the use or removal of any component or apparatus to or from the Travis appliance without the express written permission of TRAVIS INDUSTRIES, INC. and bearing a TRAVIS INDUSTRIES, INC. label of approval. This warranty does not cover a stove repaired by someone other than a Travis Industries authorized dealer.
17. Any statement or representation of Travis products and their performance contained in Travis advertising, packaging literature, or printed material is not part of this 5 year warranty.
18. This warranty is automatically voided if the appliance's serial number has been removed or altered in any way. If the appliance is used for commercial purposes, it is excluded from this warranty.
19. No dealer, distributor, or similar person has the authority to represent or warrant Travis products beyond the terms contained within this warranty. TRAVIS INDUSTRIES, INC. assumes no liability for such warranties or representations.
20. Travis Industries will not cover the cost of the removal or re-installation of hearths, facing, mantels, venting or other components.
21. If for any reason any section of this warranty is declared invalid, the balance of the warranty remains in effect and all other clauses shall remain in effect.
22. This 5 year warranty is the only warranty supplied by Travis Industries, Inc., the manufacturer of the appliance. All other warranties, whether express or implied, are hereby expressly disclaimed and purchaser's recourse is expressly limited to the warranties set forth herein.

**IF WARRANTY SERVICE IS NEEDED:**

1. If you discover a problem that you believe is covered by this warranty, you MUST REPORT it to your Travis dealer WITHIN 30 DAYS, giving them proof of purchase, the purchase date, and the model name and serial number.
2. Travis Industries has the option of either repairing or replacing the defective component.
3. If your dealer is unable to repair your appliance's defect, he may process a warranty claim through TRAVIS INDUSTRIES, INC., including the name of the dealership where you purchased the appliance, a copy of your receipt showing the date of the appliance's purchase, and the serial number on your appliance. At that time, you may be asked to ship your appliance, freight charges prepaid, to TRAVIS INDUSTRIES, INC. TRAVIS INDUSTRIES, INC., at its option, will repair or replace, free of charge, your appliance if it is found to be defective in material or workmanship within the time frame stated within this 5 year warranty. TRAVIS INDUSTRIES, INC. will return your appliance, freight charges (years 1 to 3) prepaid by TRAVIS INDUSTRIES, INC., to your regional distributor, or dealership.
4. Check with your dealer in advance for any costs to you when arranging a warranty call. Mileage or service charges are not covered by this warranty. This charge can vary from store to store.
5. Any appliance or part thereof that is repaired or replaced during the limited warranty period will be warranted under the terms of the limited warranty for a period not to exceed the remaining term of the original limited warranty or six(6) months, whichever is longer.

Listing Label

LOPI FLUSH WOOD HYBRID-FYRE™ INBUILT

TESTED BY: HRL TECHNOLOGY  
Tramway Road, Morwell 3840  
Victoria

- MAXIMUM AVERAGE HEAT OUTPUT BURNING HARDWOOD = 9 KW
- OVERALL AVERAGE EFFICIENCY BURNING HARDWOOD = 67%  
WHEN TESTED IN ACCORDANCE WITH AS/NZS 4012/4013
- APPLIANCE EMISSION FACTOR BURNING HARDWOOD = 0.9 g/Kg

TESTED TO: AS/NZS 4012/4013: 1999

REPORT NUMBER: HCMG/12/022

Manufactured Exclusively for:  
DRAGON WHOLESALING PTY. LTD., INC.  
UNIT 2, 16 Lexington Drive  
Bella Vista NSW 2153  
Australia

By:  
TRAVIS INDUSTRIES, INC.  
Mukilteo, WA USA

---

U.S. Environmental Protection Agency  
Export Stove. May not be operated within the United States

---

Date of Manufacture

2012	2013	2014	JAN	FEB	MAR	APR	MAY	JUN	JUL	AUG	SEP	OCT	NOV	DEC
<input type="checkbox"/>	<input type="checkbox"/>	<input type="checkbox"/>	<input type="checkbox"/>	<input type="checkbox"/>	<input type="checkbox"/>	<input type="checkbox"/>	<input type="checkbox"/>	<input type="checkbox"/>	<input type="checkbox"/>	<input type="checkbox"/>	<input type="checkbox"/>	<input type="checkbox"/>	<input type="checkbox"/>	<input type="checkbox"/>

1021



Additional Accessories Needed for Installation..	7	Heating Specifications .....	6
Adjusting the Burn Rate .....	19	Hints for Burning .....	21
Air Tube Removal & Replacement.....	29	Important Information.....	2
Ash Removal.....	19	Insert Placement Requirements .....	9
Baffle Parts.....	28	Insert Rollers.....	10
Baffle Removal.....	28	Installation Options .....	6
Before Your First Fire.....	15	Introduction .....	2
Blower and Electrical Parts .....	27	Listing Label.....	36
Blower Operation .....	20	Mantel Requirements.....	10
Brick Removal & Replacement .....	30	Masonry Fireplace Requirements.....	10
Bypass Operation.....	17	Monthly Maintenance (while appliance is in use) .....	24
Catalytic Combustor Temperature Probe Installation Instructions .....	31	Normal Operating Sounds .....	20
Clean the Glass.....	23	Opening the Door.....	16
Cleaning the Air Duct and Blower .....	25	Over-Firing the Stove.....	15
Cleaning the Catalytic Combustor .....	26	Overnight Burn.....	20
Combustor.....	28	Planning the Installation.....	7
Creosote - Formation and Need for Removal..	24	Preparation for Installation.....	7
Curing the Paint .....	15	Re-Loading the Stove .....	20
Daily Maintenance (while stove is in use) .....	23	Remove Ash .....	23
Dimensions .....	6	Replacing the Door Gasket.....	27
Door and Glass Inspection.....	24	Replacing the Glass.....	27
Door Latch Adjustment.....	24	Re-Routing the Electrical Cord to the Left Side .....	14
Door Parts .....	27	Safety Notice.....	15
Drafting Performance .....	10	Sealing the Flue to the Insert.....	12
Face Installation .....	13	Selecting Wood.....	21
Features .....	6	Starting a Fire .....	18
Fettle Installation .....	11	Surround Panel Installation.....	13
Firebox Parts.....	28	Touch-Up Paint.....	25
Firebrick and Baffle Inspection.....	25	Troubleshooting .....	22
Fireplace Altered Tag.....	8	Verify the Installation .....	15
Fireplace Requirements .....	8	Wood Cutting and Storage .....	21
Flue Installation .....	12	Yearly Maintenance .....	25
GreenStart™ Igniter – Firebrick Installation .....	32		