



Moresky Hardware Residential



Catalog

Contact: manager@moresky.com
 Add: No.901, Yinxiu road, Liyuan Industrial Zone, Wuxi, China
www.moresky.com
www.moresky.ca



Whatsapp

Table of Content

HandleSet	2
Lever	14
Knob	48
Combo Set	52
Deadbolt	56
Cylindrical	60
Latch	66
Strike/Keyway	67

Locks and Hardware Manufacturing
 Security & Style Since 2004

Our Products:

- Locks: Deadbolts, levers, knobs, mortise & rim locks.
- Cylinders: Master key, mortise, oval & cross key.
- Door Hardwares: Hinges, handles, knockers & more.

Our Strengths:

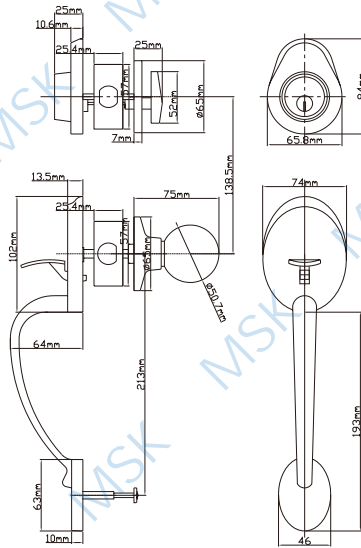
- Advanced CNC, laser, molding, die-casting & automated assembly.
- Custom solutions & in-house locksmith services.
- Certified by ISO, CE, BV, ANSI, UL & SGS.
- Rigorously tested for security, durability & corrosion resistance.

Moresky - Where Craft Meets Security





9910



Entry Handle-Set Series

Material: Zinc alloy

Function: Entrance

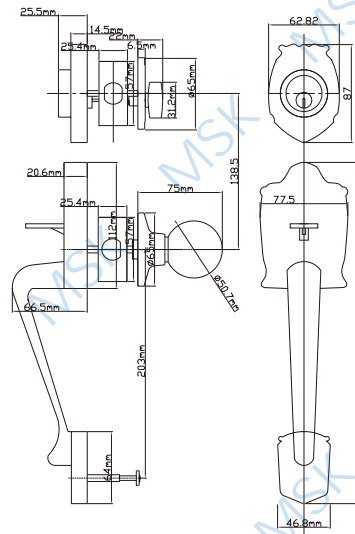
Option: Single cylinder single handle / Double cylinder single handle

Finish: Satin nickel / Matte black / Oil rubbed bronze / Antique brass / Antique copper / Satin chrome / Chrome plated / Antique nickel / Polished brass

Standard door thickness: 35-45mm



9911



Entry Handle-Set Series

Material: Zinc alloy

Function: Entrance

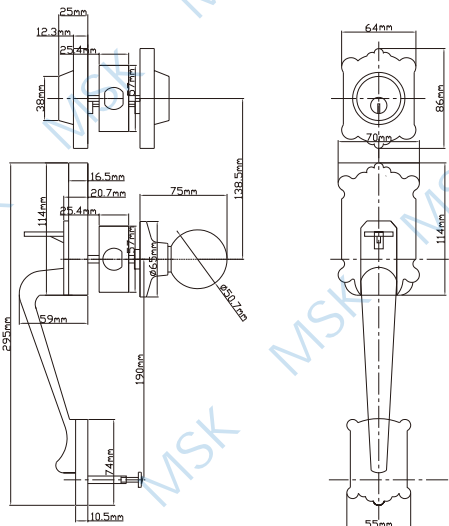
Option: Single cylinder single handle / Double cylinder single handle

Finish: Satin nickel / Matte black / Oil rubbed bronze / Antique brass / Antique copper / Satin chrome / Chrome plated / Antique nickel / Polished brass

Standard door thickness: 35-45mm



9912



Entry Handle-Set Series

Material: Zinc alloy

Function: Entrance

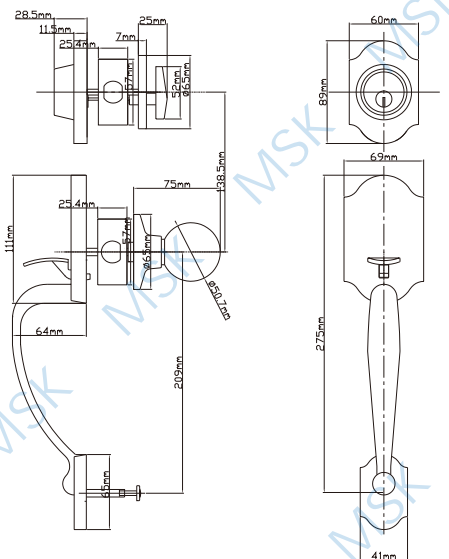
Option: Single cylinder single handle / Double cylinder single handle

Finish: Satin nickel / Matte black / Oil rubbed bronze / Antique brass / Antique copper / Satin chrome / Chrome plated / Antique nickel / Polished brass

Standard door thickness: 35-45mm



9913



Entry Handle-Set Series

Material: Zinc alloy

Function: Entrance

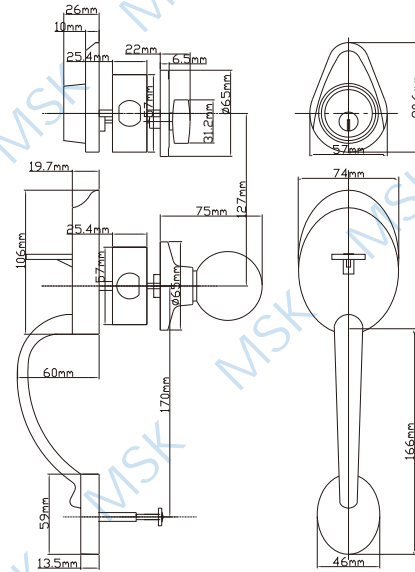
Option: Single cylinder single handle / Double cylinder single handle

Finish: Satin nickel / Matte black / Oil rubbed bronze / Antique brass / Antique copper / Satin chrome / Chrome plated / Antique nickel / Polished brass

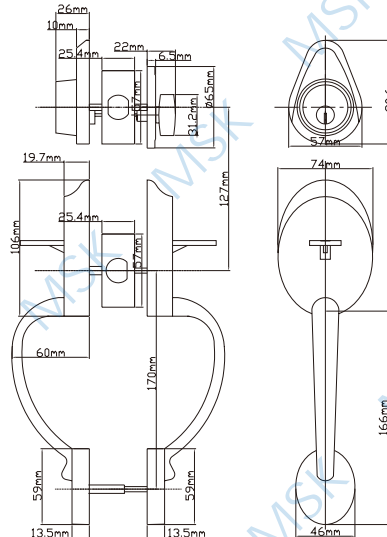
Standard door thickness: 35-45mm



9915A



9915B



Entry Handle-Set Series

Material: Zinc alloy

Function: Entrance

Option: Single cylinder single handle / Double cylinder single handle

Finish: Satin nickel / Matte black / Oil rubbed bronze / Antique brass / Antique copper / Satin chrome / Chrome plated / Antique nickel / Polished brass

Standard door thickness: 35-45mm

Entry Handle-Set Series

Material: Zinc alloy

Function: Entrance

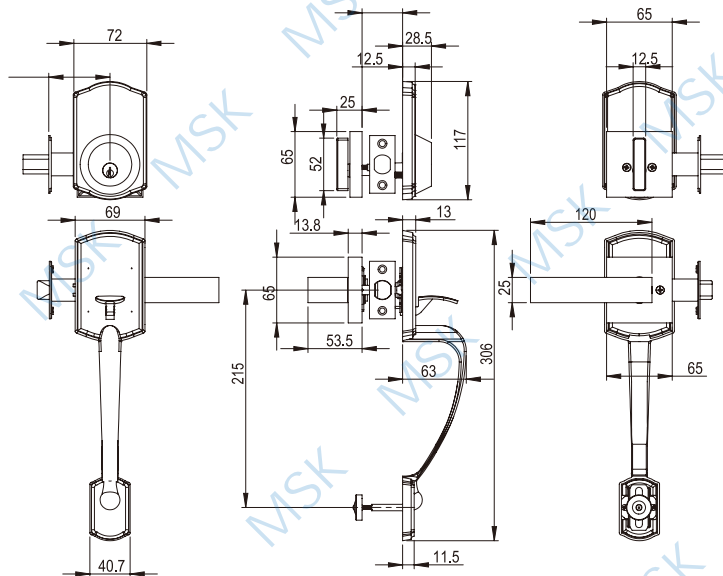
Option: Single cylinder single handle / Double cylinder single handle

Finish: Satin nickel / Matte black / Oil rubbed bronze / Antique brass / Antique copper / Satin chrome / Chrome plated / Antique nickel / Polished brass

Standard door thickness: 35-45mm



9936



Entry Handle-Set Series

Material: Zinc alloy

Function: Entrance

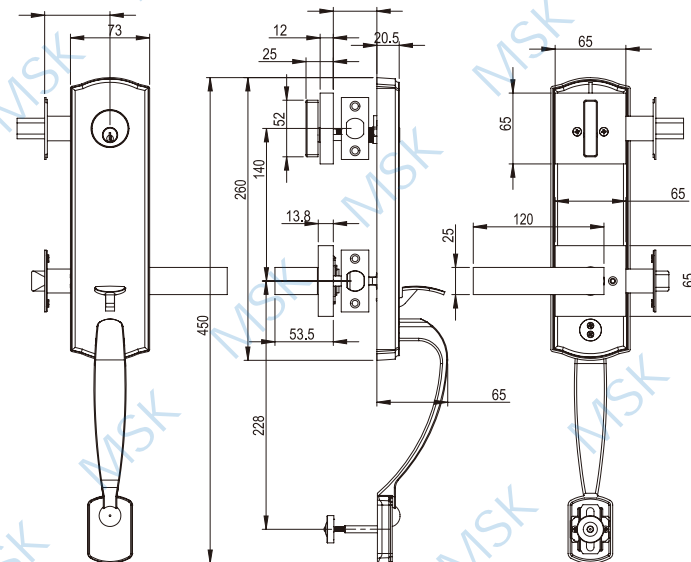
Option: Single cylinder single handle / Double cylinder single handle

Finish: Satin nickel / Matte black / Oil rubbed bronze / Antique brass / Antique copper / Satin chrome / Chrome plated / Antique nickel / Polished brass

Standard door thickness: 35-45mm



9937



Entry Handle-Set Series

Material: Zinc alloy

Function: Entrance

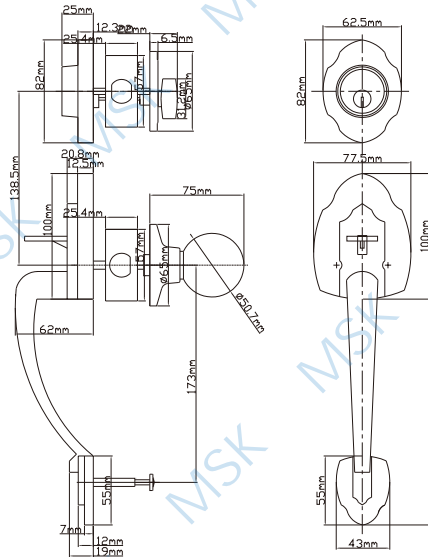
Option: Single cylinder single handle / Double cylinder single handle

Finish: Satin nickel / Matte black / Oil rubbed bronze / Antique brass / Antique copper / Satin chrome / Chrome plated / Antique nickel / Polished brass

Standard door thickness: 35-45mm



9918



Entry Handle-Set Series

Material: Zinc alloy

Function: Entrance

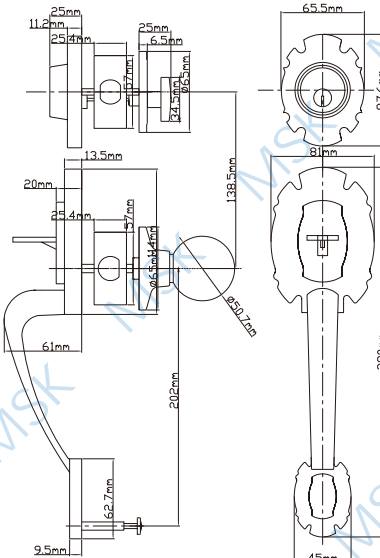
Option: Single cylinder single handle / Double cylinder single handle

Finish: Satin nickel / Matte black / Oil rubbed bronze / Antique brass / Antique copper / Satin chrome / Chrome plated / Antique nickel / Polished brass

Standard door thickness: 35-45mm



9919



Entry Handle-Set Series

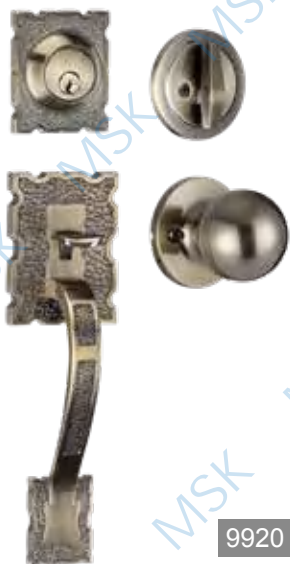
Material: Zinc alloy

Function: Entrance

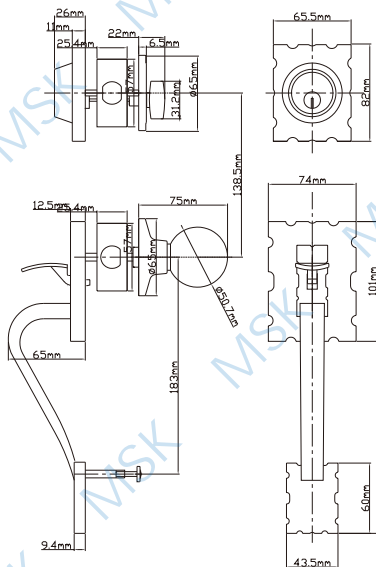
Option: Single cylinder single handle / Double cylinder single handle

Finish: Satin nickel / Matte black / Oil rubbed bronze / Antique brass / Antique copper / Satin chrome / Chrome plated / Antique nickel / Polished brass

Standard door thickness: 35-45mm



9920



Entry Handle-Set Series

Material: Zinc alloy

Function: Entrance

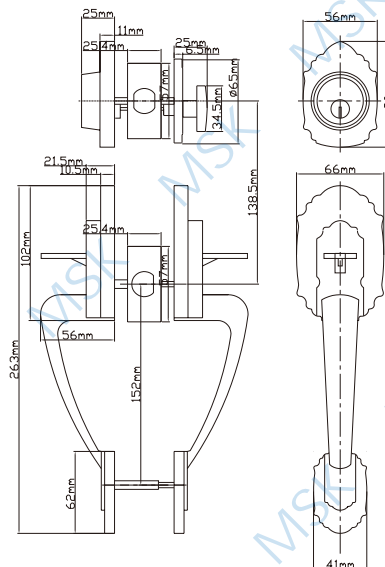
Option: Single cylinder single handle / Double cylinder single handle

Finish: Satin nickel / Matte black / Oil rubbed bronze / Antique brass / Antique copper / Satin chrome / Chrome plated / Antique nickel / Polished brass

Standard door thickness: 35-45mm



9921



Entry Handle-Set Series

Material: Zinc alloy

Function: Entrance

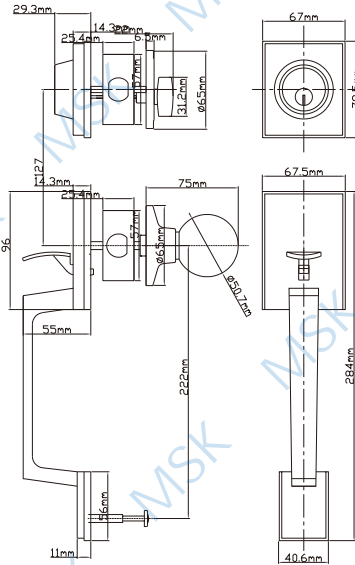
Option: Single cylinder single handle / Double cylinder single handle

Finish: Satin nickel / Matte black / Oil rubbed bronze / Antique brass / Antique copper / Satin chrome / Chrome plated / Antique nickel / Polished brass

Standard door thickness: 35-45mm



9922A



Entry Handle-Set Series

Material: Zinc alloy

Function: Entrance

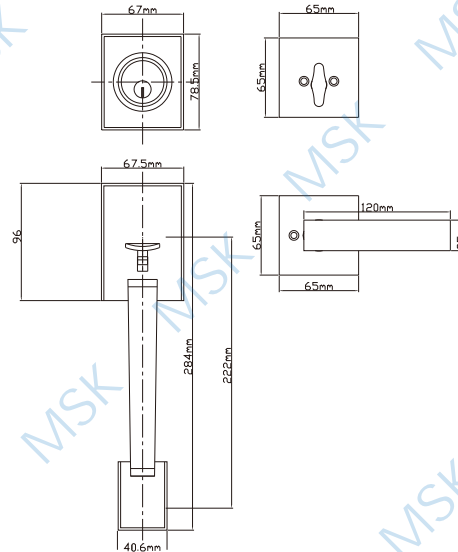
Option: Single cylinder single handle / Double cylinder single handle

Finish: Satin nickel / Matte black / Oil rubbed bronze / Antique brass / Antique copper / Satin chrome / Chrome plated / Antique nickel / Polished brass

Standard door thickness: 35-45mm



9922B



Entry Handle-Set Series

Material: Zinc alloy

Function: Entrance

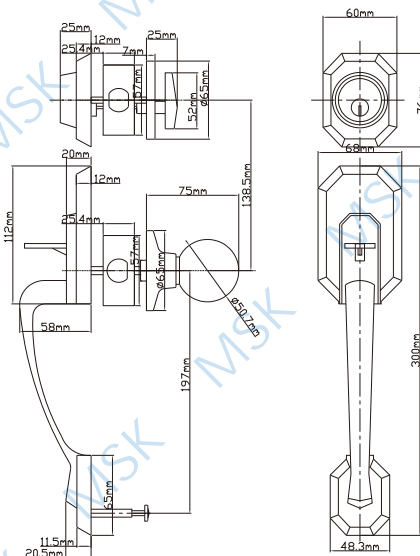
Option: Single cylinder single handle / Double cylinder single handle

Finish: Satin nickel / Matte black / Oil rubbed bronze / Antique brass / Antique copper / Satin chrome / Chrome plated / Antique nickel / Polished brass

Standard door thickness: 35-45mm



9923



Entry Handle-Set Series

Material: Zinc alloy

Function: Entrance

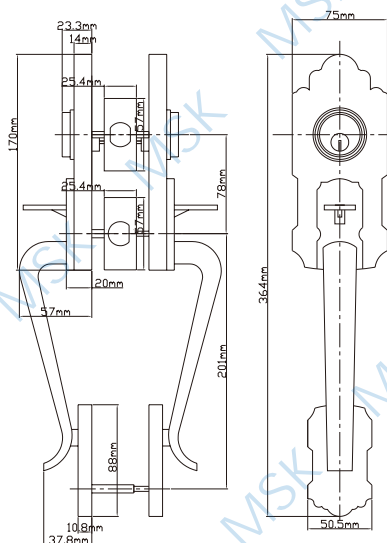
Option: Single cylinder single handle / Double cylinder single handle

Finish: Satin nickel / Matte black / Oil rubbed bronze / Antique brass / Antique copper / Satin chrome / Chrome plated / Antique nickel / Polished brass

Standard door thickness: 35-45mm



9925



Entry Handle-Set Series

Material: Zinc alloy

Function: Entrance

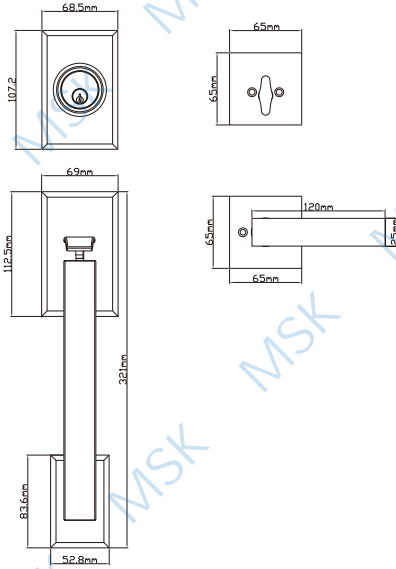
Option: Single cylinder single handle / Double cylinder single handle

Finish: Satin nickel / Matte black / Oil rubbed bronze / Antique brass / Antique copper / Satin chrome / Chrome plated / Antique nickel / Polished brass

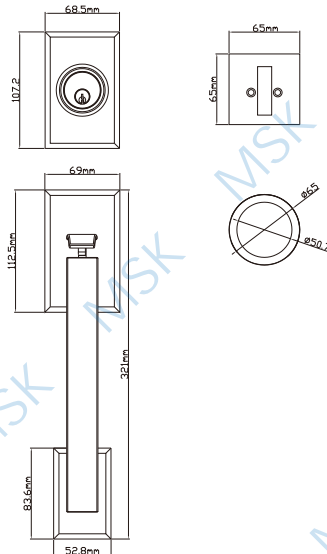
Standard door thickness: 35-45mm



9928A



9928B



Entry Handle-Set Series

Material: Zinc alloy

Function: Entrance

Option: Single cylinder single handle / Double cylinder single handle

Finish: Satin nickel / Matte black / Oil rubbed bronze / Antique brass / Antique copper / Satin chrome / Chrome plated / Antique nickel / Polished brass

Standard door thickness: 35-45mm

Entry Handle-Set Series

Material: Zinc alloy

Function: Entrance

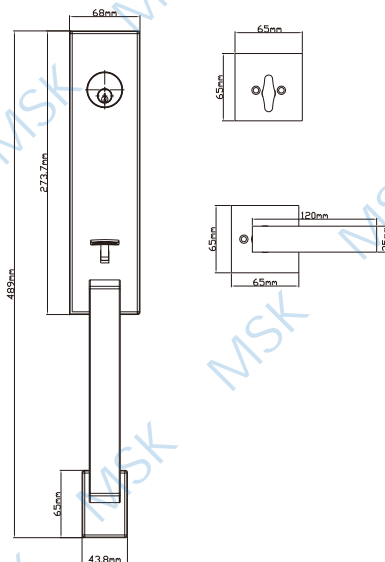
Option: Single cylinder single handle / Double cylinder single handle

Finish: Satin nickel / Matte black / Oil rubbed bronze / Antique brass / Antique copper / Satin chrome / Chrome plated / Antique nickel / Polished brass

Standard door thickness: 35-45mm



9929



Entry Handle-Set Series

Material: Zinc alloy

Function: Entrance

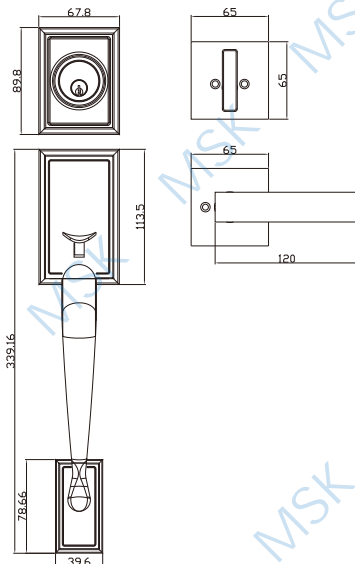
Option: Single cylinder single handle /
Double cylinder single handle

Finish: Satin nickel / Matte black / Oil
rubbed bronze / Antique brass / Antique
copper / Satin chrome / Chrome plated /
Antique nickel / Polished brass

Standard door thickness: 35-45mm



9930



Entry Handle-Set Series

Material: Zinc alloy

Function: Entrance

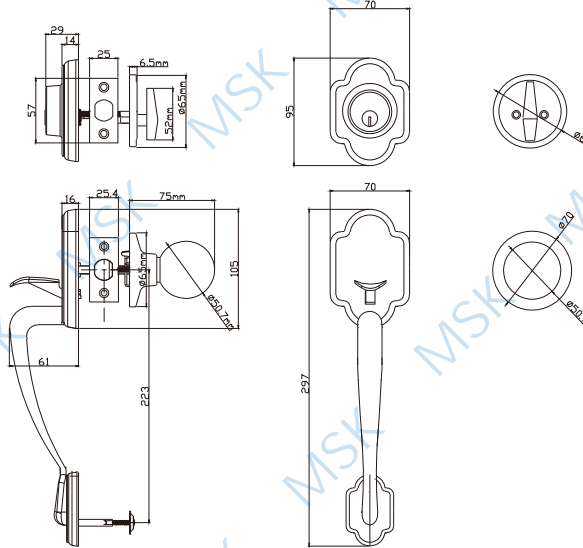
Option: Single cylinder single handle /
Double cylinder single handle

Finish: Satin nickel / Matte black / Oil
rubbed bronze / Antique brass / Antique
copper / Satin chrome / Chrome plated /
Antique nickel / Polished brass

Standard door thickness: 35-45mm



9931



Entry Handle-Set Series

Material: Zinc alloy

Function: Entrance

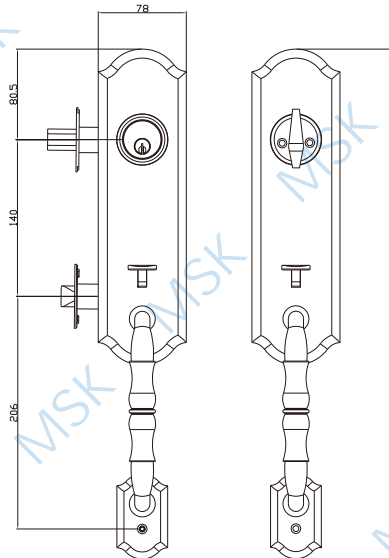
Option: Single cylinder single handle / Double cylinder single handle

Finish: Satin nickel / Matte black / Oil rubbed bronze / Antique brass / Antique copper / Satin chrome / Chrome plated / Antique nickel / Polished brass

Standard door thickness: 35-45mm



9932



Entry Handle-Set Series

Material: Zinc alloy

Function: Entrance

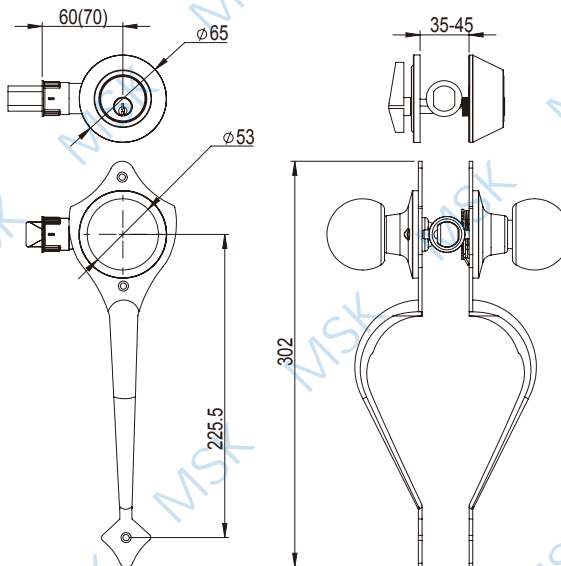
Option: Single cylinder single handle / Double cylinder single handle

Finish: Satin nickel / Matte black / Oil rubbed bronze / Antique brass / Antique copper / Satin chrome / Chrome plated / Antique nickel / Polished brass

Standard door thickness: 35-45mm



9933



Entry Handle-Set Series

Material: Zinc alloy

Function: Entrance

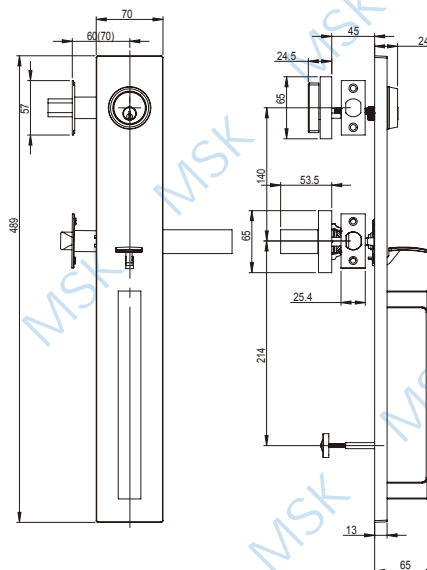
Option: Single cylinder single handle /
Double cylinder single handle

Finish: Satin nickel / Matte black / Oil
rubbed bronze / Antique brass / Antique
copper / Satin chrome / Chrome plated /
Antique nickel / Polished brass

Standard door thickness: 35-45mm



9935



Entry Handle-Set Series

Material: Zinc alloy

Function: Entrance

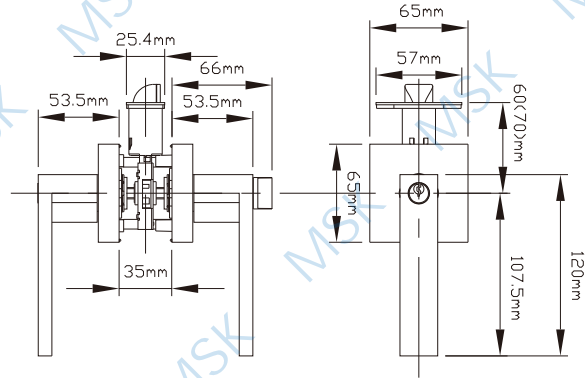
Option: Single cylinder single handle /
Double cylinder single handle

Finish: Satin nickel / Matte black / Oil
rubbed bronze / Antique brass / Antique
copper / Satin chrome / Chrome plated /
Antique nickel / Polished brass

Standard door thickness: 35-45mm



A8801



Heavy-duty lever lock series

Material: Zinc alloy

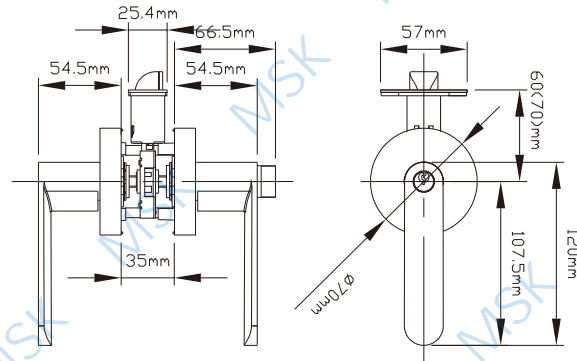
Function: Entrance / Privacy / Passage / Dummy

Finish: Satin nickel / Matte black / Oil rubbed bronze / Antique brass / Antique copper / Satin chrome / Chrome plated / Antique nickel / Polished brass

Standard door thickness: 35-50mm



B8802



Heavy-duty lever lock series

Material: Zinc alloy

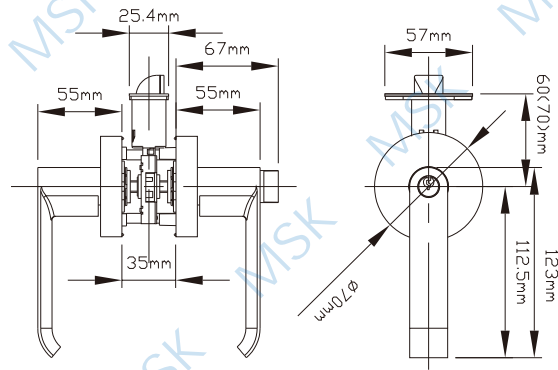
Function: Entrance / Privacy / Passage / Dummy

Finish: Satin nickel / Matte black / Oil rubbed bronze / Antique brass / Antique copper / Satin chrome / Chrome plated / Antique nickel / Polished brass

Standard door thickness: 35-50mm



B8803



Heavy-duty lever lock series

Material: Zinc alloy

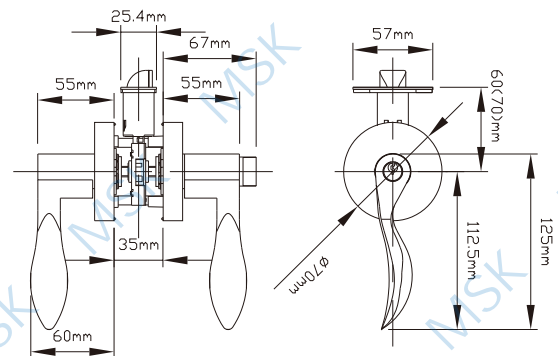
Function: Entrance / Privacy / Passage / Dummy

Finish: Satin nickel / Matte black / Oil rubbed bronze / Antique brass / Antique copper / Satin chrome / Chrome plated / Antique nickel / Polished brass

Standard door thickness: 35-50mm



B8805



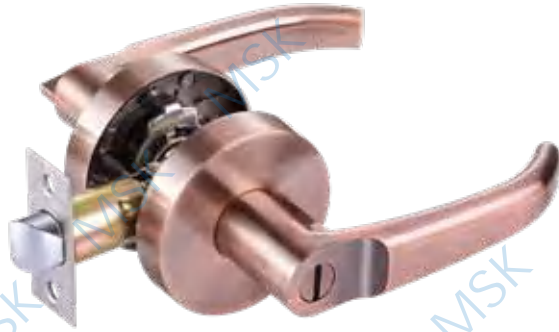
Heavy-duty lever lock series

Material: Zinc alloy

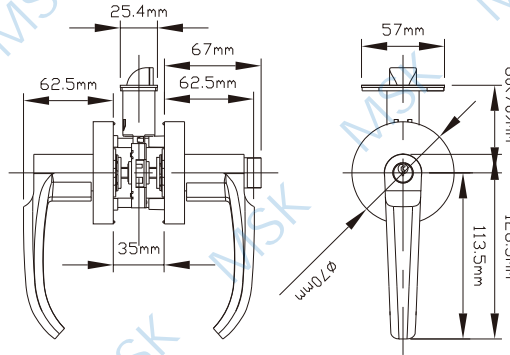
Function: Entrance / Privacy / Passage / Dummy

Finish: Satin nickel / Matte black / Oil rubbed bronze / Antique brass / Antique copper / Satin chrome / Chrome plated / Antique nickel / Polished brass

Standard door thickness: 35-50mm



B8806



Heavy-duty lever lock series

Material: Zinc alloy

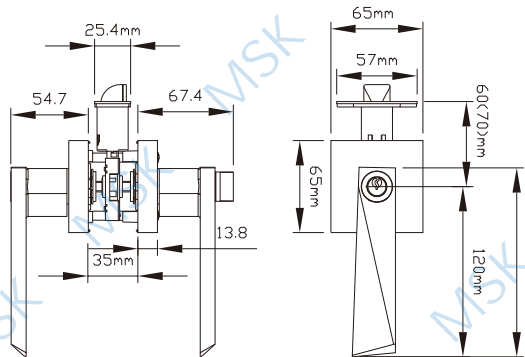
Function: Entrance / Privacy / Passage / Dummy

Finish: Satin nickel / Matte black / Oil rubbed bronze / Antique brass / Antique copper / Satin chrome / Chrome plated / Antique nickel / Polished brass

Standard door thickness: 35-50mm



A8807



Heavy-duty lever lock series

Material: Zinc alloy

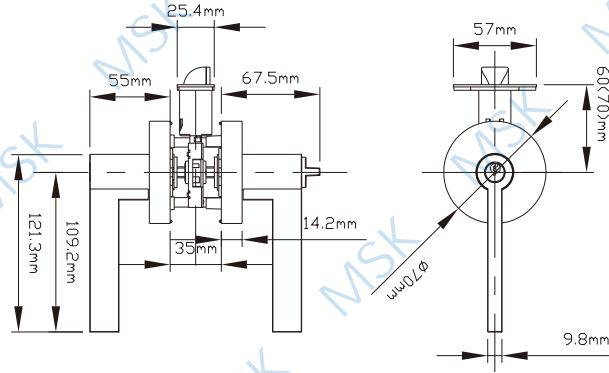
Function: Entrance / Privacy / Passage / Dummy

Finish: Satin nickel / Matte black / Oil rubbed bronze / Antique brass / Antique copper / Satin chrome / Chrome plated / Antique nickel / Polished brass

Standard door thickness: 35-50mm



B8808



Heavy-duty lever lock series

Material: Zinc alloy

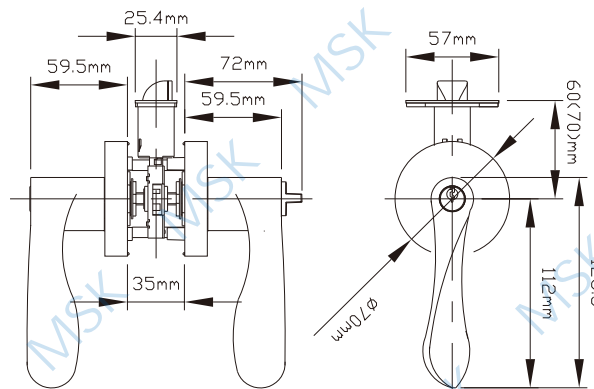
Function: Entrance / Privacy / Passage / Dummy

Finish: Satin nickel / Matte black / Oil rubbed bronze / Antique brass / Antique copper / Satin chrome / Chrome plated / Antique nickel / Polished brass

Standard door thickness: 35-50mm



B8809



Heavy-duty lever lock series

Material: Zinc alloy

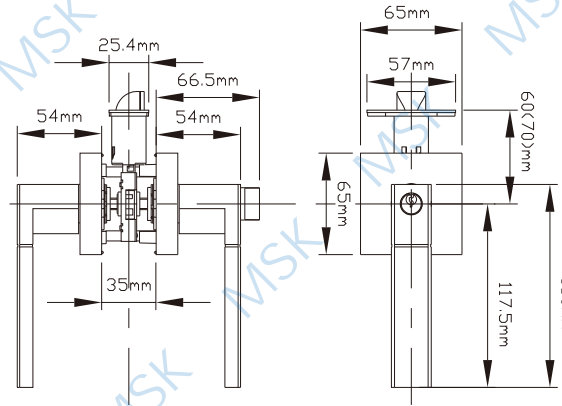
Function: Entrance / Privacy / Passage / Dummy

Finish: Satin nickel / Matte black / Oil rubbed bronze / Antique brass / Antique copper / Satin chrome / Chrome plated / Antique nickel / Polished brass

Standard door thickness: 35-50mm



A8812



Heavy-duty lever lock series

Material: Zinc alloy

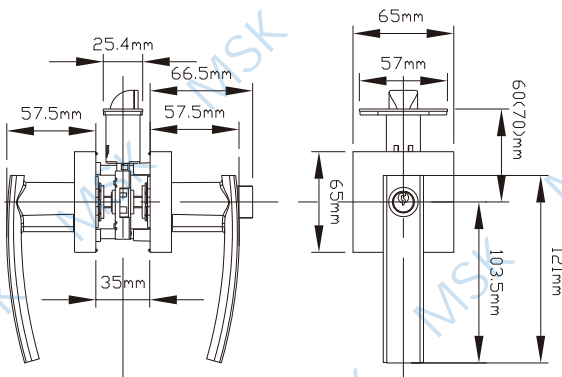
Function: Entrance / Privacy / Passage / Dummy

Finish: Satin nickel / Matte black / Oil rubbed bronze / Antique brass / Antique copper / Satin chrome / Chrome plated / Antique nickel / Polished brass

Standard door thickness: 35-50mm



A8813



Heavy-duty lever lock series

Material: Zinc alloy

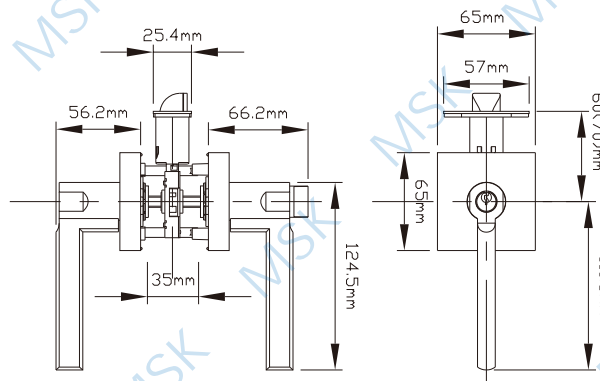
Function: Entrance / Privacy / Passage / Dummy

Finish: Satin nickel / Matte black / Oil rubbed bronze / Antique brass / Antique copper / Satin chrome / Chrome plated / Antique nickel / Polished brass

Standard door thickness: 35-50mm



A8815



Heavy-duty lever lock series

Material: Zinc alloy

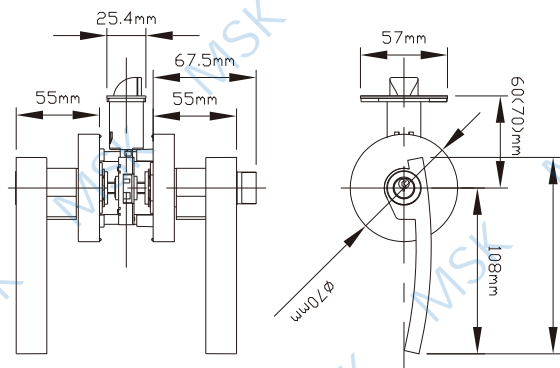
Function: Entrance / Privacy / Passage / Dummy

Finish: Satin nickel / Matte black / Oil rubbed bronze / Antique brass / Antique copper / Satin chrome / Chrome plated / Antique nickel / Polished brass

Standard door thickness: 35-50mm



B8818



Heavy-duty lever lock series

Material: Zinc alloy

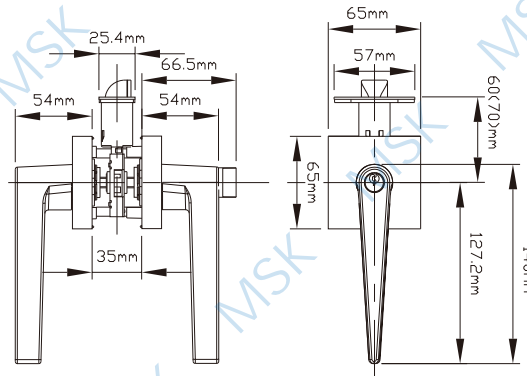
Function: Entrance / Privacy / Passage / Dummy

Finish: Satin nickel / Matte black / Oil rubbed bronze / Antique brass / Antique copper / Satin chrome / Chrome plated / Antique nickel / Polished brass

Standard door thickness: 35-50mm



A8819



Heavy-duty lever lock series

Material: Zinc alloy

Function: Entrance / Privacy / Passage / Dummy

Finish: Satin nickel / Matte black / Oil rubbed bronze / Antique brass / Antique copper / Satin chrome / Chrome plated / Antique nickel / Polished brass

Standard door thickness: 35-50mm

Heavy-duty lever lock series

Material: Zinc alloy

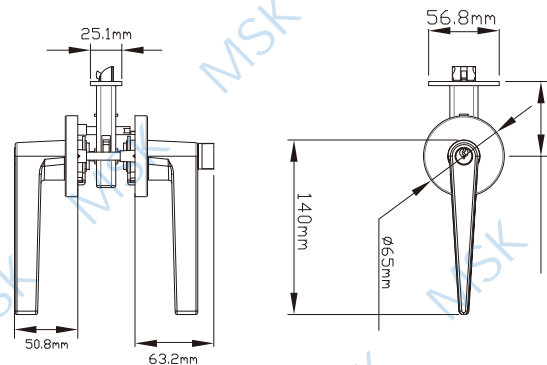
Function: Entrance / Privacy / Passage / Dummy

Finish: Satin nickel / Matte black / Oil rubbed bronze / Antique brass / Antique copper / Satin chrome / Chrome plated / Antique nickel / Polished brass

Standard door thickness: 35-50mm

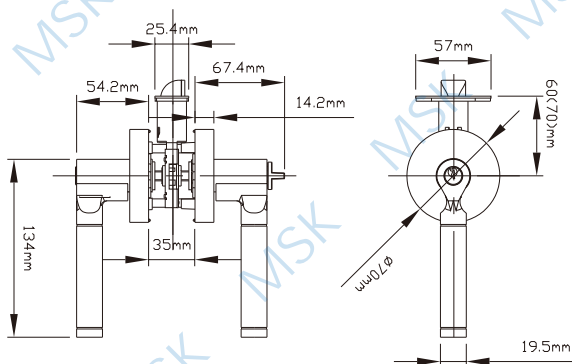


HB8819





B8820



Heavy-duty lever lock series

Material: Zinc alloy

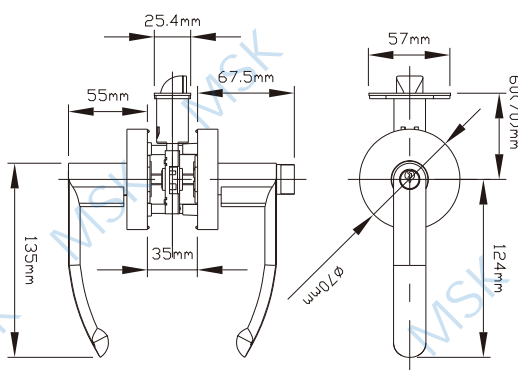
Function: Entrance / Privacy / Passage / Dummy

Finish: Satin nickel / Matte black / Oil rubbed bronze / Antique brass / Antique copper / Satin chrome / Chrome plated / Antique nickel / Polished brass

Standard door thickness: 35-50mm



B8822



Heavy-duty lever lock series

Material: Zinc alloy

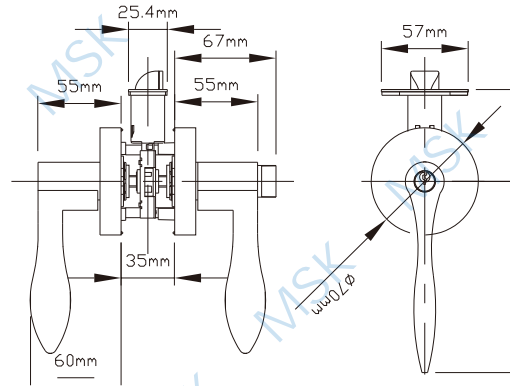
Function: Entrance / Privacy / Passage / Dummy

Finish: Satin nickel / Matte black / Oil rubbed bronze / Antique brass / Antique copper / Satin chrome / Chrome plated / Antique nickel / Polished brass

Standard thickness: 35-50mm



B8823



Heavy-duty lever lock series

Material: Zinc alloy

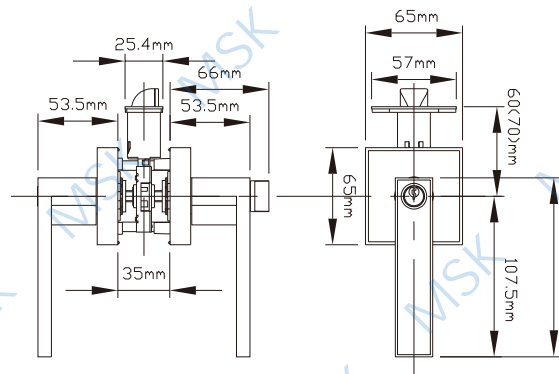
Function: Entrance / Privacy / Passage / Dummy

Finish: Satin nickel / Matte black / Oil rubbed bronze / Antique brass / Antique copper / Satin chrome / Chrome plated / Antique nickel / Polished brass

Standard door thickness: 35-50mm



A8827



Heavy-duty lever lock series

Material: Zinc alloy

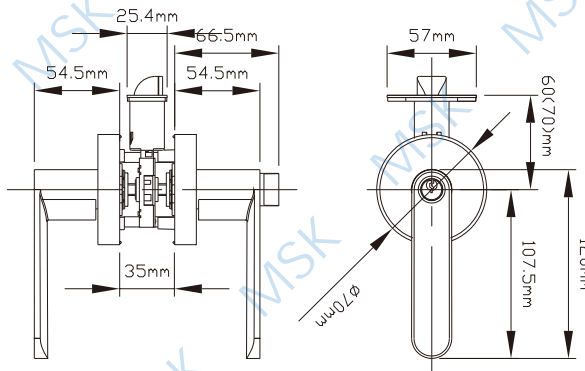
Function: Entrance / Privacy / Passage / Dummy

Finish: Satin nickel / Matte black / Oil rubbed bronze / Antique brass / Antique copper / Satin chrome / Chrome plated / Antique nickel / Polished brass

Standard door thickness: 35-50mm



B8828



Heavy-duty lever lock series

Material: Zinc alloy

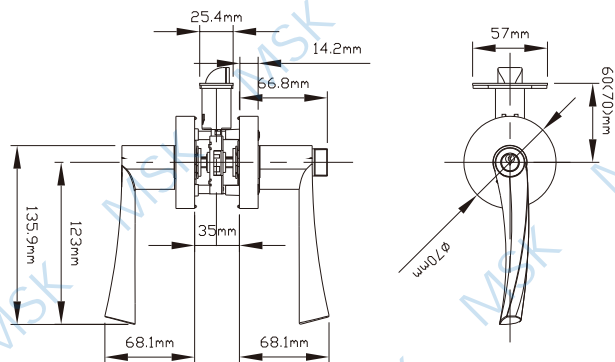
Function: Entrance / Privacy / Passage / Dummy

Finish: Satin nickel / Matte black / Oil rubbed bronze / Antique brass / Antique copper / Satin chrome / Chrome plated / Antique nickel / Polished brass

Standard door thickness: 35-50mm



B8829



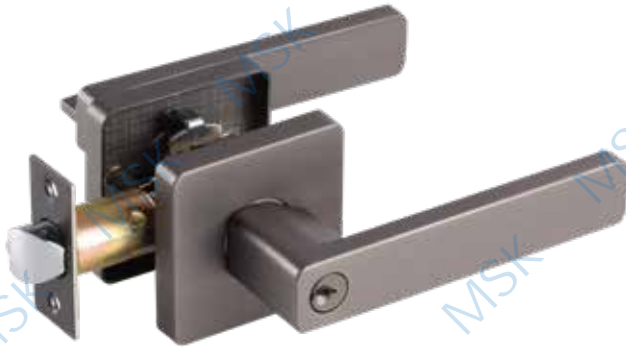
Heavy-duty lever lock series

Material: Zinc alloy

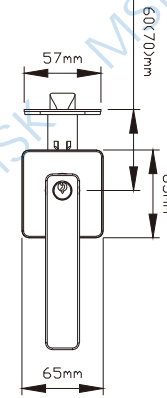
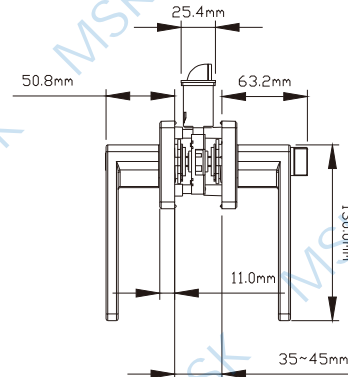
Function: Entrance / Privacy / Passage / Dummy

Finish: Satin nickel / Matte black / Oil rubbed bronze / Antique brass / Antique copper / Satin chrome / Chrome plated / Antique nickel / Polished brass

Standard door thickness: 35-50mm



E8832



Heavy-duty lever lock series

Material: Zinc alloy

Function: Entrance / Privacy / Passage / Dummy

Finish: Satin nickel / Matte black / Oil rubbed bronze / Antique brass / Antique copper / Satin chrome / Chrome plated / Antique nickel / Polished brass

Standard door thickness: 35-50mm

Heavy-duty lever lock series

Material: Zinc alloy

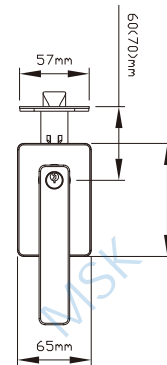
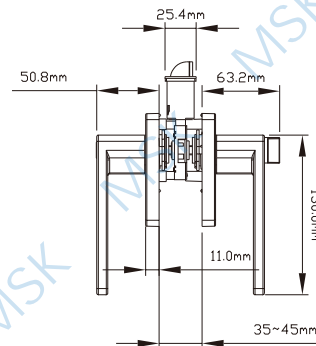
Function: Entrance / Privacy / Passage / Dummy

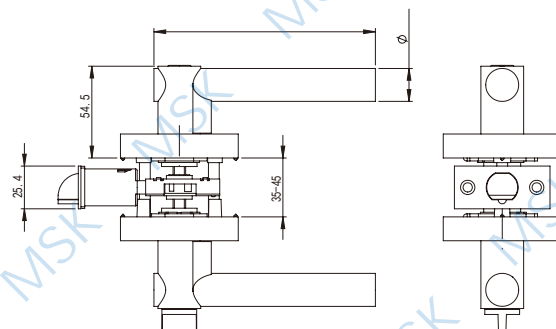
Finish: Satin nickel / Matte black / Oil rubbed bronze / Antique brass / Antique copper / Satin chrome / Chrome plated / Antique nickel / Polished brass

Standard door thickness: 35-50mm



F8832





Heavy-duty lever lock series

Material: Zinc alloy

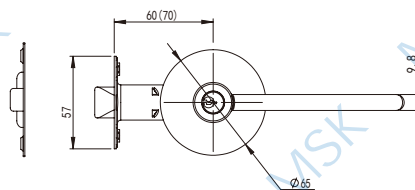
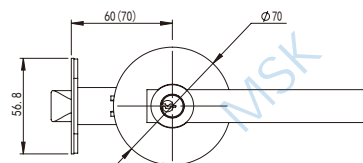
Function: Entrance / Privacy / Passage / Dummy

Finish: Satin nickel / Matte black / Oil rubbed bronze / Antique brass / Antique copper / Satin chrome / Chrome plated / Antique nickel / Polished brass

Standard door thickness: 35-50mm



B8833



Heavy-duty lever lock series

Material: Zinc alloy

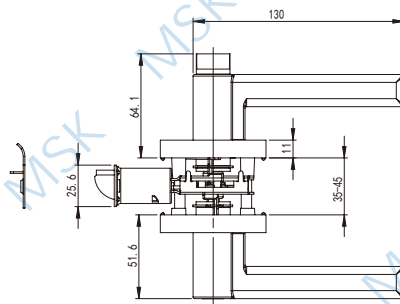
Function: Entrance / Privacy / Passage / Dummy

Finish: Satin nickel / Matte black / Oil rubbed bronze / Antique brass / Antique copper / Satin chrome / Chrome plated / Antique nickel / Polished brass

Standard door thickness: 35-50mm

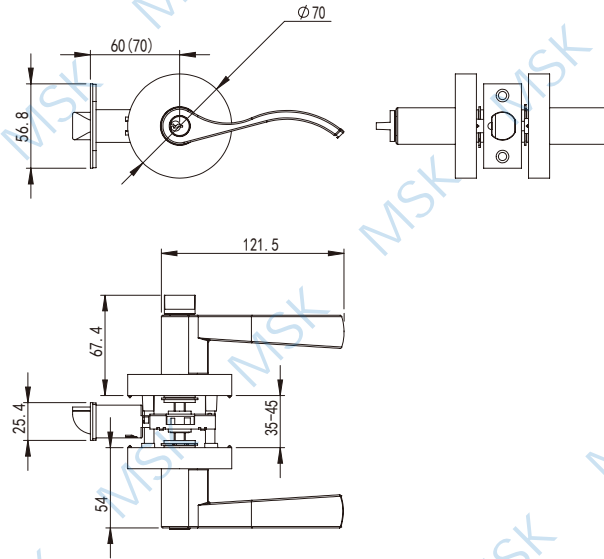


B8835





B8836



Heavy-duty lever lock series

Material: Zinc alloy

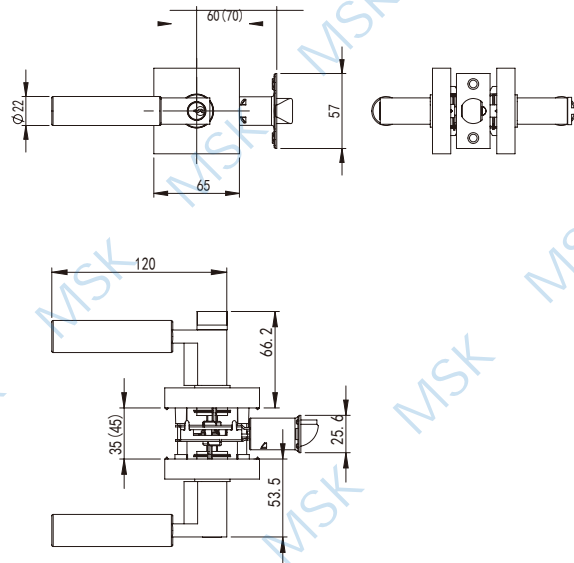
Function: Entrance / Privacy / Passage / Dummy

Finish: Satin nickel / Matte black / Oil rubbed bronze / Antique brass / Antique copper / Satin chrome / Chrome plated / Antique nickel / Polished brass

Standard door thickness: 35-50mm



A8837



Heavy-duty lever lock series

Material: Zinc alloy

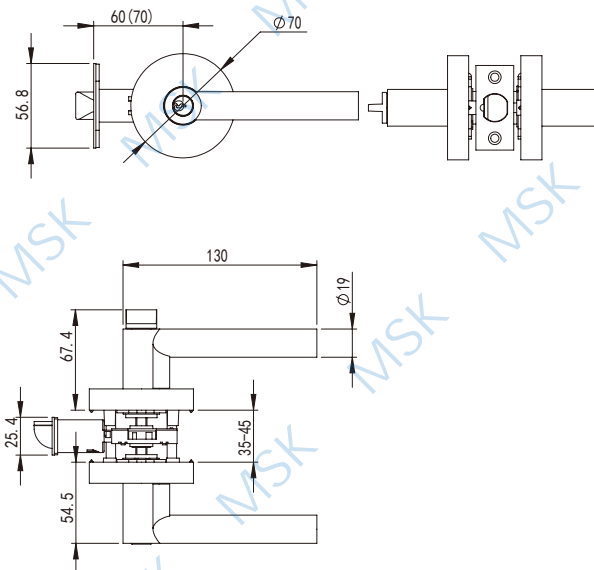
Function: Entrance / Privacy / Passage / Dummy

Finish: Satin nickel / Matte black / Oil rubbed bronze / Antique brass / Antique copper / Satin chrome / Chrome plated / Antique nickel / Polished brass

Standard door thickness: 35-50mm



B8839



Heavy-duty lever lock series

Material: Zinc alloy

Function: Entrance / Privacy / Passage / Dummy

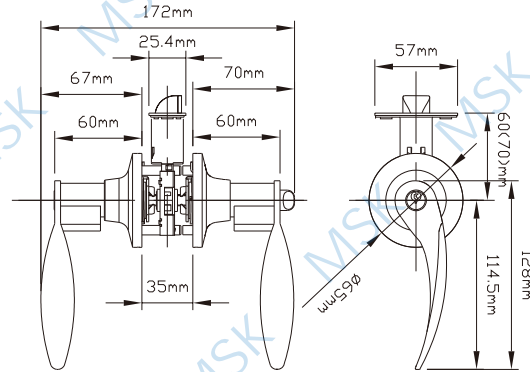
Finish: Satin nickel / Matte black / Oil rubbed bronze / Antique brass / Antique copper / Satin chrome / Chrome plated / Antique nickel / Polished brass

Standard door thickness: 35-50mm





6603



Lever lock series

Material: Zinc alloy / Aluminum / Steel

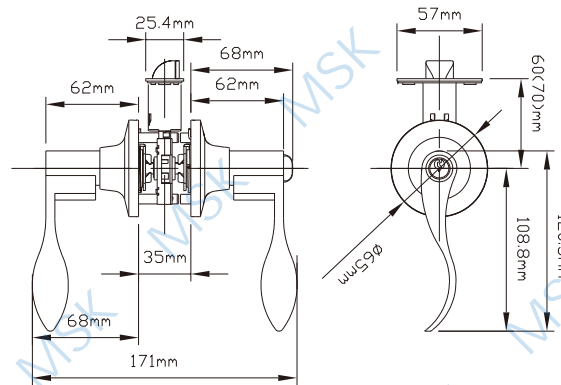
Function: Entrance / Privacy / Passage / Dummy

Finish: Satin nickel / Matte black / Oil rubbed bronze / Antique brass / Antique copper / Satin chrome / Chrome plated / Antique nickel / Polished brass

Standard door thickness: 35-50mm



6605



Lever lock series

Material: Zinc alloy / Aluminum / Steel

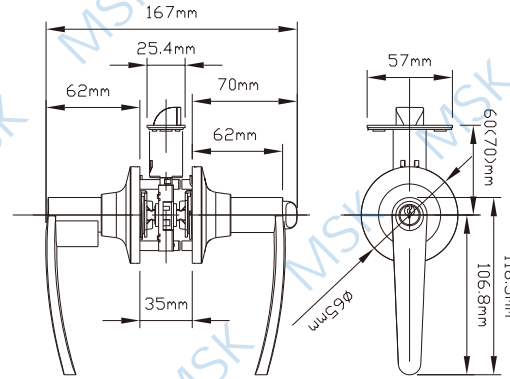
Function: Entrance / Privacy / Passage / Dummy

Finish: Satin nickel / Matte black / Oil rubbed bronze / Antique brass / Antique copper / Satin chrome / Chrome plated / Antique nickel / Polished brass

Standard door thickness: 35-50mm



6607



Lever lock series

Material: Zinc alloy / Aluminum / Steel

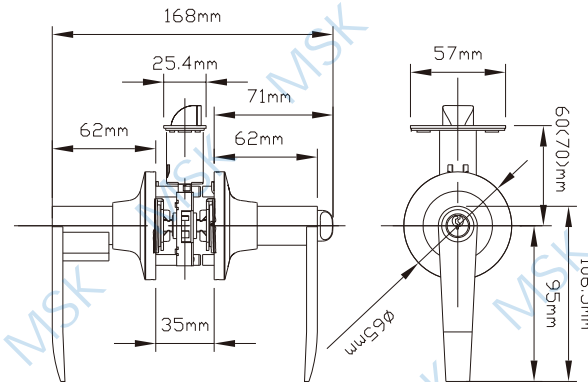
Function: Entrance / Privacy / Passage / Dummy

Finish: Satin nickel / Matte black / Oil rubbed bronze / Antique brass / Antique copper / Satin chrome / Chrome plated / Antique nickel / Polished brass

Standard door thickness: 35-50mm



6608



Lever lock series

Material: Zinc alloy / Aluminum / Steel

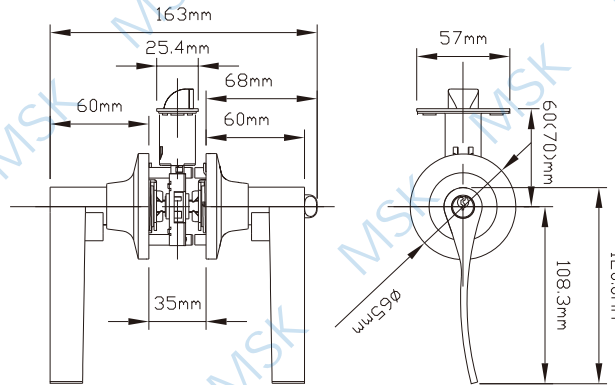
Function: Entrance / Privacy / Passage / Dummy

Finish: Satin nickel / Matte black / Oil rubbed bronze / Antique brass / Antique copper / Satin chrome / Chrome plated / Antique nickel / Polished brass

Standard door thickness: 35-50mm



6610



Lever lock series

Material: Zinc alloy / Aluminum / Steel

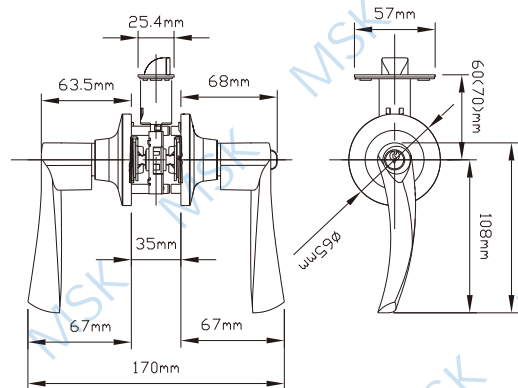
Function: Entrance / Privacy / Passage / Dummy

Finish: Satin nickel / Matte black / Oil rubbed bronze / Antique brass / Antique copper / Satin chrome / Chrome plated / Antique nickel / Polished brass

Standard door thickness: 35-50mm



6611



Lever lock series

Material: Zinc alloy / Aluminum / Steel

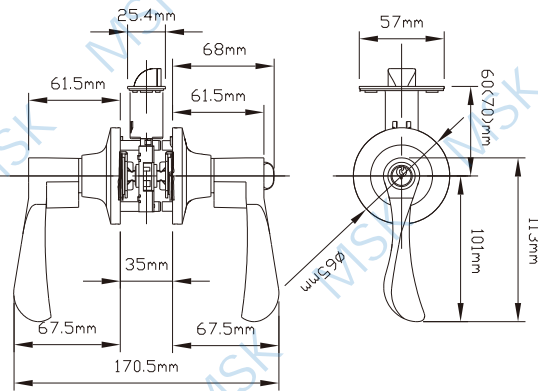
Function: Entrance / Privacy / Passage / Dummy

Finish: Satin nickel / Matte black / Oil rubbed bronze / Antique brass / Antique copper / Satin chrome / Chrome plated / Antique nickel / Polished brass

Standard door thickness: 35-50mm



6613



Lever lock series

Material: Zinc alloy / Aluminum / Steel

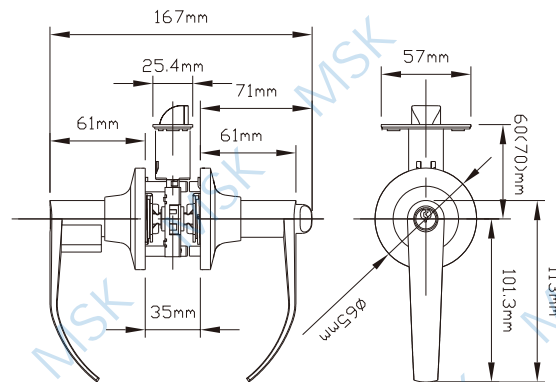
Function: Entrance / Privacy / Passage / Dummy

Finish: Satin nickel / Matte black / Oil rubbed bronze / Antique brass / Antique copper / Satin chrome / Chrome plated / Antique nickel / Polished brass

Standard door thickness: 35-50mm



6615



Lever lock series

Material: Zinc alloy / Aluminum / Steel

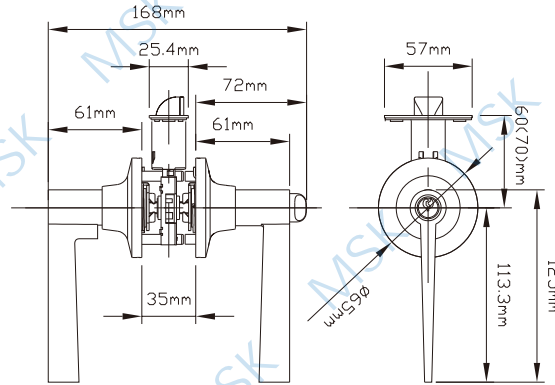
Function: Entrance / Privacy / Passage / Dummy

Finish: Satin nickel / Matte black / Oil rubbed bronze / Antique brass / Antique copper / Satin chrome / Chrome plated / Antique nickel / Polished brass

Standard door thickness: 35-50mm



6616



Lever lock series

Material: Zinc alloy / Aluminum / Steel

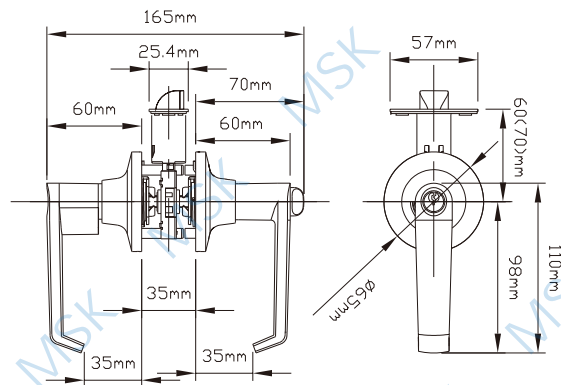
Function: Entrance / Privacy / Passage / Dummy

Finish: Satin nickel / Matte black / Oil rubbed bronze / Antique brass / Antique copper / Satin chrome / Chrome plated / Antique nickel / Polished brass

Standard door thickness: 35-50mm



6617



Lever lock series

Material: Zinc alloy / Aluminum / Steel

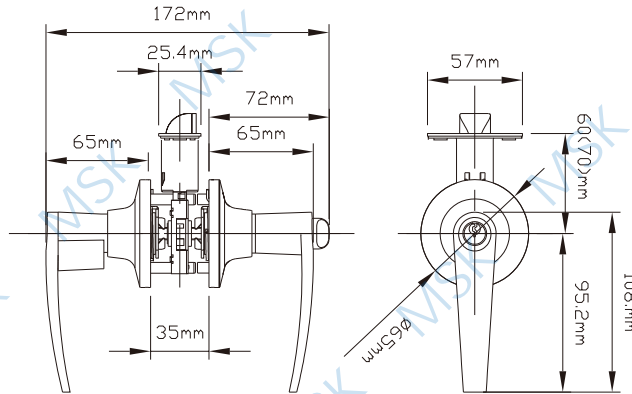
Function: Entrance / Privacy / Passage / Dummy

Finish: Satin nickel / Matte black / Oil rubbed bronze / Antique brass / Antique copper / Satin chrome / Chrome plated / Antique nickel / Polished brass

Standard door thickness: 35-50mm



6618



Lever lock series

Material: Zinc alloy / Aluminum / Steel

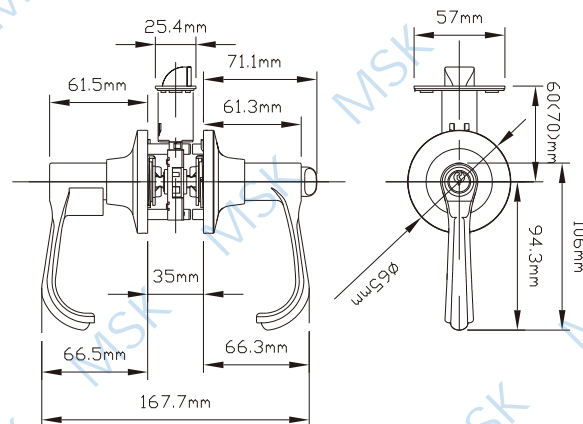
Function: Entrance / Privacy / Passage / Dummy

Finish: Satin nickel / Matte black / Oil rubbed bronze / Antique brass / Antique copper / Satin chrome / Chrome plated / Antique nickel / Polished brass

Standard door thickness: 35-50mm



6619



Lever lock series

Material: Zinc alloy / Aluminum / Steel

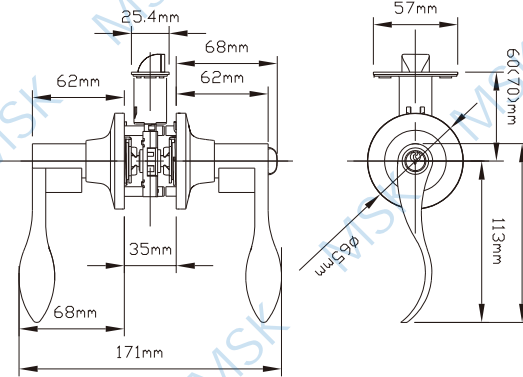
Function: Entrance / Privacy / Passage / Dummy

Finish: Satin nickel / Matte black / Oil rubbed bronze / Antique brass / Antique copper / Satin chrome / Chrome plated / Antique nickel / Polished brass

Standard door thickness: 35-50mm



6620



Lever lock series

Material: Zinc alloy / Aluminum / Steel

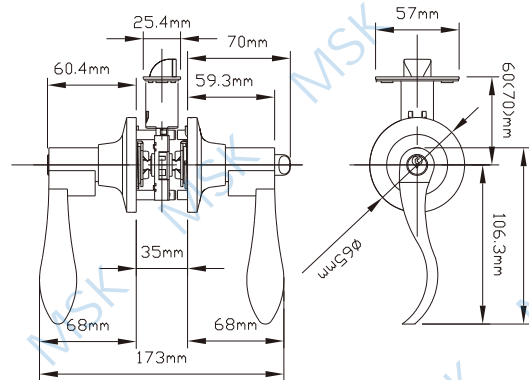
Function: Entrance / Privacy / Passage / Dummy

Finish: Satin nickel / Matte black / Oil rubbed bronze / Antique brass / Antique copper / Satin chrome / Chrome plated / Antique nickel / Polished brass

Standard door thickness: 35-50mm



6621



Lever lock series

Material: Zinc alloy / Aluminum / Steel

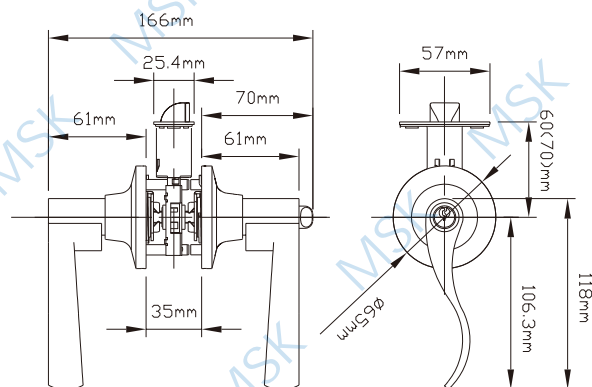
Function: Entrance / Privacy / Passage / Dummy

Finish: Satin nickel / Matte black / Oil rubbed bronze / Antique brass / Antique copper / Satin chrome / Chrome plated / Antique nickel / Polished brass

Standard door thickness: 35-50mm



6622



Lever lock series

Material: Zinc alloy / Aluminum / Steel

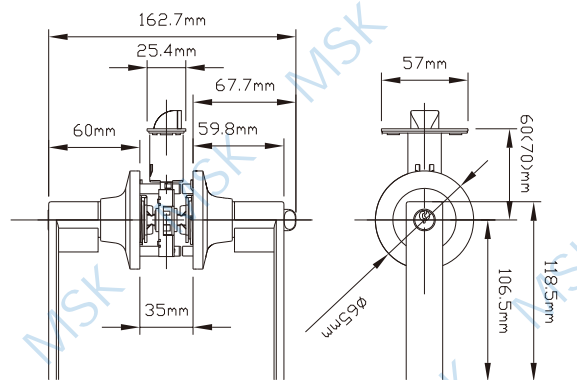
Function: Entrance / Privacy / Passage / Dummy

Finish: Satin nickel / Matte black / Oil rubbed bronze / Antique brass / Antique copper / Satin chrome / Chrome plated / Antique nickel / Polished brass

Standard door thickness: 35-50mm



6623



Lever lock series

Material: Zinc alloy / Aluminum / Steel

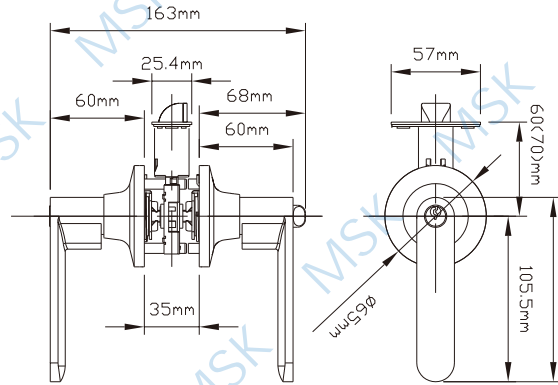
Function: Entrance / Privacy / Passage / Dummy

Finish: Satin nickel / Matte black / Oil rubbed bronze / Antique brass / Antique copper / Satin chrome / Chrome plated / Antique nickel / Polished brass

Standard door thickness: 35-50mm



6625



Lever lock series

Material: Zinc alloy / Aluminum / Steel

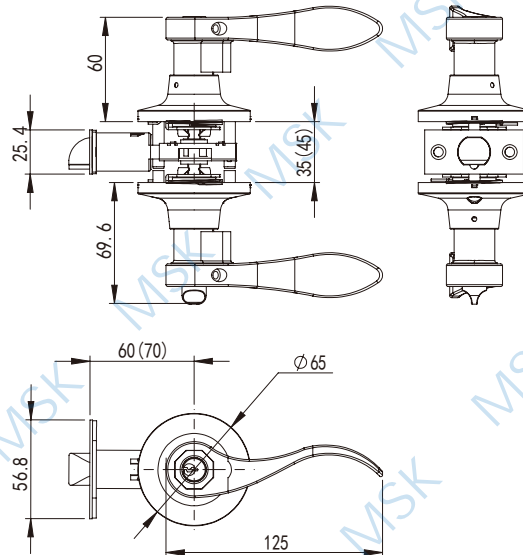
Function: Entrance / Privacy / Passage / Dummy

Finish: Satin nickel / Matte black / Oil rubbed bronze / Antique brass / Antique copper / Satin chrome / Chrome plated / Antique nickel / Polished brass

Standard door thickness: 35-50mm



6626



Lever lock series

Material: Zinc alloy / Aluminum / Steel

Function: Entrance / Privacy / Passage / Dummy

Finish: Satin nickel / Matte black / Oil rubbed bronze / Antique brass / Antique copper / Satin chrome / Chrome plated / Antique nickel / Polished brass

Standard door thickness: 35-50mm

Lever lock series

Material: Zinc alloy / Aluminum / Steel

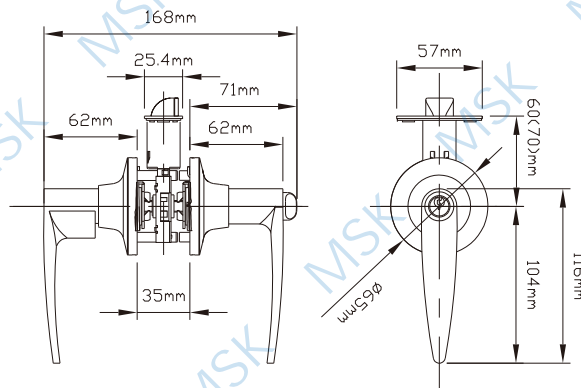
Function: Entrance / Privacy / Passage / Dummy

Finish: Satin nickel / Matte black / Oil rubbed bronze / Antique brass / Antique copper / Satin chrome / Chrome plated / Antique nickel / Polished brass

Standard door thickness: 35-50mm

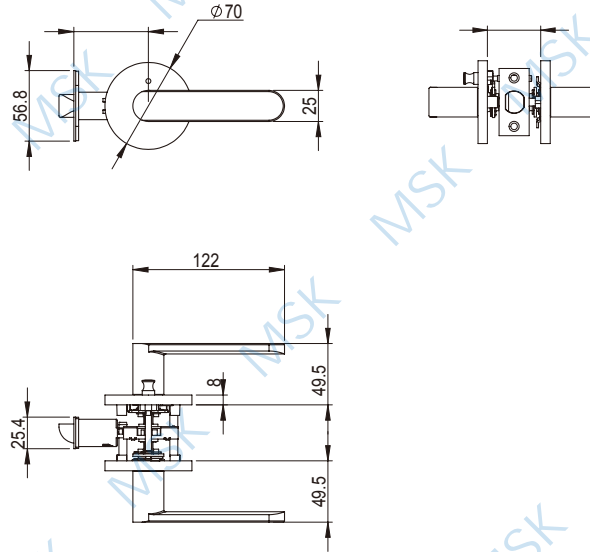


6631





D9102



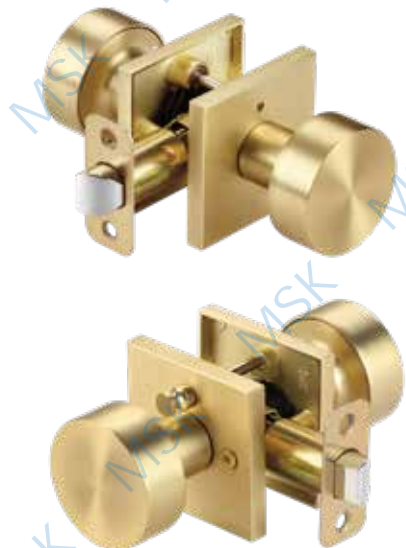
Interior lever lock series

Material: Zinc alloy

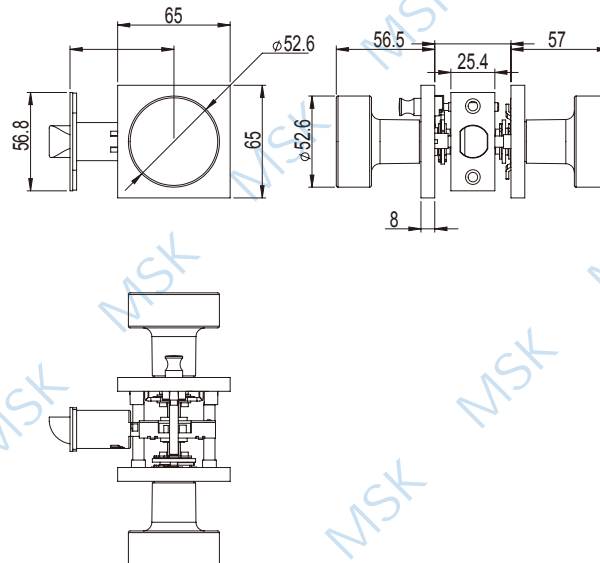
Function: Privacy / Passage / Dummy

Finish: Satin nickel / Matte black / Oil rubbed bronze / Antique brass / Antique copper / Satin chrome / Chrome plated / Antique nickel / Polished brass

Standard door thickness: 35-50mm



C9103



Interior lever lock series

Material: Zinc alloy

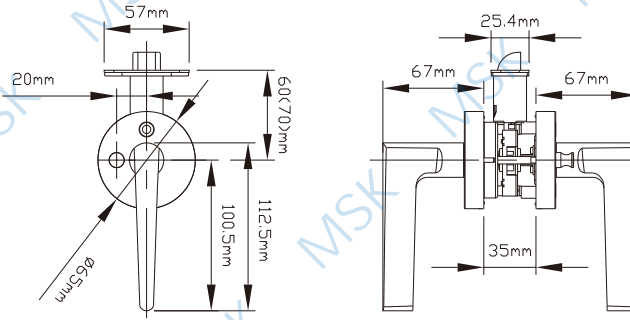
Function: Privacy / Passage / Dummy

Finish: Satin nickel / Matte black / Oil rubbed bronze / Antique brass / Antique copper / Satin chrome / Chrome plated / Antique nickel / Polished brass

Standard door thickness: 35-50mm



B9161



Interior lever lock series

Material: Zinc alloy

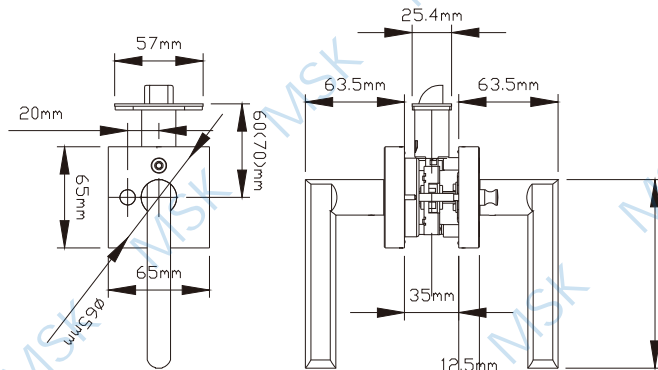
Function: Privacy / Passage / Dummy

Finish: Satin nickel / Matte black / Oil rubbed bronze / Antique brass / Antique copper / Satin chrome / Chrome plated / Antique nickel / Polished brass

Standard door thickness: 35-50mm



A9165



Interior lever lock series

Material: Zinc alloy

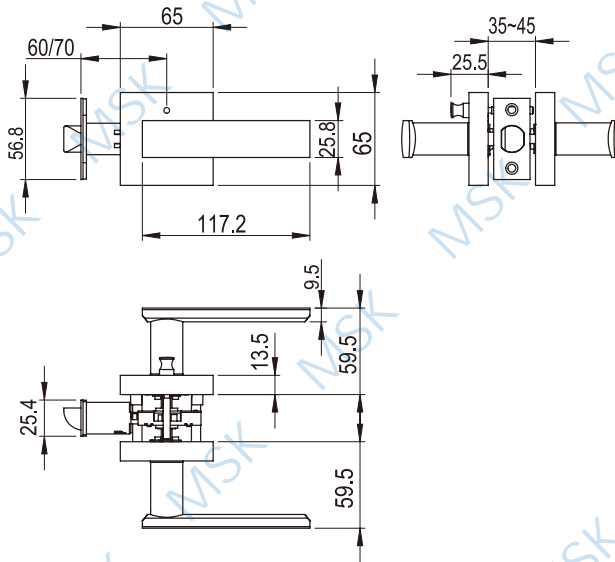
Function: Privacy / Passage / Dummy

Finish: Satin nickel / Matte black / Oil rubbed bronze / Antique brass / Antique copper / Satin chrome / Chrome plated / Antique nickel / Polished brass

Standard door thickness: 35-50mm



A9166



Interior lever lock series

Material: Zinc alloy

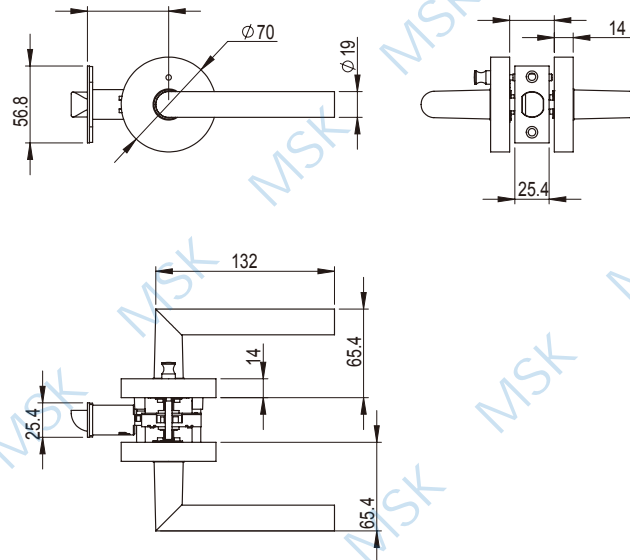
Function: Privacy / Passage / Dummy

Finish: Satin nickel / Matte black / Oil rubbed bronze / Antique brass / Antique copper / Satin chrome / Chrome plated / Antique nickel / Polished brass

Standard door thickness: 35-50mm



B9171



Interior lever lock series

Material: Zinc alloy

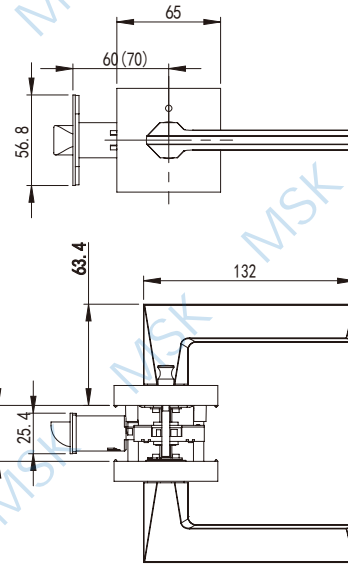
Function: Privacy / Passage / Dummy

Finish: Satin nickel / Matte black / Oil rubbed bronze / Antique brass / Antique copper / Satin chrome / Chrome plated / Antique nickel / Polished brass

Standard door thickness: 35-50mm



A9169



Interior lever lock series

Material: Zinc alloy

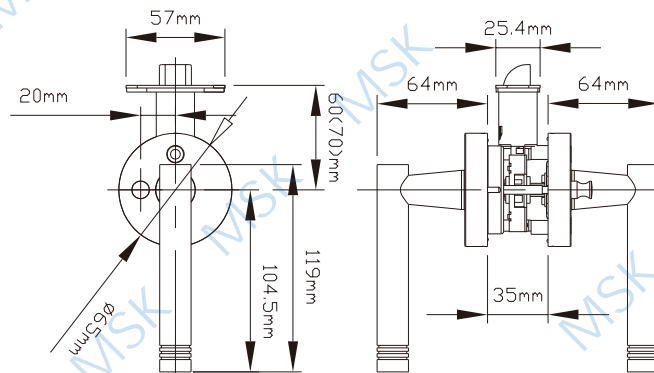
Function: Privacy / Passage / Dummy

Finish: Satin nickel / Matte black / Oil rubbed bronze / Antique brass / Antique copper / Satin chrome / Chrome plated / Antique nickel / Polished brass

Standard door thickness: 35-50mm



B9163



Interior lever lock series

Material: Zinc alloy

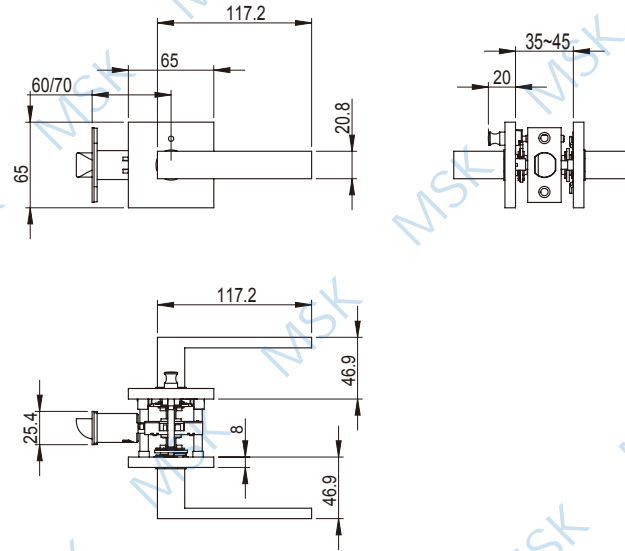
Function: Privacy / Passage / Dummy

Finish: Satin nickel / Matte black / Oil rubbed bronze / Antique brass / Antique copper / Satin chrome / Chrome plated / Antique nickel / Polished brass

Standard door thickness: 35-50mm



C9101



Interior lever lock series

Material: Zinc alloy

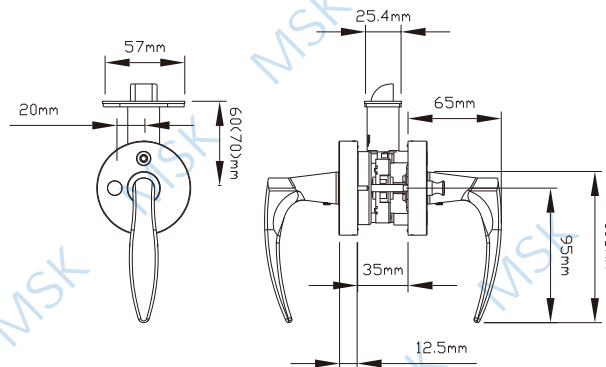
Function: Privacy / Passage / Dummy

Finish: Satin nickel / Matte black / Oil rubbed bronze / Antique brass / Antique copper / Satin chrome / Chrome plated / Antique nickel / Polished brass

Standard door thickness: 35-50mm



B9162



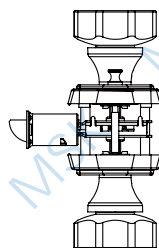
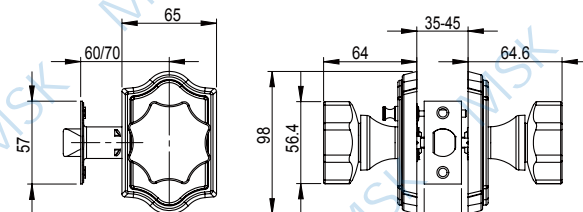
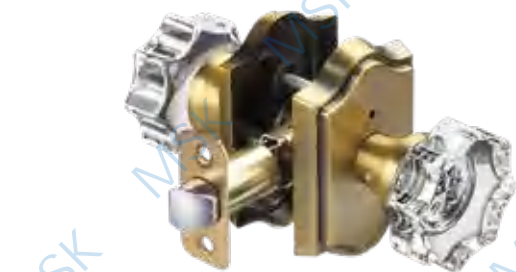
Interior lever lock series

Material: Zinc alloy

Function: Privacy / Passage / Dummy

Finish: Satin nickel / Matte black / Oil rubbed bronze / Antique brass / Antique copper / Satin chrome / Chrome plated / Antique nickel / Polished brass

Standard door thickness: 35-50mm



F9113BK
(八角球)

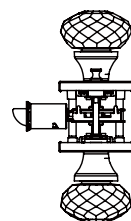
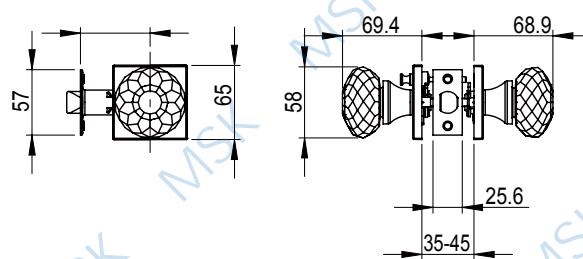
Interior lever lock series

Material: Zinc alloy

Function: Privacy / Passage / Dummy

Finish: Satin nickel / Matte black / Oil rubbed bronze / Antique brass / Antique copper / Satin chrome / Chrome plated / Antique nickel / Polished brass

Standard door thickness: 35-50mm



C9115BK
(菱形球)

Interior lever lock series

Material: Zinc alloy

Function: Privacy / Passage / Dummy

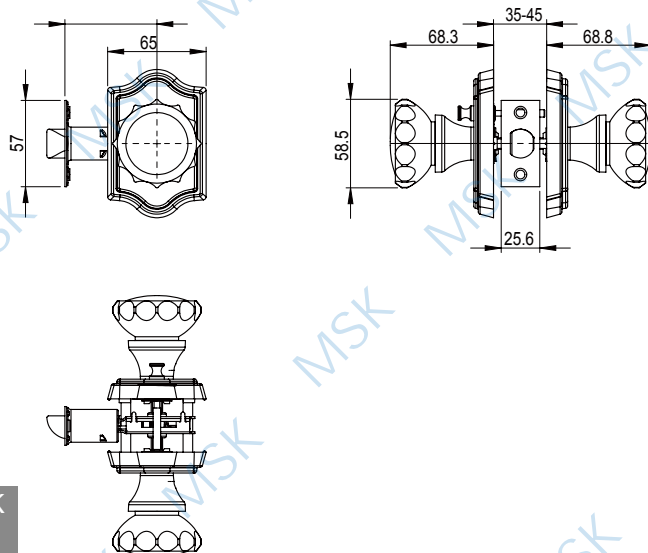
Finish: Satin nickel / Matte black / Oil rubbed bronze / Antique brass / Antique copper / Satin chrome / Chrome plated / Antique nickel / Polished brass

Standard door thickness: 35-50mm

T



F9105BK
(昙花球)



Interior lever lock series

Material: Zinc alloy

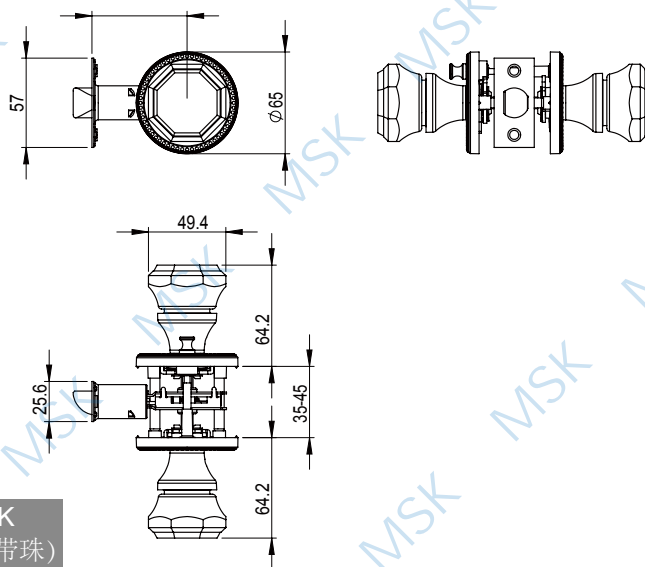
Function: Privacy / Passage / Dummy

Finish: Satin nickel / Matte black / Oil rubbed bronze / Antique brass / Antique copper / Satin chrome / Chrome plated / Antique nickel / Polished brass

Standard door thickness: 35-50mm



D9106BK
(八角球带珠)



Interior lever lock series

Material: Zinc alloy

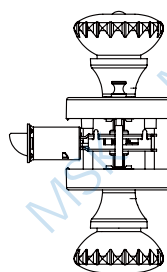
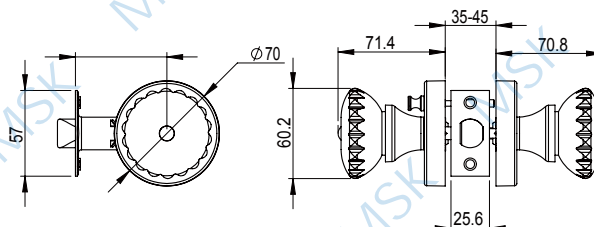
Function: Privacy / Passage / Dummy

Finish: Satin nickel / Matte black / Oil rubbed bronze / Antique brass / Antique copper / Satin chrome / Chrome plated / Antique nickel / Polished brass

Standard door thickness: 35-50mm



B9107BK
(梅花球)



Interior lever lock series

Material: Zinc alloy

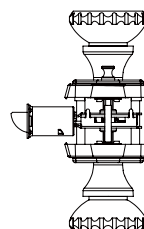
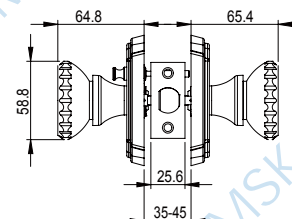
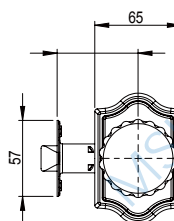
Function: Privacy / Passage / Dummy

Finish: Satin nickel / Matte black / Oil rubbed bronze / Antique brass / Antique copper / Satin chrome / Chrome plated / Antique nickel / Polished brass

Standard door thickness: 35-50mm



F9108BK
(平顶梅花球)



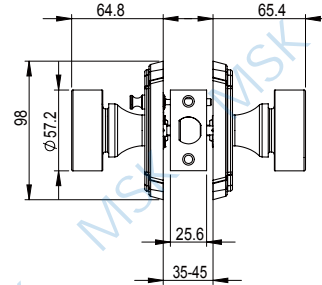
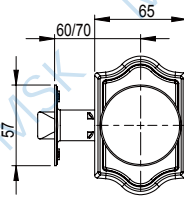
Interior lever lock series

Material: Zinc alloy

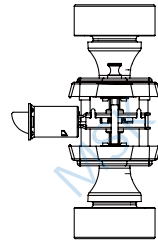
Function: Privacy / Passage / Dummy

Finish: Satin nickel / Matte black / Oil rubbed bronze / Antique brass / Antique copper / Satin chrome / Chrome plated / Antique nickel / Polished brass

Standard door thickness: 35-50mm



F9109BK
(圆形球)



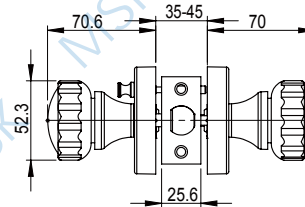
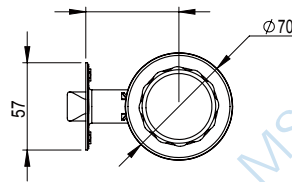
Interior lever lock series

Material: Zinc alloy

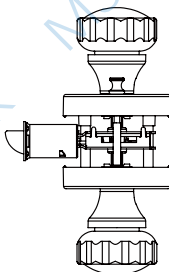
Function: Privacy / Passage / Dummy

Finish: Satin nickel / Matte black / Oil rubbed bronze / Antique brass / Antique copper / Satin chrome / Chrome plated / Antique nickel / Polished brass

Standard door thickness: 35-50mm



B9110BK
(南瓜球)



Interior lever lock series

Material: Zinc alloy

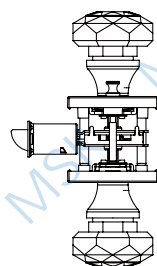
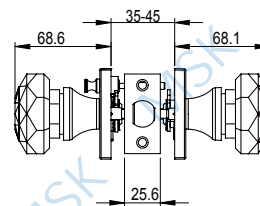
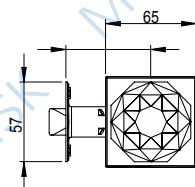
Function: Privacy / Passage / Dummy

Finish: Satin nickel / Matte black / Oil rubbed bronze / Antique brass / Antique copper / Satin chrome / Chrome plated / Antique nickel / Polished brass

Standard door thickness: 35-50mm



C9111BK
(蘑菇球)



Interior lever lock series

Material: Zinc alloy

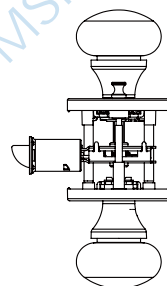
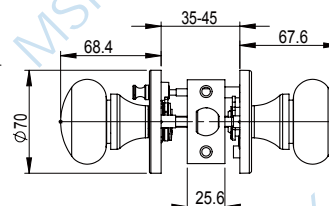
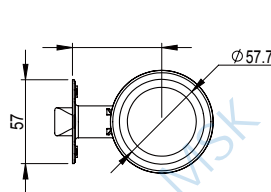
Function: Privacy / Passage / Dummy

Finish: Satin nickel / Matte black / Oil rubbed bronze / Antique brass / Antique copper / Satin chrome / Chrome plated / Antique nickel / Polished brass

Standard door thickness: 35-50mm



D9112BK
(圓餅球)



Interior lever lock series

Material: Zinc alloy

Function: Privacy / Passage / Dummy

Finish: Satin nickel / Matte black / Oil rubbed bronze / Antique brass / Antique copper / Satin chrome / Chrome plated / Antique nickel / Polished brass

Standard door thickness: 35-50mm

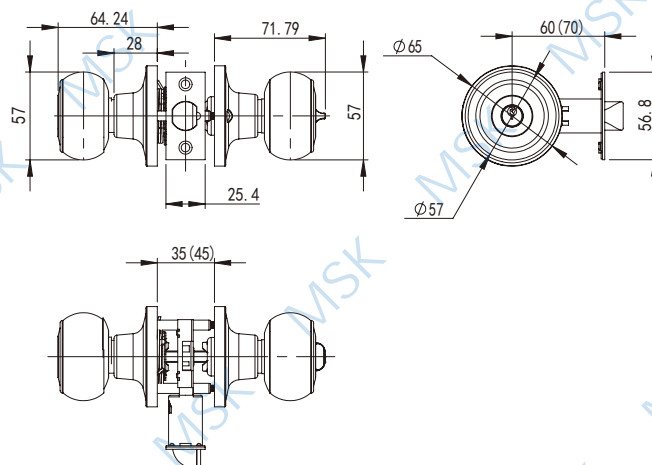


Knob Lock Series





5792



Material: 201/304 Stainless steel

Function: Entrance/ Privacy/ Passage/ Dummy

Finish: Polished brass/ Antique brass/ Antique copper/ Satin nickel/ Satin stainless steel/ Satin chrome/ Chrome Plated/ Oil rubbedbronz/ Antique nickel

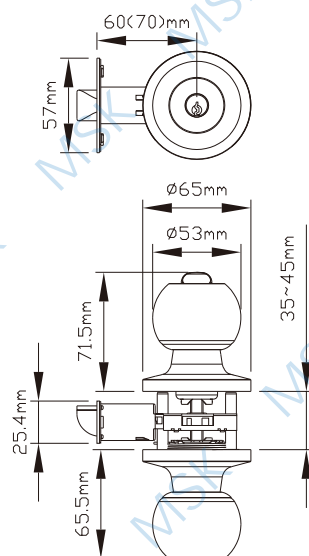
Standard door thickness: 35-45mm

Special door thickness: 45-55mm

Suitable for: Wooden door and steel door



6007



Material: 201/304 Stainless steel

Function: Entrance/ Privacy/ Passage/ Dummy

Finish: Polished brass/ Antique brass/ Antique copper/ Satin nickel/ Satin stainless steel/ Satin chrome/ Chrome Plated/ Oil rubbedbronz/ Antique nickel

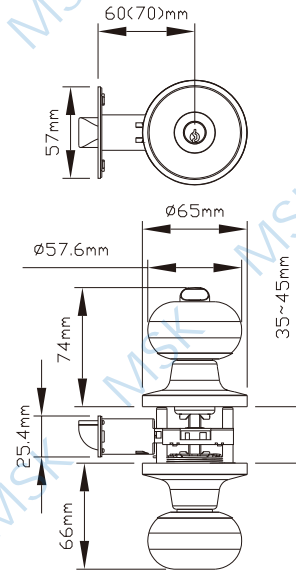
Standard door thickness: 35-45mm

Special door thickness: 45-55mm

Suitable for: Wooden door and steel door



6009



Material: 201/304 Stainless steel

Function: Entrance/ Privacy/ Passage/ Dummy

Finish: Polished brass/ Antique brass/ Antique copper/ Satin nickel/ Satin stainless steel/ Satin chrome/ Chrome Plated/ Oil rubbedbronzel/ Antique nickel

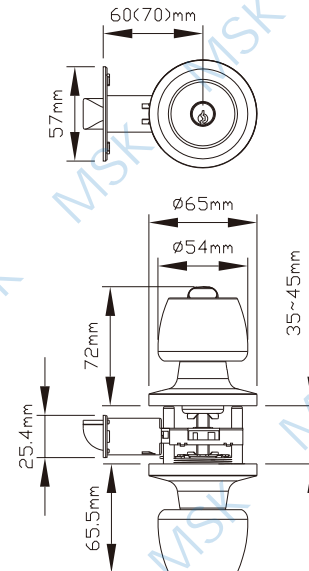
Standard door thickness: 35-45mm

Special door thickness: 45-55mm

Suitable for: Wooden door and steel door



6010



Material: 201/304 Stainless steel

Function: Entrance/ Privacy/ Passage/ Dummy

Finish: Polished brass/ Antique brass/ Antique copper/ Satin nickel/ Satin stainless steel/ Satin chrome/ Chrome Plated/ Oil rubbedbronzel/ Antique nickel

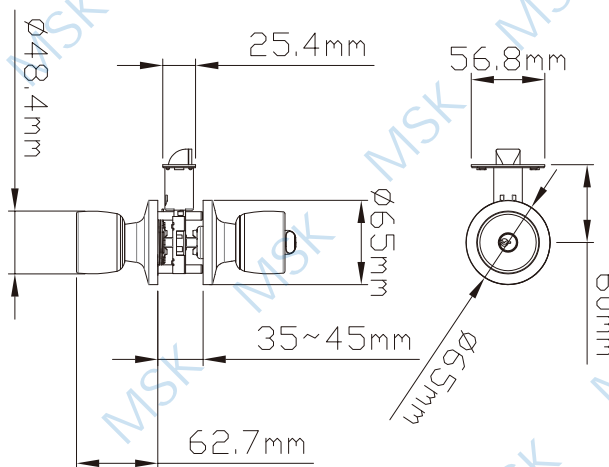
Standard door thickness: 35-45mm

Special door thickness: 45-55mm

Suitable for: Wooden door and steel door



577



Material: 201/304 Stainless steel

Function: Entrance/ Privacy/ Passage/ Dummy

Finish: Polished brass/ Antique brass/ Antique copper/ Satin nickel/ Satin stainless steel/ Satin chrome/ Chrome Plated/ Oil rubbedronze/ Antique nickel

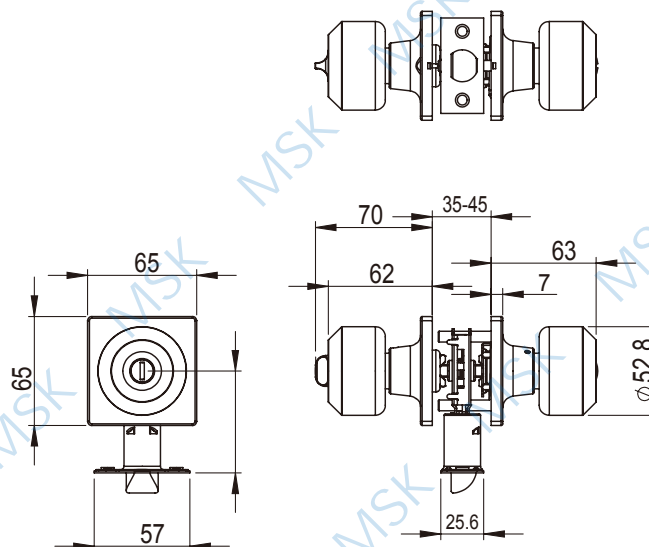
Standard door thickness: 35-45mm

Special door thickness: 45-55mm

Suitable for: Wooden door and steel door



A5793



Material: 201/304 Stainless steel

Function: Entrance/ Privacy/ Passage/ Dummy

Finish: Polished brass/ Antique brass/ Antique copper/ Satin nickel/ Satin stainless steel/ Satin chrome/ Chrome Plated/ Oil rubbedronze/ Antique nickel

Standard door thickness: 35-45mm

Special door thickness: 45-55mm

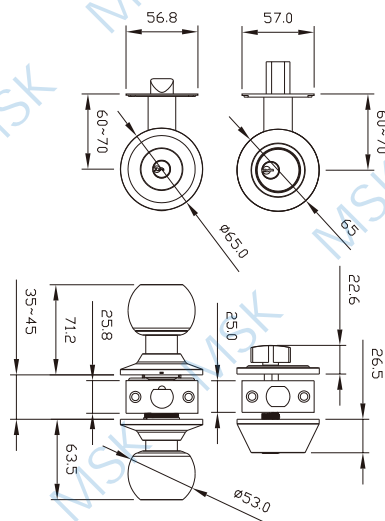
Suitable for: Wooden door and steel door



Combo Set Lock



587+D101



Combo Set Lock Series

Material: Steel

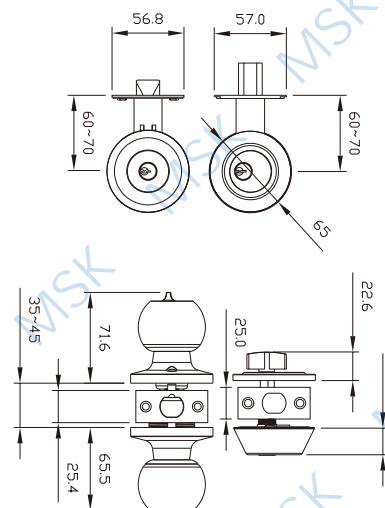
Function: Gate lock + Deadbolt lock

Finish: Satin nickel / Matte black / Oil rubbed bronze / Antique brass / Antique copper / Satin chrome / Chrome plated / Antique nickel / Polished brass

Standard door thickness: 35-45mm



6007+D101



Combo Set Lock Series

Material: Steel

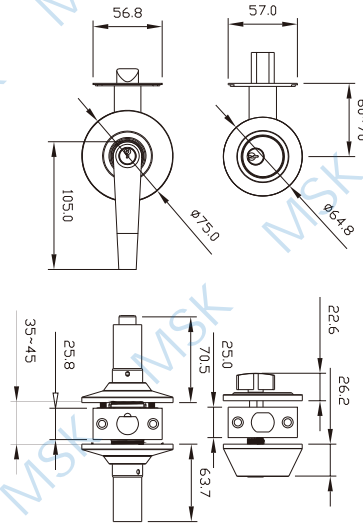
Function: Gate lock + Deadbolt lock

Finish: Satin nickel / Matte black / Oil rubbed bronze / Antique brass / Antique copper / Satin chrome / Chrome plated / Antique nickel / Polished brass

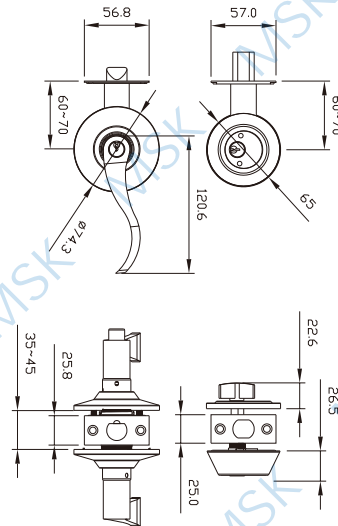
Standard door thickness: 35-45mm



6608+D101



6621+D101



Combo Set Lock Series

Material: Steel

Function: Gate lock + Deadbolt lock

Finish: Satin nickel / Matte black / Oil rubbed bronze / Antique brass / Antique copper / Satin chrome / Chrome plated / Antique nickel / Polished brass

Standard door thickness: 35-45mm

Combo Set Lock Series

Material: Steel

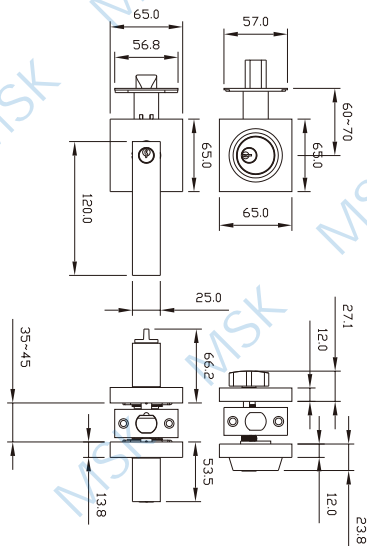
Function: Gate lock + Deadbolt lock

Finish: Satin nickel / Matte black / Oil rubbed bronze / Antique brass / Antique copper / Satin chrome / Chrome plated / Antique nickel / Polished brass

Standard door thickness: 35-45mm



8801+FD101



Combo Set Lock Series

Material: Zinc Alloy

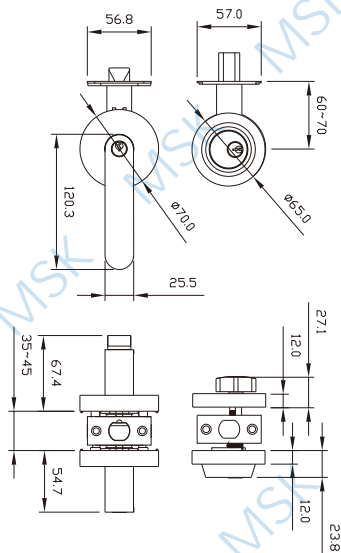
Function: Gate lock + Deadbolt lock

Finish: Satin nickel / Matte black / Oil rubbed bronze / Antique brass / Antique copper / Satin chrome / Chrome plated / Antique nickel / Polished brass

Standard door thickness: 35-45mm



8802+YD101



Combo Set Lock Series

Material: Zinc Alloy

Function: Gate lock + Deadbolt lock

Finish: Satin nickel / Matte black / Oil rubbed bronze / Antique brass / Antique copper / Satin chrome / Chrome plated / Antique nickel / Polished brass

Standard door thickness: 35-45mm

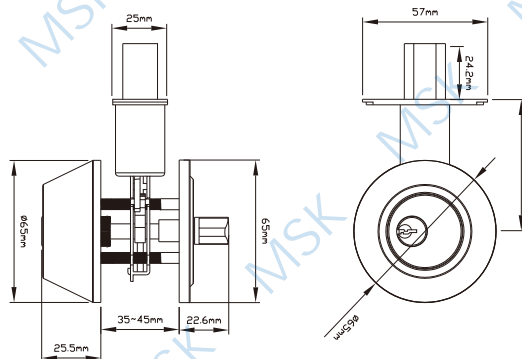


Deadbolt Lock





D101



Deadbolt lock series

Material: Steel

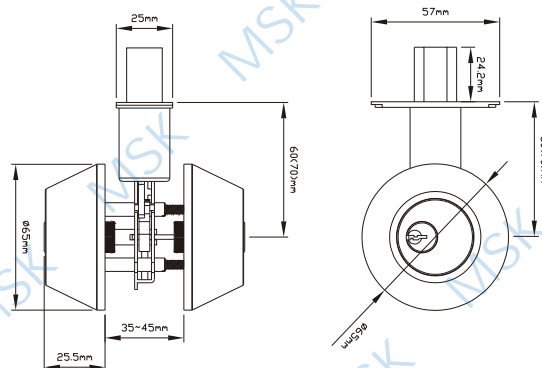
Function: Single Deadbolt

Finish: Satin nickel / Matte black / Oil rubbed bronze / Antique brass / Antique copper / Satin chrome / Chrome plated / Antique nickel / Polished brass

Standard door thickness: 35-50mm



D102



Deadbolt lock series

Material: Steel

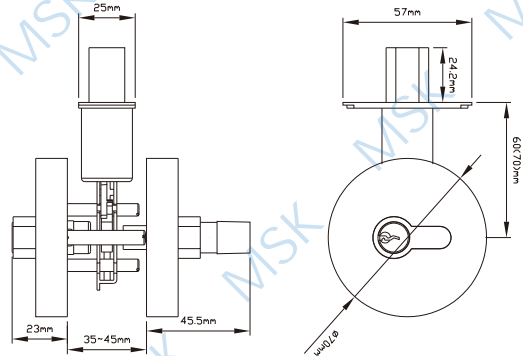
Function: Double Deadbolt

Finish: Satin nickel / Matte black / Oil rubbed bronze / Antique brass / Antique copper / Satin chrome / Chrome plated / Antique nickel / Polished brass

Standard door thickness: 35-50mm



Y1101



Deadbolt lock series

Material: Zinc alloy

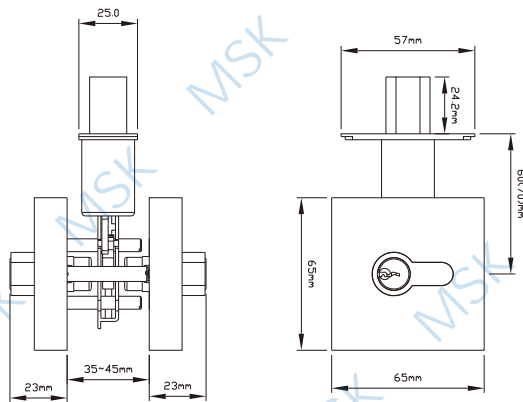
Function: Single Deadbolt

Finish: Satin nickel / Matte black / Oil rubbed bronze / Antique brass / Antique copper / Satin chrome / Chrome plated / Antique nickel / Polished brass

Standard door thickness: 35-50mm



F1102



Deadbolt lock series

Material: Zinc alloy

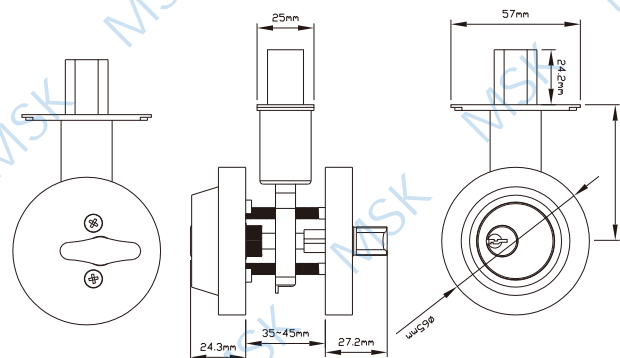
Function: Single Deadbolt

Finish: Satin nickel / Matte black / Oil rubbed bronze / Antique brass / Antique copper / Satin chrome / Chrome plated / Antique nickel / Polished brass

Standard door thickness: 35-50mm



YD101



Deadbolt lock series

Material: Zinc alloy

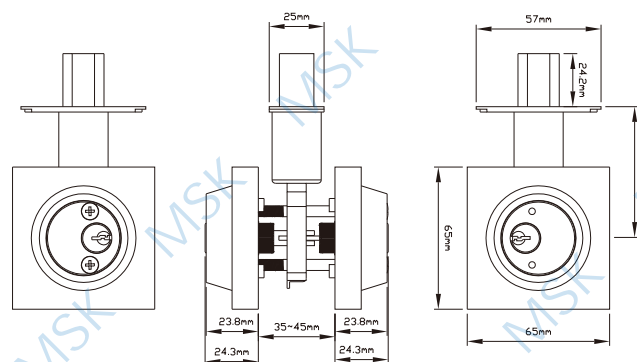
Function: Single Deadbolt

Finish: Satin nickel / Matte black / Oil rubbed bronze / Antique brass / Antique copper / Satin chrome / Chrome plated / Antique nickel / Polished brass

Standard door thickness: 35-50mm



FD102



Deadbolt lock series

Material: Zinc alloy

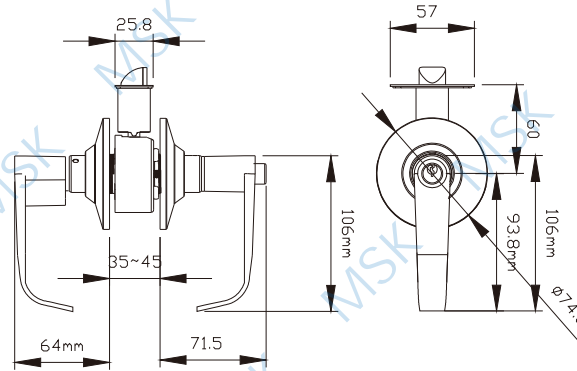
Function: Single Deadbolt

Finish: Satin nickel / Matte black / Oil rubbed bronze / Antique brass / Antique copper / Satin chrome / Chrome plated / Antique nickel / Polished brass

Standard door thickness: 35-50mm



5509



Cylindrical Lever lock series

Material: Zinc alloy / Steel

Function: Entrance / Privacy / Passage / Dummy

Finish: Satin nickel / Matte black / Oil rubbed bronze / Antique brass / Antique copper / Satin chrome / Chrome plated / Antique nickel / Polished brass

Standard door thickness: 35-50mm

Cylindrical Lever lock series

Material: Zinc alloy / Steel

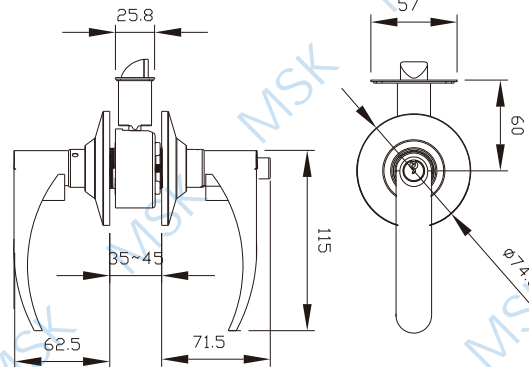
Function: Entrance / Privacy / Passage / Dummy

Finish: Satin nickel / Matte black / Oil rubbed bronze / Antique brass / Antique copper / Satin chrome / Chrome plated / Antique nickel / Polished brass

Standard door thickness: 35-50mm

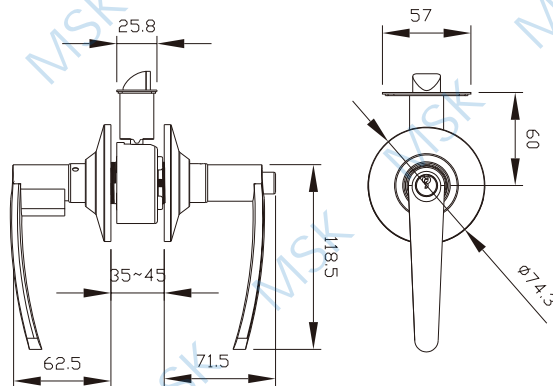


5530





5507



Cylindrical Lever lock series

Material: Zinc alloy / Steel

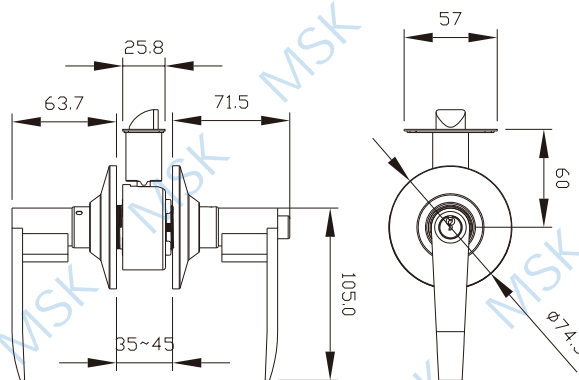
Function: Entrance / Privacy / Passage / Dummy

Finish: Satin nickel / Matte black / Oil rubbed bronze / Antique brass / Antique copper / Satin chrome / Chrome plated / Antique nickel / Polished brass

Standard door thickness: 35-50mm



5508



Cylindrical Lever lock series

Material: Zinc alloy / Steel

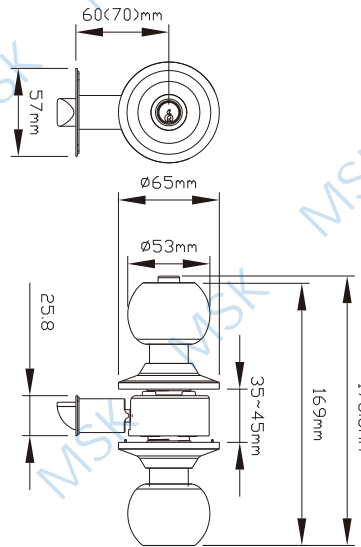
Function: Entrance / Privacy / Passage / Dummy

Finish: Satin nickel / Matte black / Oil rubbed bronze / Antique brass / Antique copper / Satin chrome / Chrome plated / Antique nickel / Polished brass

Standard door thickness: 35-50mm



587



Cylindrical Lever lock series

Material: 201 / 304 Steel

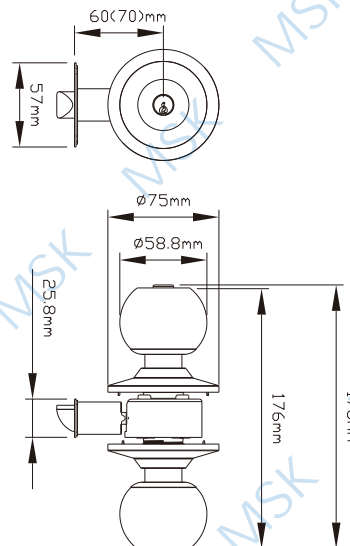
Function: Entrance / Privacy / Passage / Dummy

Finish: Satin nickel / Matte black / Oil rubbed bronze / Antique brass / Antique copper / Satin chrome / Chrome plated / Antique nickel / Polished brass

Standard door thickness: 35-50mm



5800



Cylindrical Lever lock series

Material: 201 / 304 Steel

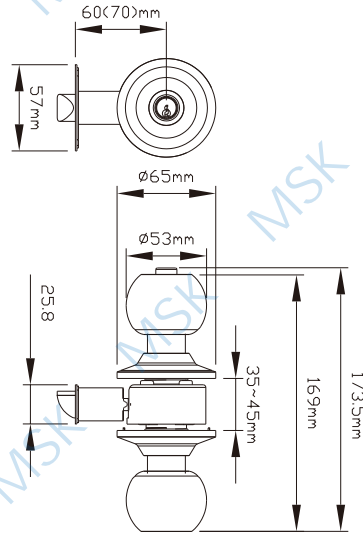
Function: Entrance / Privacy / Passage / Dummy

Finish: Satin nickel / Matte black / Oil rubbed bronze / Antique brass / Antique copper / Satin chrome / Chrome plated / Antique nickel / Polished brass

Standard door thickness: 35-50mm



5871-1



Cylindrical Lever lock series

Material: 201 / 304 Steel

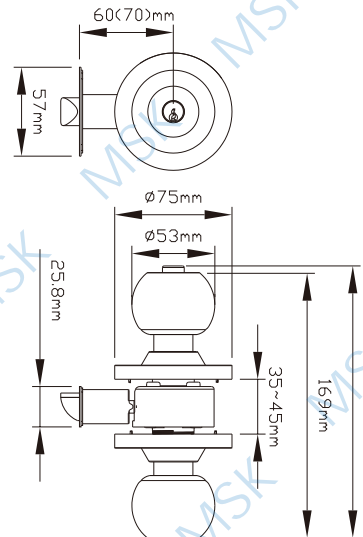
Function: Entrance / Privacy / Passage / Dummy

Finish: Satin nickel / Matte black / Oil rubbed bronze / Antique brass / Antique copper / Satin chrome / Chrome plated / Antique nickel / Polished brass

Standard door thickness: 35-50mm



5871-2



Cylindrical Lever lock series

Material: 201 / 304 Steel

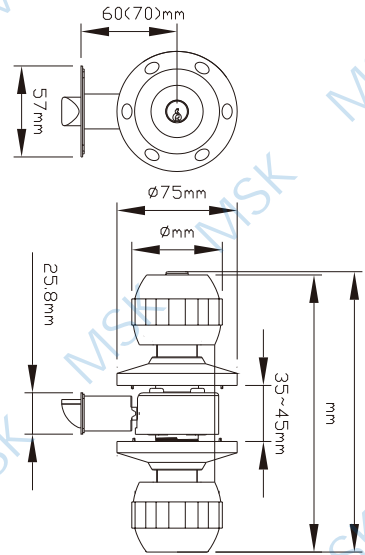
Function: Entrance / Privacy / Passage / Dummy

Finish: Satin nickel / Matte black / Oil rubbed bronze / Antique brass / Antique copper / Satin chrome / Chrome plated / Antique nickel / Polished brass

Standard door thickness: 35-50mm



5880



Cylindrical Lever lock series

Material: Zinc Alloy / Steel

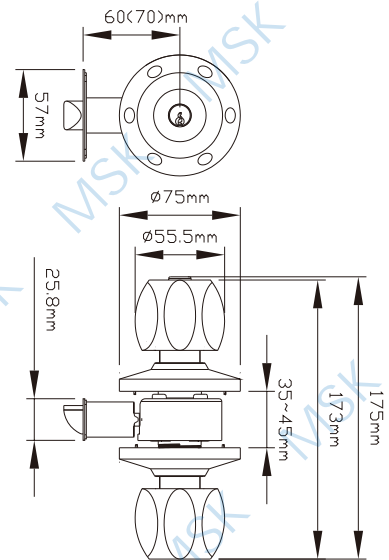
Function: Entrance / Privacy / Passage / Dummy

Finish: Satin nickel / Matte black / Oil rubbed bronze / Antique brass / Antique copper / Satin chrome / Chrome plated / Antique nickel / Polished brass

Standard door thickness: 35-50mm



5881



Cylindrical Lever lock series

Material: Zinc Alloy / Steel

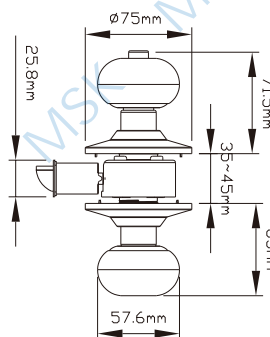
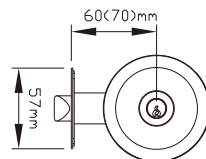
Function: Entrance / Privacy / Passage / Dummy

Finish: Satin nickel / Matte black / Oil rubbed bronze / Antique brass / Antique copper / Satin chrome / Chrome plated / Antique nickel / Polished brass

Standard door thickness: 35-50mm



5791-1



Cylindrical Lever lock series

Material: 201 / 304 Steel

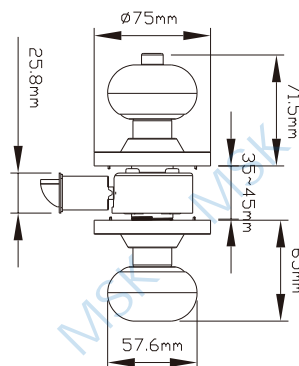
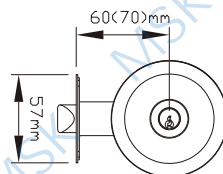
Function: Entrance / Privacy / Passage / Dummy

Finish: Satin nickel / Matte black / Oil rubbed bronze / Antique brass / Antique copper / Satin chrome / Chrome plated / Antique nickel / Polished brass

Standard door thickness: 35-50mm



5791-2



Cylindrical Lever lock series

Material: 201 / 304 Steel

Function: Entrance / Privacy / Passage / Dummy

Finish: Satin nickel / Matte black / Oil rubbed bronze / Antique brass / Antique copper / Satin chrome / Chrome plated / Antique nickel / Polished brass

Standard door thickness: 35-50mm

LATCH



SL-01

45° 60/70mm adjustable latch



SL-02

45° 60mm latch



SL-03

45° 70mm latch



SL-04

90° 60/70mm adjustable latch



SL-05

Deadbolt 60/70mm
adjustable latch



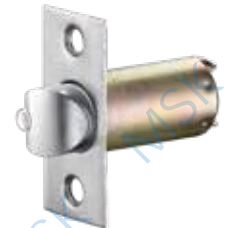
SL-06

4-ways adjustable latch



SL-07

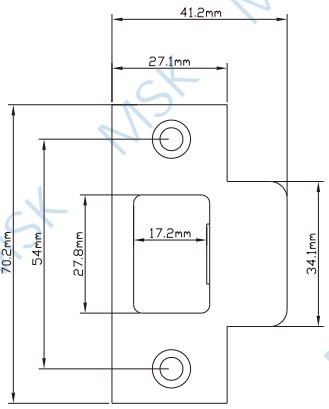
Cylindrical 60mm latch



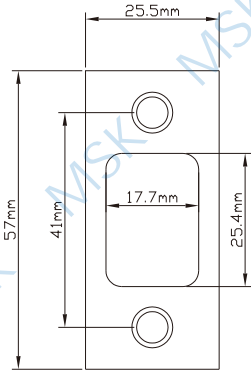
SL-08

Cylindrical 70mm latch

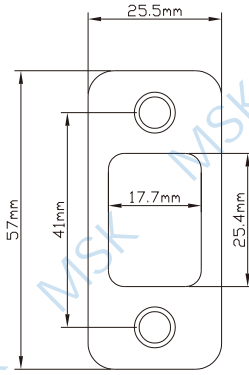
STRIKE



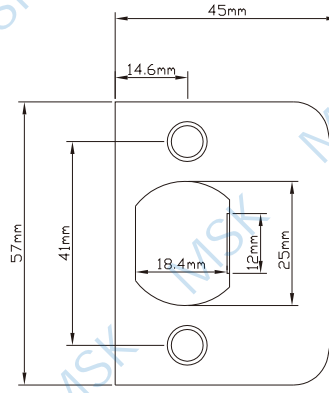
KB-01



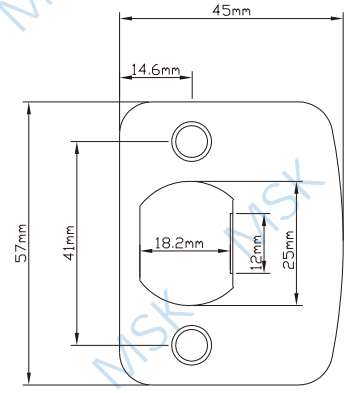
KB-02



KB-03

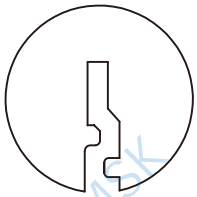


KB-04

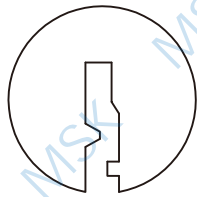


KB-05

KEYWAY



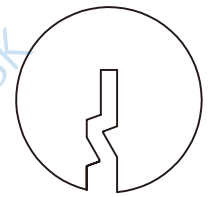
KWIKSET



WEISER



YALE



SCHLAGE