

DTC400XL: Machine Overview

High Speed CNC Drill Tap Machining Center

24 Pocket Disc Type Magazine

12,000RPM High Speed Spindle

Optional 20,000RPM High Speed Spindle

Big Plus Dual Contact BBT-30

FANUC OiMF with Fine Mould Package

AICCI with 400 Block Look Ahead

Linear Roller Guide Way System

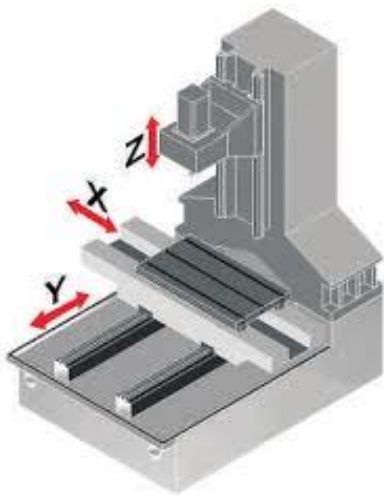
Large Capacity Rear Access Chip Tray

Automatic Pallet Changers Available

Factory Integrated Rotary Table Options

AMS[®]

a **JTEKT** Strategic Alliance Company



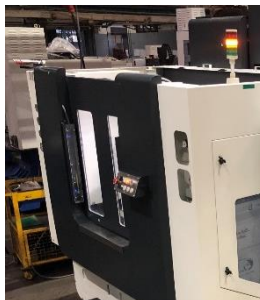
DTC400XL: Machine Design

The DTCXL and XLL Machines are designed for drill tap applications as well as full milling capabilities. These compact machines are designed from the ground up to shave cycle times through both high speed and accurate machining. The added capability of the large capacity (24) pocket tool changer allows for the DTC line to handle applications traditionally pushed off to a larger style machine.



The DTC Line of Drill Tap Machining Centers features the FANUC OiMF CNC Control. AICCI with 400 block look ahead is built into the base control package. This standardly equipped control package helps to unlock the full potential of the high speed machine design.

Equip your machine with a Factory Linear Pallet Change or Rotary Pallet Changer feature to further enhance the productivity gains.



Available with factory integrated rotary table and hydraulic clamping solutions. Fully tooled up solutions are also available upon review for a complete automated package.



Machine Envelope and Travels

X Axis Travel	19.7" (500 mm)
Y Axis Travel	15.7" (400 mm)
Z Axis Travel	12.6" (320 mm)
Spindle Nose to Top of Pallet	5.11" (130mm)
Rapid Traverses (X, Y and Z Axes)	60,60,48m/min

Machine Table

Table Size	29.5" x 15.7" (750 x 400 mm)
Maximum Work Load on the Pallet	660 lbs. (300 kg)
Pallet Height from Floor	33.46" (850 mm)

Spindle Specifications

Spindle Speed	12,000 RPM
Options Speed	20,000RPM
Spindle Drive Motor	10HP

Tooling and Magazine

Spindle Nose Taper	BBT30
Standard Tool Storage Capacity	Twenty Four (24)
Maximum Tool Size (Diameter x Length)	(Diameter x Length) ϕ 3.14" x 7.87" (ϕ 80 x 200 mm)
Maximum Tool Weight	5.5 lbs. (2.5 kg)
Chip to Chip Change Cycle Time	1.8 sec
Tool Selection	Bi-Directional Random

Machine Dimensions and Requirements

Power Capacity (208V)	20 kVA
Standard Floor Space	Refer to Layout

Machine Base Package

12,000 RPM – 10HP Direct Drive Spindle	STD
Big Plus Spindle Modification	STD
FANUC OiMF Control w/ 10.4" Screen	STD
24 Tool Magazine Servo Driven Disc Magazine	STD
850mm x 400mm Table	STD
Hand Held Coolant Gun	STD
AICCI with 400 Block Look Ahead	STD
CE Specification	STD
Chip Flushing on the Base	STD
Coolant Tank with Large Capacity Chip Tray	STD
Heavy Duty Linear Roller Guide Design	STD
Front Auto Door w/ Omron Safety Light Curtain	STD
Machine Work Light	STD

