



POWERSPORTS &
EQUIPMENT REPAIR

LAWN TRACTOR SEASONAL SERVICE

Starting at \$150 plus supplies & HST. Varies by make/model, but can include:

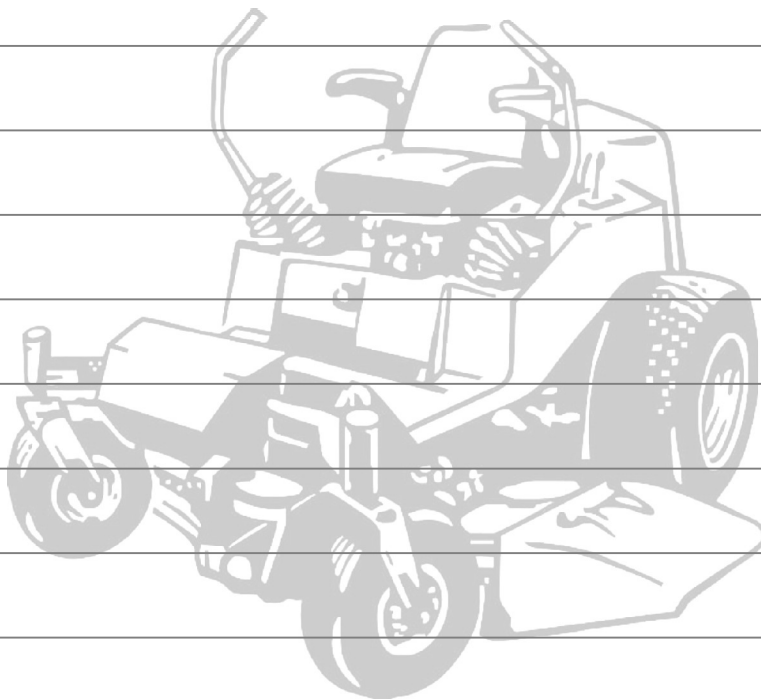
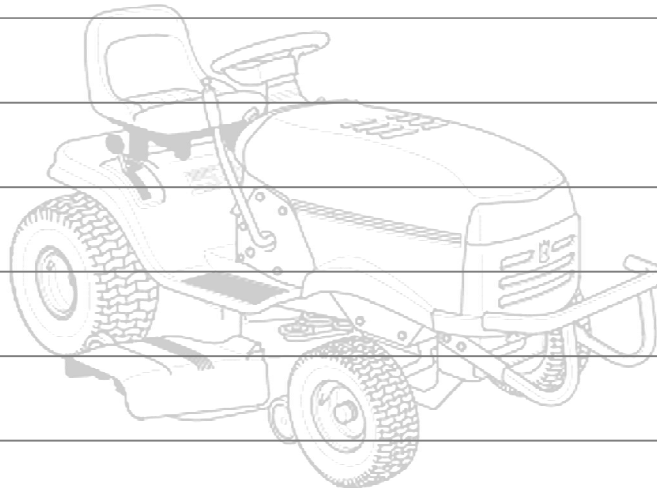
1. Change engine oil and oil filter as required.
2. Visual check and note any signs of engine or drive fluid leaks.
3. Check/clean/replace air filter as required.
4. Check/clean/replace spark plug(s) as needed.
5. Check/change fuel filter as needed.
6. Load test battery – charge/replace as required.
7. Verify electrical switches, controls and starting parts are working properly.
8. Verify headlights and any accessory electrical items are operating properly.
9. Check/adjust control levers/cables as required.
10. Check wheel drive belt condition.
11. Check hydrostatic drive fluid if applicable.
12. Change hydro drive fluid and filters as needed (extra labour item).
13. Check wheel bearing/bushings for excess wear (grease as required).
14. Check steering/suspension parts for wear (grease as required).
15. Check tire wear and condition.
16. Set tire pressures to specification.
17. Check brakes and brake linkage condition.
18. Check deck drive belt condition.
19. Check deck lift linkage and components.
20. Remove deck and clean excess debris from top and bottom. Check deck condition (holes, rust, damage etc.).
21. Remove cutting blade(s). Inspect/sharpen/replace as required (up to 5min/blade sharp time)
22. Check deck pulleys, bearings, spindles for wear/damage (grease as required).
23. Check deck anti scalp wheels for wear/damage (grease as required).
24. Grease any other grease fittings as needed.



POWERSPORTS &
EQUIPMENT REPAIR

25. Test unit for proper operation after service/repairs completed.

NOTES





POWERSPORTS &
EQUIPMENT REPAIR

