

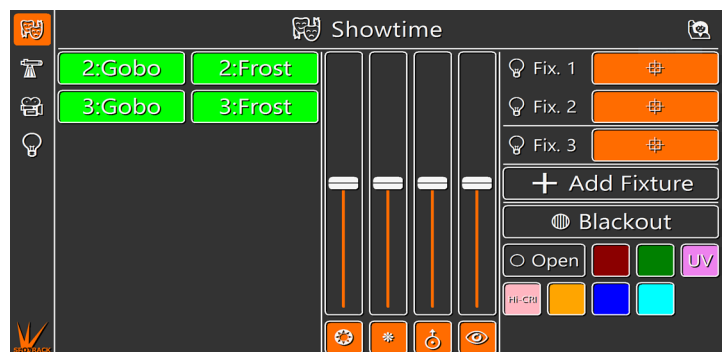
SPOTRACK Remote On Board



Remote on Board brings **Spottrak** patented tracking technology to both mouse and handlebar-based systems.

Fixtures equipped with **Spottrak On Board** technology require only minimal calibration and can be extended by multiple additional fixtures, with each fixture requiring a quick calibration.

If an **On Board** equipped fixture is not available a **Spot-Cam** tracking camera can be used in its place.



Remote On Board is controlled via an intuitive touch screen interface.

The multi-touch system puts full control over beams at the operators finger tips, colour wheels, gobos and other creative features may be defined in the fixture.

100mm sliders fall readily under each hand and can be assigned to control any of the beam sliders, or additional functionality such as zoom of the video feed or Z (height) compensation.

Onscreen indicators in the dedicated video display keep the user informed about any effects that are active, such as the current colour wheel selection.

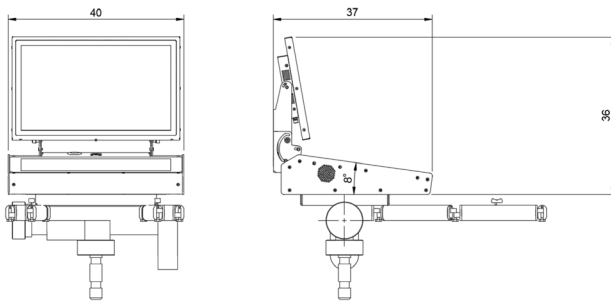
Remote on Board is the ideal tracking system where setup time is at a premium, or simply when Handlebar control is preferred.



Remote On Board features:

- Minimal calibration with a single **Spotrack On Board** equipped fixture
- Touchscreen control over Dimmer, Iris, Zoom, Focus as well as Color wheels and other fixture specific functions
- Handlebar sliders assignable to any on screen slider, or special functions
- Add multiple extra fixtures, even from different manufacturers, with fast calibration
- Fixtures input from any Art-Net universe, and output to any universe independently
- Auto Generate Art-Net as needed for console-free operation
- Auto fix "slow" Art-Net as needed for slow or irregular sources
- Auto Merge (HTP) multiple inputs into a single output universe as needed
- On the fly Z compensation, both up and down
- Live video magnification on continuous zoom up to 4.8x
- On screen indicators for important reminders
- On screen help

SPECIFICATIONS

SKU	SPOTRACK-ROB
Type	Spotrack Remote On Board
Form Factor	Dual Screen, Folding, All in One + Handlebar
Handlebar	48° Tilt, and continuous Pan, with high resolution encoders. 2 x 100mm sliders Torque control dampers 5 piece fully adjustable arms
Touch Display	15.6", high brightness, 10 point touch, full HD
Video Display	15.6", high brightness, full HD
Ports	AC In/Out (Neutrik Powercon True Top) 2 x 5 Pin DMX for DMX In/Out individually configurable 1 x Ethernet for networking 1 x PoE Ethernet for Spot-Cam or Spotrack On Board fixtures 4 x USB3 type A (one used for Handlebar, 3 free ports) 2 x 12V XLR 3Pin accessory (for gooseneck lights or similar)
Options	Spot-Cam tracking camera
Size (cm)	
Power	110-230V AC, 500W
Weight	20 Kg

