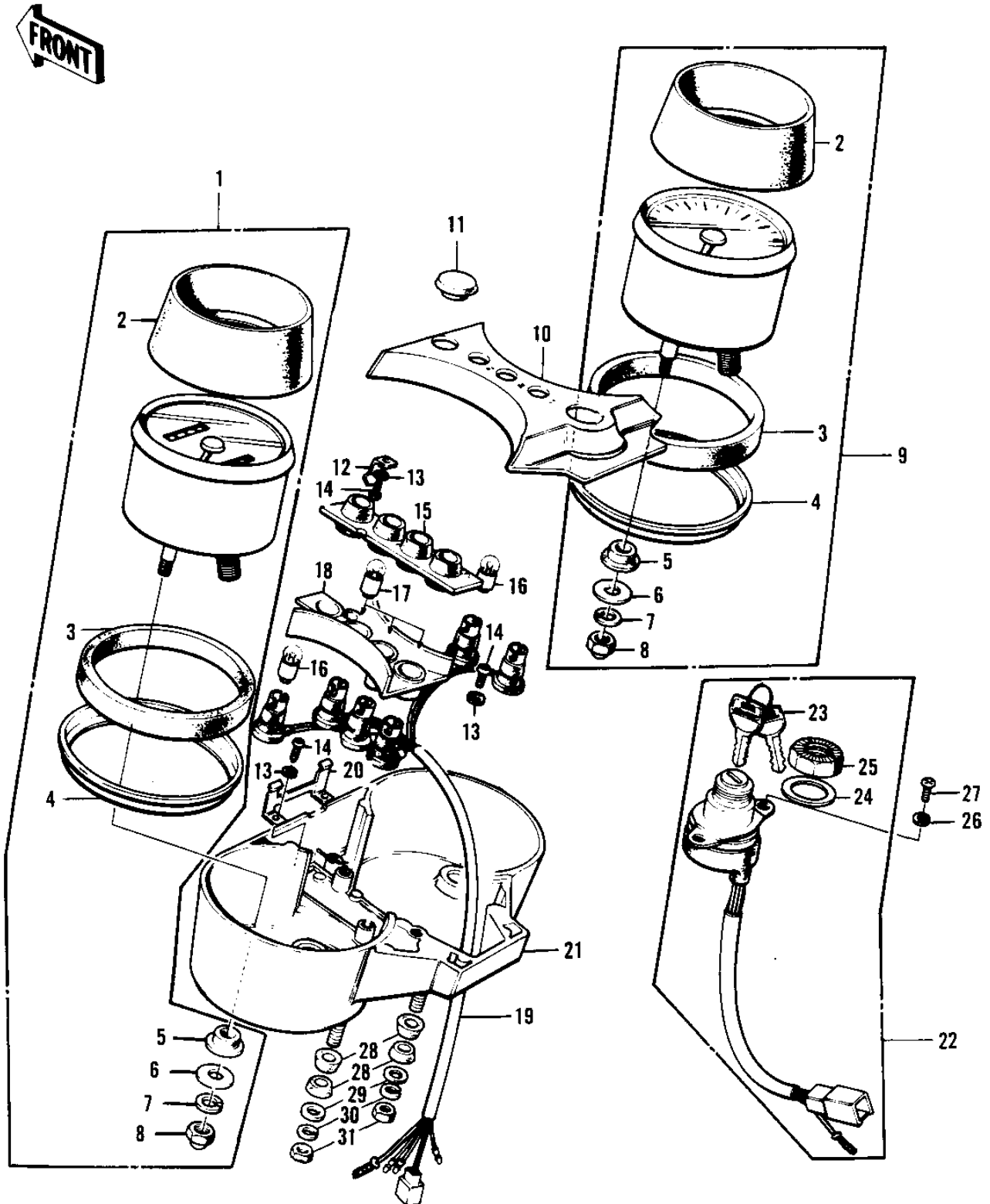


1973 H1-D PARTS DIAGRAM

METERS/IGNITION SWITCH ('73-'75 D/E/F &



1045-235-7 H1-D/E/F, KH500-A8

1973 H1-D PARTS LIST

METERS/IGNITION SWITCH ('73-'75 D/E/F &

ITEM NAME	PART NUMBER	QUANTITY
SPEEDOMETER ASSY,MPH (Ref # 1)	25005-090	1
SPEEDOMETER ASSY,MPH (Ref # 1)	25005-109	1
SPEEDOMETER ASSY,MPH (Ref # 1)	25005-124	2
SPEEDOMETER ASSY KPH (Canada) (Ref # 1)	25005-111	1
COVER-METER (Ref # 2)	25012-012	1
DAMPER RUBBER-METER (Ref # 3)	25019-015	1
RING-METER (Ref # 4)	25026-001	1
DAMPER RUBBER-METER (Ref # 5)	25019-013	1
WASHER PLAIN 5MM (Ref # 6)	411B0500	1
WASHER SPRING 5MM (Ref # 7)	461F0500	2
NUT,5MM (Ref # 8)	92015-059	1
TACHOMETER ASSY (Ref # 9)	25015-026	1
COVER-METER CASE (Ref # 10)	25023-002	1
COVER,METER CASE (Ref # 10)	25023-009	1
PLUG,RUBBER (Ref # 11)	92074-032	1
HOLDER-METER CASE COV (Ref # 12)	25014-004	1
WASHER SPRING 4MM (Ref # 13)	461F0400	1
SCREW PAN HEAD 4X8 (Ref # 14)	220B0408	1
DAMPER RUBBER-METER (Ref # 15)	25019-014	1
BULB 12V 3W (Ref # 16)	92069-018	1
BULB 12V 1.5W (Ref # 17)	92069-017	1
COVER-METER SOCKET (Ref # 18)	25023-003	1
SOCKET-METER (Ref # 19)	25011-029	1
SOCKET,METER. (Ref # 19)	25011-040	1
HOLDER-METER CASE (Ref # 20)	25014-003	1
CASE-METER (Ref # 21)	25008-026	1
SWITCH ASSY,IGNITION (Ref # 22)	27005-050	1
SWITCH ASSY,IGNITION (Ref # 22)	27005-054	1
KEY SET,#190 (Ref # 23)	27008-048-90	1

1973 H1-D PARTS LIST

METERS/IGNITION SWITCH ('73-'75 D/E/F &

ITEM NAME	PART NUMBER	QUANTITY
KEY SET,#195 (Ref # 23)	27008-048-95	1
KEY SET,#911 (Ref # 23)	27008-055-11	1
KEY SET,#925 (Ref # 23)	27008-055-25	1
KEY,BLANK (Ref # 23)	27008-1024	1
KEY,BLANK (Ref # 23)	27008-1025	1
WASHER-IGNITION (Ref # 24)	27019-002	1
NUT-IGNITION SWITCH (Ref # 25)	27007-003	1
SCREW PAN HEAD 5X8 (Ref # 27)	220B0508	1
DAMPER RUBBER (Ref # 28)	92075-080	1
WASHER PLAIN 8MM (Ref # 29)	411B0800	1
WASHER SPRING 8MM (Ref # 30)	461F0800	1
NUT,8MM (Ref # 31)	311B0800	1