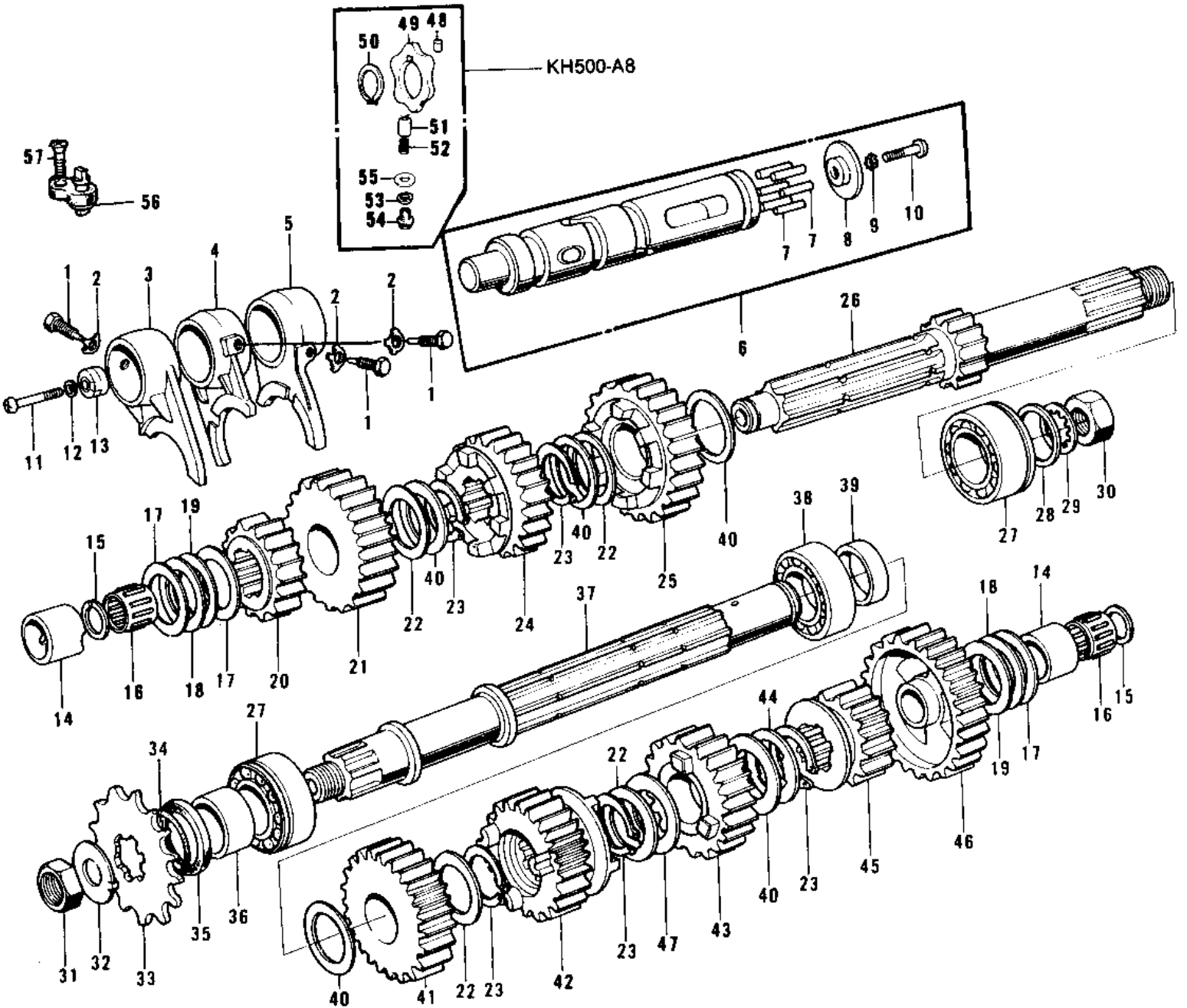


1973 H1-D PARTS DIAGRAM

TRANSMISSION/CHANGE DRUM ('73-'77 D/E/F)



1973 H1-D PARTS LIST

TRANSMISSION/CHANGE DRUM ('73-'77 D/E/F)

| ITEM NAME | PART NUMBER | QUANTITY |
|---------------------------------|-------------|----------|
| PIN SELECT FORK GUIDE (Ref # 1) | 92043-016 | 1 |
| WASHER LOCK 10MM (Ref # 2) | 92031-001 | 1 |
| FORK,SELECTOR,2ND&3RD (Ref # 3) | 13140-064 | 1 |
| FORK SELECTOR TOP (Ref # 4) | 13140-013 | 1 |
| FORK-SELECTOR,LOW (Ref # 5) | 13140-014 | 2 |
| DRUM ASSY-GEAR CHANGE (Ref # 6) | 13239-007 | 1 |
| DRUM ASSY,CHANGE (Ref # 6) | 13239-023 | 1 |
| PIN GEAR CHANGE DRUM (Ref # 7) | 92042-014 | 1 |
| PLATE CHANGE DRUM PIN (Ref # 8) | 13142-004 | 1 |
| WASHER LOCK 6MM (Ref # 9) | 464H0600 | 1 |
| SCREW PAN HEAD 6X14 (Ref # 10) | 220B0614 | 1 |
| SCREW PAN HEAD 6X25 (Ref # 11) | 220B0625 | 1 |
| WASHER SPRING 6MM (Ref # 12) | 461F0600 | 1 |
| ROTOR NEUTRAL SWITCH (Ref # 13) | 13147-001 | 1 |
| ROTOR TRANSMISSION (Ref # 13) | 13147-005 | 1 |
| BUSH (Ref # 14) | 92028-073 | 1 |
| CIRCLIP (Ref # 15) | 92033-015 | 1 |
| BEARING NEEDLE (Ref # 16) | 92046-010 | 1 |
| WASHER THRUST (Ref # 17) | 92022-112 | 1 |
| SHIM-KICK SHAFT (Ref # 18) | 92022-144 | 1 |
| WASHER,THRUST (Ref # 18) | 92022-223 | 1 |
| WASHER THRUST (Ref # 19) | 92022-113 | 1 |
| 2ND GEAR DRIVE SHAFT (Ref # 20) | 13130-017 | 1 |
| 4TH GEAR DRIVE SHAFT (Ref # 21) | 13134-003 | 1 |
| WASHER 25MM (Ref # 22) | 92022-076 | 1 |
| WASHER PLAIN (Ref # 22) | 92022-161 | 1 |
| CIRCLIP (Ref # 23) | 92033-026 | 1 |
| 3RD GEAR DRIVE SHAFT (Ref # 24) | 13132-014 | 1 |
| TOP GEAR-DRIVE SHAFT (Ref # 25) | 13136-041 | 1 |

1973 H1-D PARTS LIST

TRANSMISSION/CHANGE DRUM ('73-'77 D/E/F)

| ITEM NAME | PART NUMBER | QUANTITY |
|----------------------------------|-------------|----------|
| SHAFT DRIVE (Ref # 26) | 13127-019 | 1 |
| BEARING BALL 6205NX3 (Ref # 27) | 92045-010 | 1 |
| WASHER THRUST (Ref # 28) | 92022-114 | 1 |
| WASHER LOCK 20MM (Ref # 29) | 463G2000 | 1 |
| NUT 20MM (Ref # 30) | 92016-028 | 1 |
| NUT 18MM (Ref # 31) | 92015-019 | 1 |
| WASHER,LOCK,18MM (Ref # 32) | 92024-067 | 1 |
| ENGINE SPROCKET 15T (Ref # 33) | 13144-030 | 1 |
| ENGINE SPROCKET 14T (Ref # 33) | 13144-035 | 1 |
| ENG SPROCKET 16T (OPT (Ref # 33) | 13144-036 | 1 |
| "O" RING (Ref # 34) | 92055-035 | 1 |
| OIL SEAL SC325210 (Ref # 35) | 92050-024 | 1 |
| SPACER-ENG SPROCKET (Ref # 36) | 92026-1024 | 1 |
| SHAFT OUTPUT (Ref # 37) | 13128-020 | 1 |
| BEARING BALL #6005 (Ref # 38) | 601B6005 | 1 |
| COLLAR (Ref # 39) | 92027-052 | 1 |
| WASHER-THRUST (Ref # 40) | 92022-225 | 2 |
| 2ND GEAR OUTPUT SHAFT (Ref # 41) | 13131-011 | 1 |
| 4TH GEAR OUTPUT SHAFT (Ref # 42) | 13135-007 | 1 |
| 3RD GEAR OUTPUT SHAFT (Ref # 43) | 13133-015 | 1 |
| WASHER-LOCK (Ref # 44) | 92024-033 | 1 |
| TOP GEAR OUTPUT SHAFT (Ref # 45) | 13137-010 | 1 |
| LOW GEAR OUTPUT SHAFT (Ref # 46) | 13129-024 | 1 |
| WASHER,LOCK (Ref # 47) | 92024-072 | 1 |
| PIN-DOWEL,4X6 (Ref # 48) | 610A0406 | 1 |
| DISC,CHANG DRUM OPRTN (Ref # 49) | 13145-006 | 1 |
| CIRCLIP,30MM (Ref # 50) | 480J3000 | 1 |
| PIN-NEUTRAL POSITION (Ref # 51) | 92043-076 | 1 |
| SPRING (Ref # 52) | 92081-112 | 1 |

1973 H1-D PARTS LIST

TRANSMISSION/CHANGE DRUM ('73-'77 D/E/F)

| ITEM NAME | PART NUMBER | QUANTITY |
|---------------------------------|-------------|----------|
| GASKET (Ref # 53) | 92065-090 | 1 |
| BOLT,10MM (Ref # 54) | 92001-131 | 1 |
| WASHER THRUST (Ref # 55) | 92022-053 | 1 |
| SWITCH NEUTRAL (Ref # 56) | 13151-012 | 1 |
| SCREW CNTSNK HD 6X16 (Ref # 57) | 221B0616 | 1 |