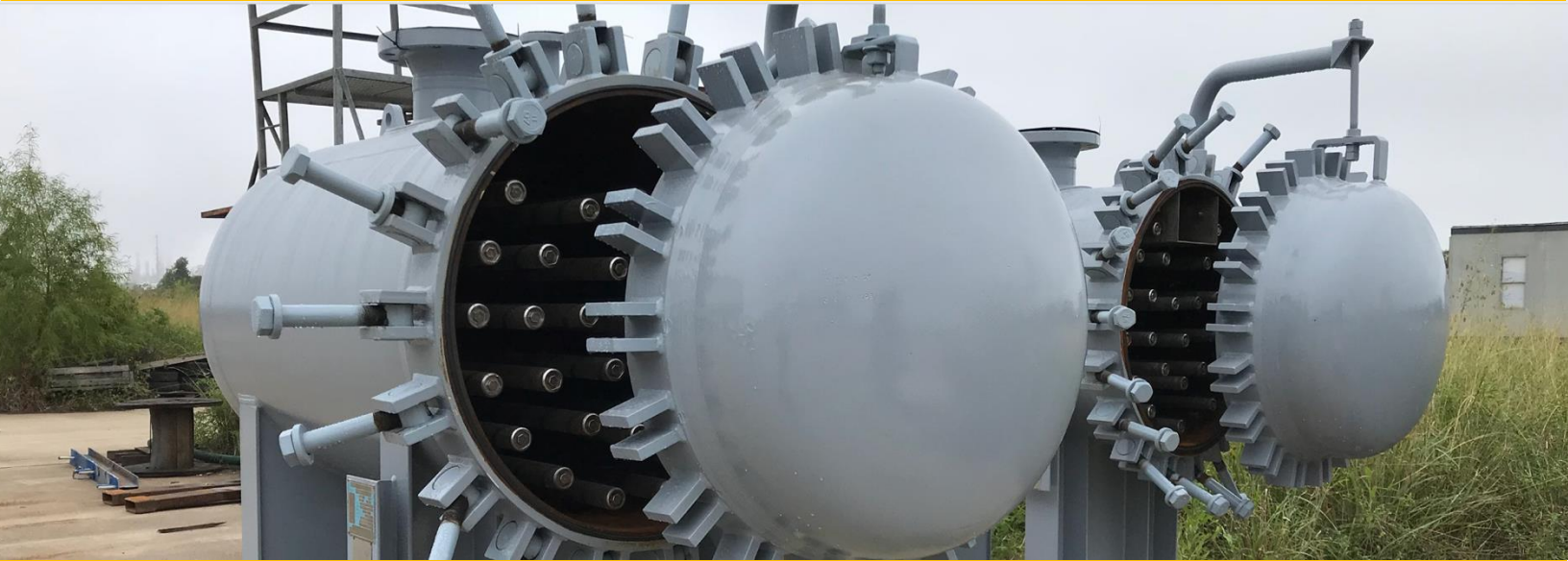




Amine Optimization

Specializing in Amine Unit Performance

Amine Unit Rental Coalescer & Filter Vessels



Amine Optimization Company
25003 Pitkin Road, A100
The Woodlands, Texas 77386
Tel +1 (832) 777-7066

www.AmineOptimization.com

- No capital costs
- Flexible filtration capabilities
- Technical support
- Rent to own





Amine Optimization

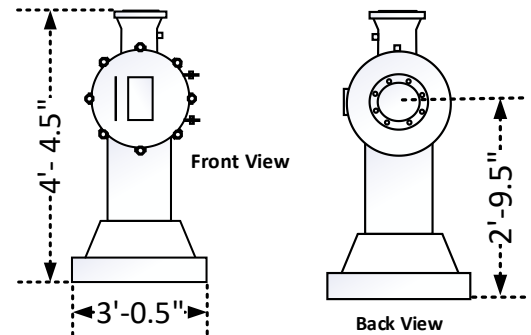
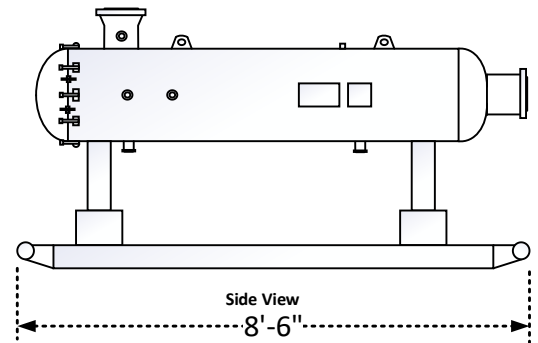
Specializing in Amine Unit Performance

Horizontal Filter Vessel Type A – Vessel Details

- Pressure rating: 275 PSI @ 350 F
- 3 filter elements
- Recommended flow rate: 150 gpm (300 gpm maximum)
- 6" - 150# inlet and outlet flanges
- 2" drains and vents
- Carbon steel construction
- Swing bolt closure
- Footprint: 3' x 8.5'
- 2,300 lb empty weight

Filter Element Details

- Series 660FX filter elements
- 6" OD x 60" long
- In-to-Out filtration flow direction
- Coreless filter element technology
- Can be used with bag filter elements
- Filter media: cellulose, polypropylene, cotton and glass fiber
- Low and high temperature filter elements available
- Filtration mode: surface or depth filtration
- Micron ratings: 0.5 microns - 150 microns



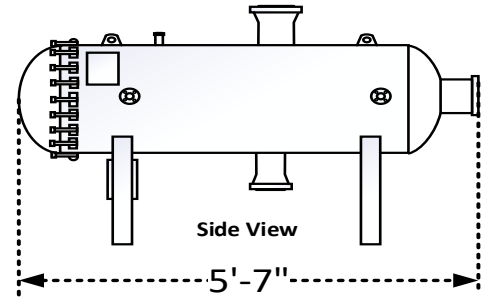


Amine Optimization

Specializing in Amine Unit Performance

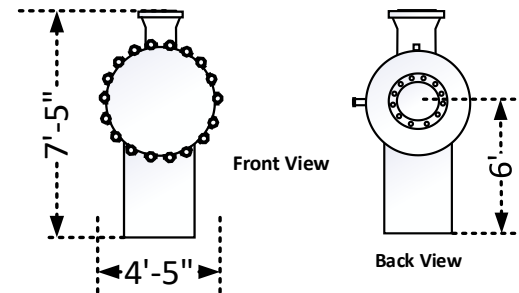
Horizontal Filter Vessel Type B – Vessel Details

- Pressure rating: 300 PSI @ 350 F
- 25 or 33 filter elements
- Recommended flow rate: 650 or 750 gpm (1300 or 1500 gpm maximum)
- 8" - 300# Inlet and outlet flanges
- 1" drains and vents
- Carbon steel construction
- Swing bolt closure
- Footprint: 4'-5" x 5'-7"
- 2,900 lb empty weight



Filter Element Details

- Series 425FX filter elements
- 4.25" OD x 40" long
- Out-to-In filtration flow direction
- Coreless filter element technology
- Filter media: cellulose, polypropylene, cotton and glass fiber
- Low and high temperature filter elements available
- Filtration modes: surface or depth filtration
- Micron ratings: 0.5 microns - 150 microns



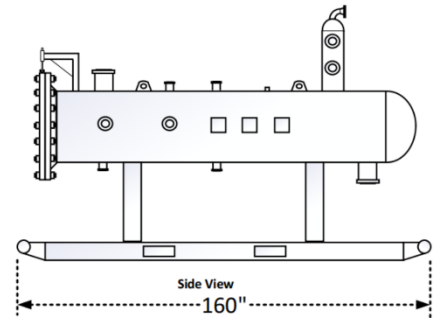


Amine Optimization

Specializing in Amine Unit Performance

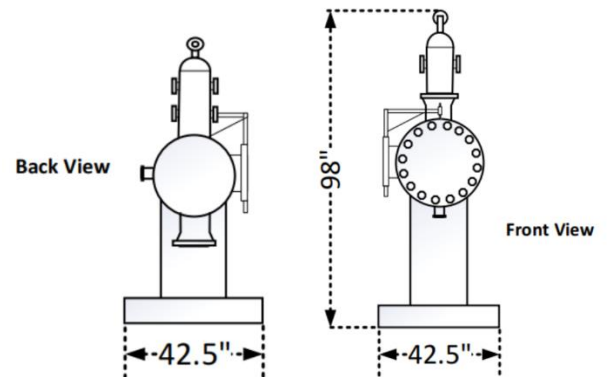
Horizontal Liquid/Liquid Coalescer – Vessel Details

- Pressure rating: 150 PSI @ 275 F
- 3 coalescing elements
- Recommended flow rate: 200 gpm (300 gpm maximum)
- 8" - 150# Inlet and outlet flanges
- 2" drains and vents
- Carbon steel construction
- Swing bolt closure
- Footprint: 3'-6" x 13'-4"
- 1,900 lb empty weight



Filter Element Details

- Series 660CX coalescing elements
- 6.0" OD x 40" long or 60" long
- In-to-Out coalescing flow direction
- Coreless element technology
- Coalescing media: formulated and proprietary fiber arrays
- Low and high temperature filter elements available
- Micron ratings: 0.5 microns - 150 microns





Amine Optimization

Specializing in Amine Unit Performance

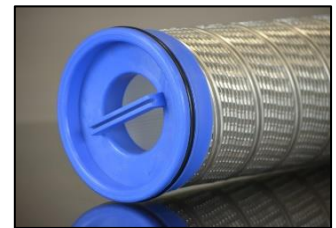
Filter & Coalescing Element Series 660 – Coreless Technology

- Absolute or Beta 5000 media efficiency rating
- Design allows for easy installation and change out
- Inside-to-outside flow retains solids inside the element for clean disposal
- O-ring (EPDM/Viton) seal to ensure positive capture of contaminants
- Fixed pore structure prevents particle or liquids unloading
- Superior construction combined with excellent quality control
- High solids loading capacity (filter)
- High liquids removal capacity (coalescing)
- Lean amine or rich amine liquid filtration applications
- Designed with a handle for simple removal
- Can be also used in glycol unit filtration



Filter Element Series 425 – Coreless Technology

- Absolute and Beta 5000 media efficiency rating
- Design allows for easy installation and change out
- Outside-to-inside flow for best solids loading
- O-ring (EPDM) seal to ensure positive capture of contaminants
- Fixed pore structure prevents particle unloading
- Superior construction combined with excellent quality control
- High solids loading capacity
- Lean amine or rich amine liquid filtration applications
- Designed with a folding handle to minimize flow restrictions
- Can be also used in glycol unit filtration



Technical Services

- General and advanced consulting
- Onsite support and troubleshooting
- Onsite testing and sampling
- Complete systems and ancillary parts
- Filtration evaluation
- Coalescing evaluation
- Best filter media verification
- Best coalescing media verification
- Correct materials compatibility
- Rent to purchase options
- Installation support
- Operation support

