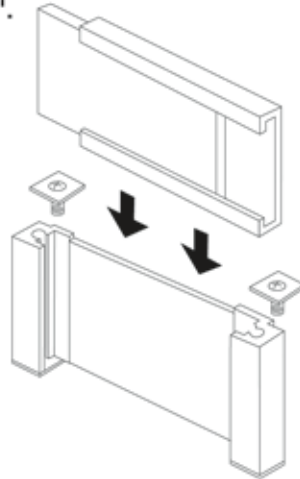


## EURO SIGN SYSTEM

Square and round head screws are specially designed to cap off extrusions, and lock in the holder assemblies. Simply remove the top screws and slide sign assemblies out for a quick change. Screw holes are tapped for repeated use. Custom sizes are available. Please fax a quote request to our Quote Department. Available colors: Satin Silver, Polished Silver, Matte Black, Polished Yellow Gold and Polished Rose Gold. Prices are for frames up to 100 perimeter inches. Please request a quote for larger frames. Frames may be subject to crating charge. Maximum frame size is 39" x 36".

2" x 8", 2" x 10" and other popular size directories in the Euro System use standard JRS holders (#36, 106, 109, 112, 89 and 37). Sign assemblies with sizes such as 6" x 6", 8" x 8", 12" x 12" etc. and other custom sizes use two #75 J-moldings as top and bottom rails for sign assemblies.



**Note: All Euro Frame Holders hold 1/16"**

Part No.	Insert Size
218208 Square	2" x 8"
220208 Round	2" x 8"
218210 Square	2" x 10"
220210 Round	2" x 10"
218312 Square	3" x 12"
220312 Round	3" x 12"
218618 Square	6" x 18"
220618 Round	6" x 18"
218606 Square	6" x 6"
220606 Round	6" x 6"
2181212 Square	12" x 12"
2201212 Round	12" x 12"
218808 Square	8" x 8"
220808 Round	8" x 8"
218806 Square	8" x 6"
220806 Round	8" x 6"



**Commonly ordered sizes listed above. Not Stocked. Non-Returnable.**

All holders and frames can be combined for quantity discounts.

All frames must be ordered by inside dimension.

Larger frames may require an ABS backer for sturdiness (Nominal added charge.)

**See price list for current pricing and quantity discounts.**

**All frames are made to order. Custom sizes available. Non-returnable.**

Drawings required for custom quotes. Fax or email our quote dept.



ACCOUNTING  
PAYROLL

304

West  
Jacques  
Muncie &  
Atherton

Accountancy Corp.  
Certified Public Accountants

310