

ARCHITECTURAL ALUMINUM FRAMES

Architectural Aluminum Frames are custom fabricated to your specifications based on the inside dimension of the frame. Custom Wall Frames, Frames with Dividers, Desk Frames, Counter Frames, Corridor and Ceiling Frames are all available with:

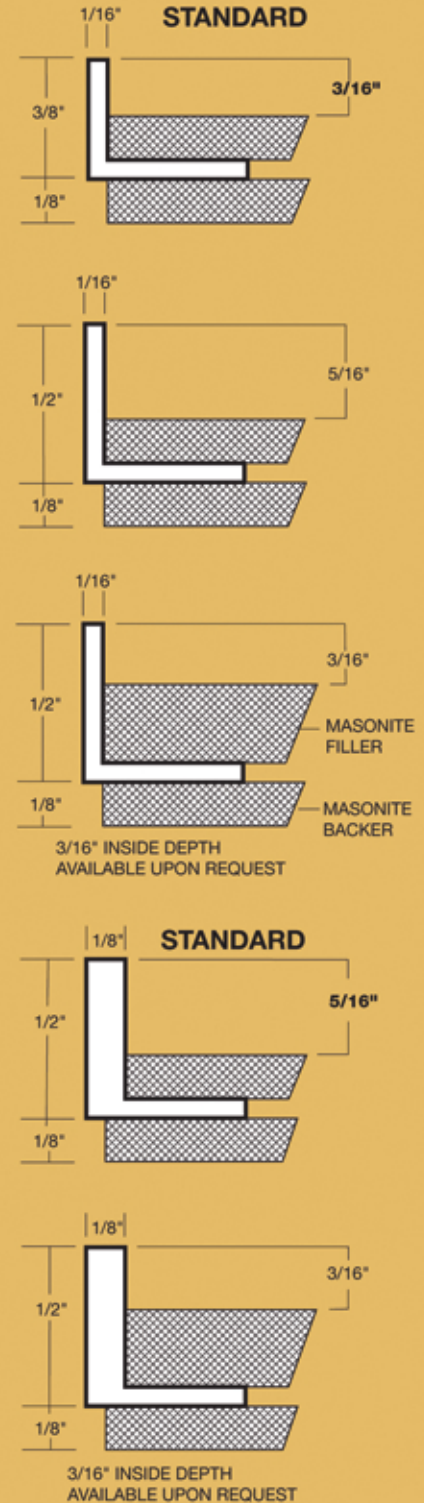
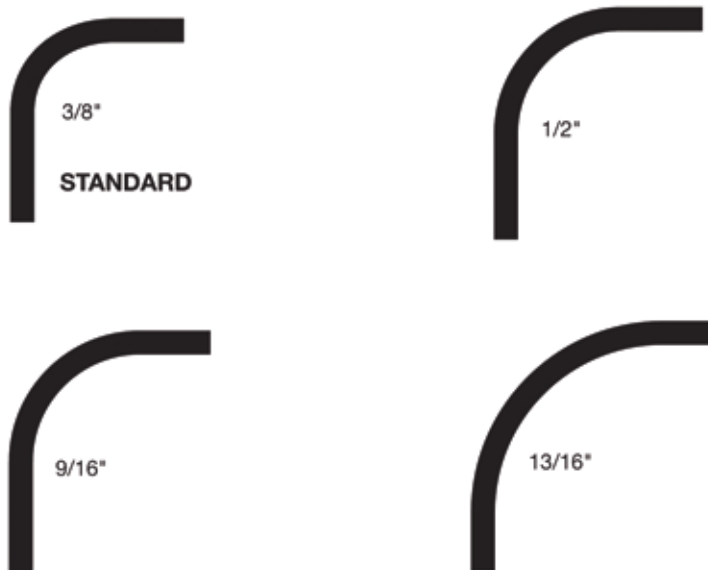
- Nine anodized finishes: Polished Rose Gold, Polished Yellow Gold, Polished Silver, Arch Bronze, JRS Bronze, Matte Black, Satin Rose Gold, Satin Yellow Gold, and Satin Silver
- Seven handsome powder coat finishes: Medium Gray, Pewter (light gray), Black, White, Almond, Brown, and Arch Brown. (May add to lead time)
- Available with a Matte Black inside metal surface for changeable magnetic signs for a additional charge. See price guide.
- **1/16" Wall Thickness** – Part number **240** square corner and **340** round corner frames are available with either a 3/8" or 1/2" outside depth plus a 1/8" backer plate. If no outside depth is specified, we will make the frames using the standard 3/8" outside depth. Frames without backer plates are available by request.

The inside depth (distance from surface of frame to inside masonite) is 3/16" for 3/8" frame and 5/16" for the 1/2" frame. 3/16" depth is available by request for the 1/2" frame. Please refer to the illustrations on this page for further details.

- **1/8" Wall Thickness** - Part number **540** square corner and **640** round corner frames are available with a 1/2" outside depth plus a 1/8" backer plate. Frames without backer plates are available by request.

The inside depth (distance from surface of frame to inside masonite) is 5/16". 3/16" depth is available by request. Please refer to the illustrations on this page for further details. Other custom depths are available by special quotation.

- Four radius corners – Inside dimensions 3/8", 1/2", 9/16", and 13/16". Unless otherwise specified we will make all radius frames with a standard 3/8" corner. Please call for pricing and availability on special radii.



Minimum frame size 2" x 4"