

# SHARK™



## © VIAL HOLDER FOR INJECTABLE PRODUCTS



# FEATURES

A SLEEK DESIGN COMBINING FUNCTIONALITY AND EFFICIENCY

NARROW CLAMP HOLDER FOR BETTER VISIBILITY

FLEXIBLE, REMOVABLE VIAL CLAMPS

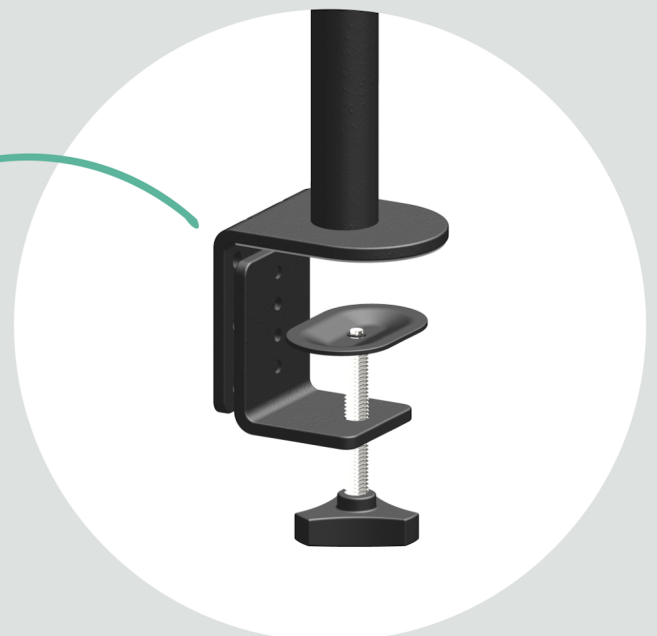


LOCKABLE ARTICULATED HEAD

LOCKABLE TELESCOPIC TUBE

RIGID ANODIZED ALUMINUM TUBE

VERSATILE INSTALLATION BASE



# FEATURES

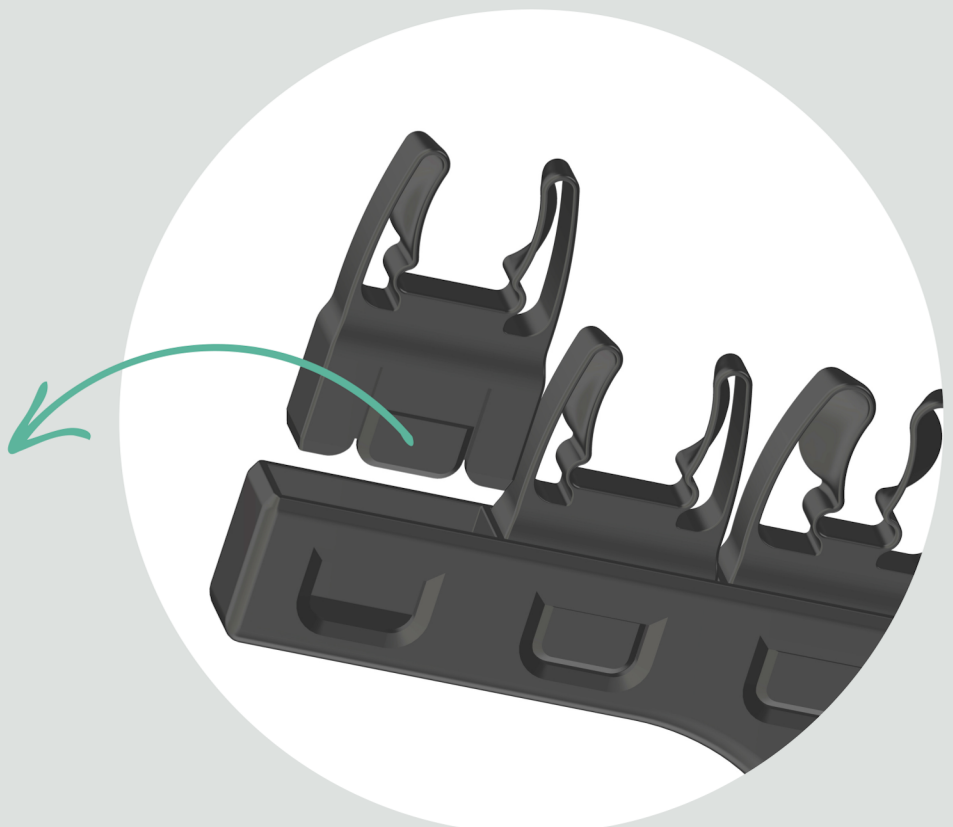
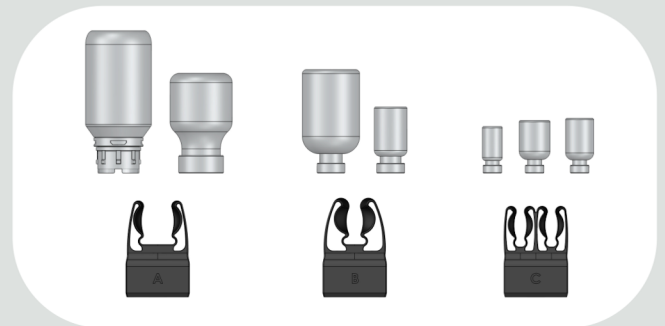
- FLEXIBLE, REMOVABLE VIAL CLAMPS



SUPPORT HEAD FOR 6 CLAMPS

CLAMP AVAILABLE IN THREE DIFFERENT MODELS (A, B, C)

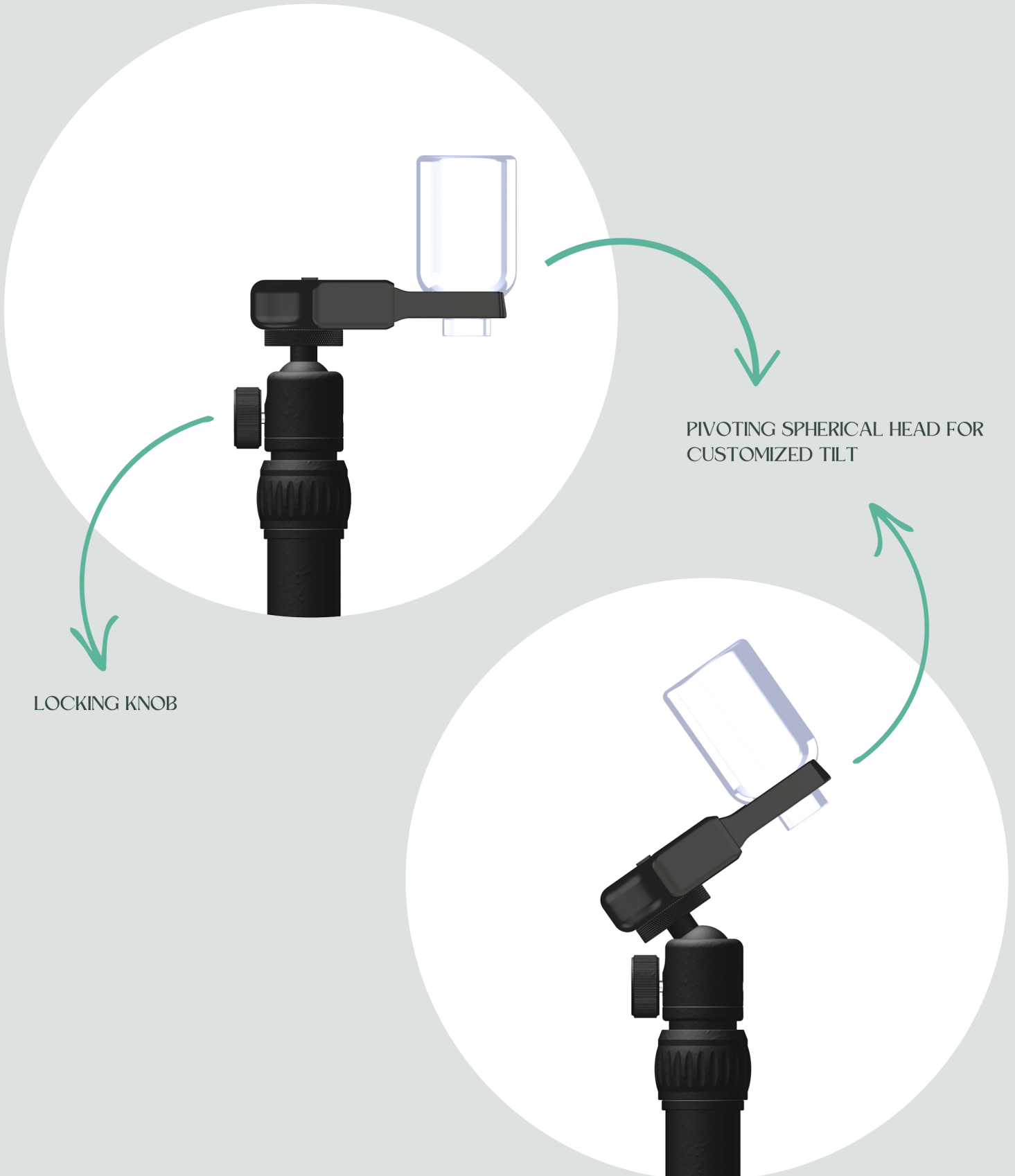
COMPATIBLE WITH MOST STANDARD VIALS FROM 1 TO 100 ML



QUICK RELEASE BUTTON

# FEATURES

- LOCKABLE ARTICULATED HEAD

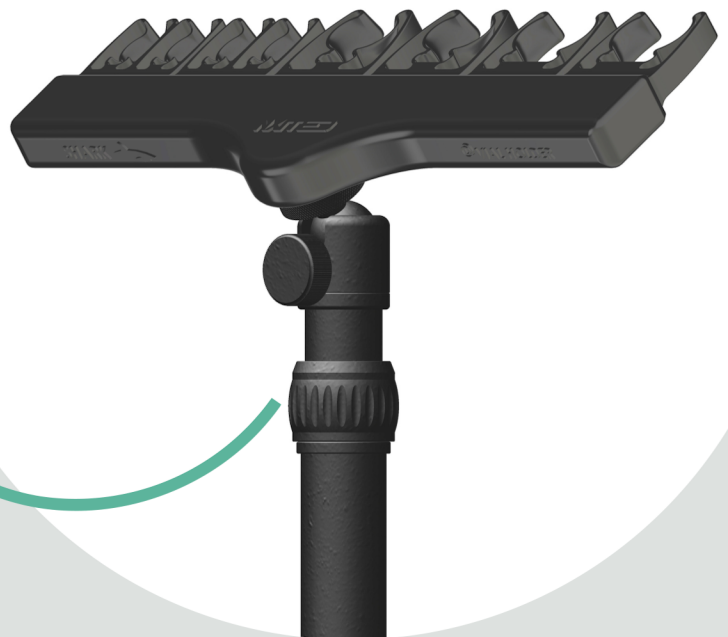




# FEATURES

- LOCKABLE TELESCOPIC TUBE

LOCKING SLEEVE



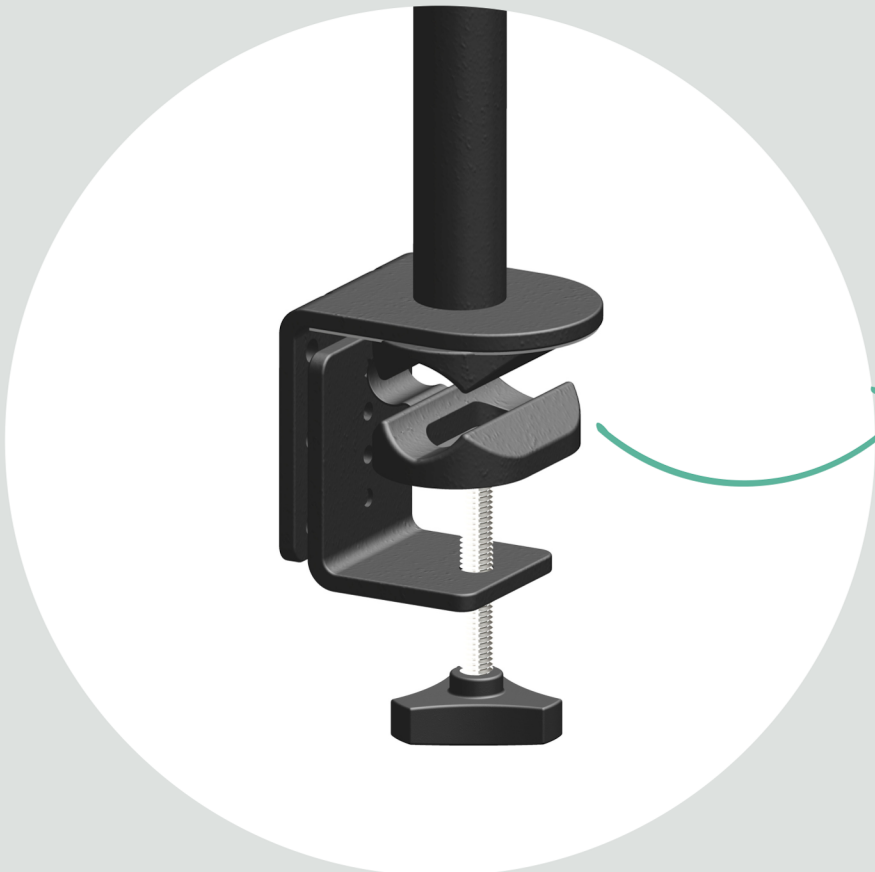
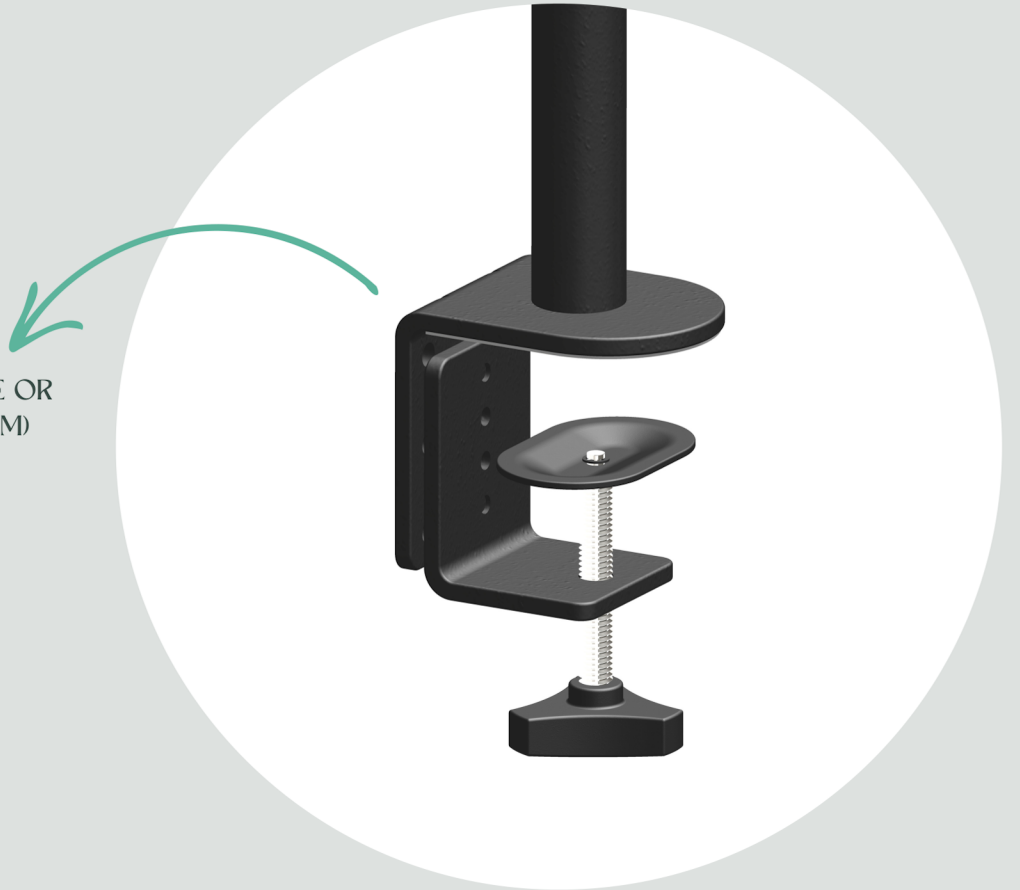
TELESCOPIC TUBE (580 - 980 MM)



# FEATURES

- VERSATILE INSTALLATION BASE

STANDARD BASE FOR FLAT SURFACE OR SQUARE TUBE (MAX. THICKNESS 80 MM)



ROUND TUBE ADAPTER (Ø 22 - 32 MM)

# NX MED

NEXT INNOVATION. NEXT SOLUTION.



[HTTPS://WWW.LINKEDIN.COM/COMPANY/NXMED/](https://www.linkedin.com/company/nxmed/)



[HTTPS://WWW.INSTAGRAM.COM/NXMED.INC/](https://www.instagram.com/nxmed.inc/)

