

INSTRUCTION FOR USE

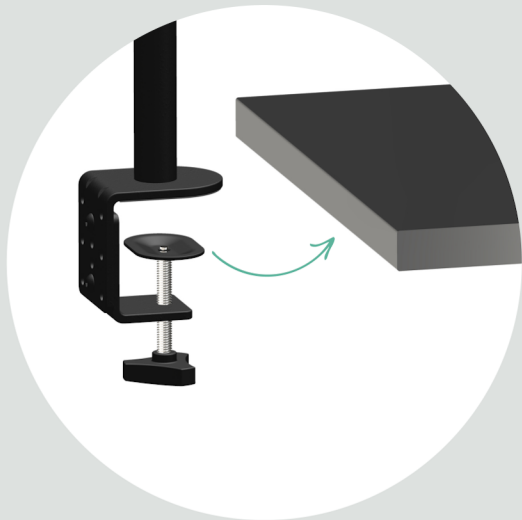
SHARK™ ® VIAL HOLDER

FOR INJECTABLE PRODUCTS

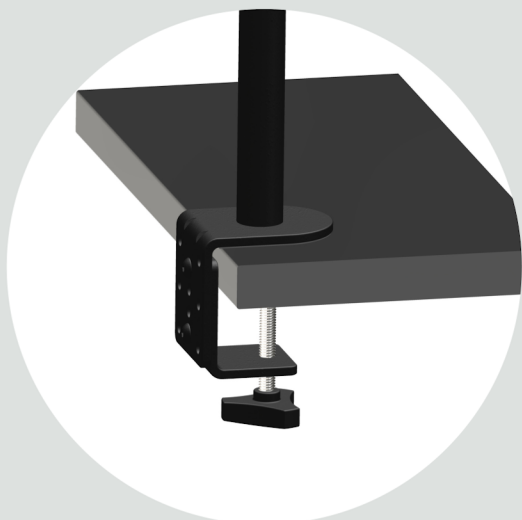


BASE CLAMP INSTALLATION

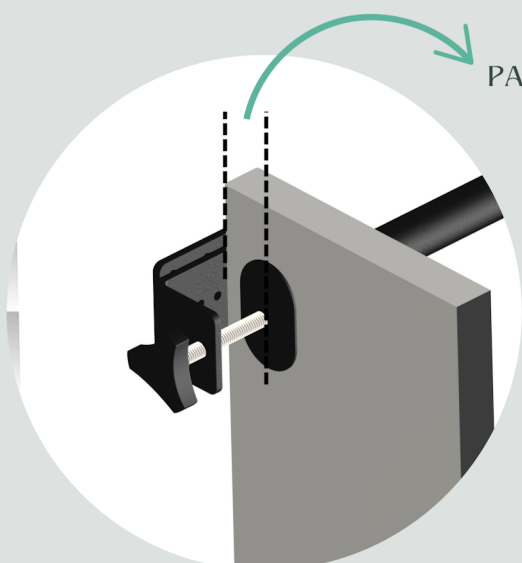
FLAT SURFACE



1. UNSCREW CLAMP KNOB UNTIL BASE CAN BE SLID ON FLAT SURFACE



2. TIGHTEN CLAMP KNOB UNTIL THE BASE IS FIRMLY FIXED



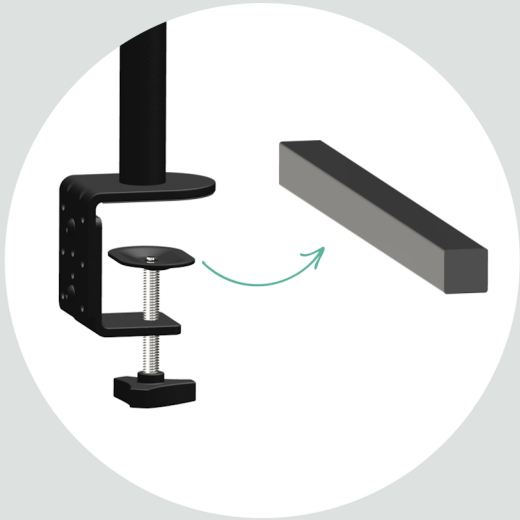
PARALLEL TO TABLE FACE

3. MAKE SURE THE OBLONG METAL SEAT IS POSITIONED PARALLEL TO TABLE FACE

NOTICE : THE SHARK VIAL HOLDER WEIGHS 3.6 LBS (EMPTY). MAKE SURE TO CHOOSE A SAFE AND PROPER BASE STRUCTURE AND INSPECT THE FINAL SETUP BEFORE OPERATION.

BASE CLAMP INSTALLATION

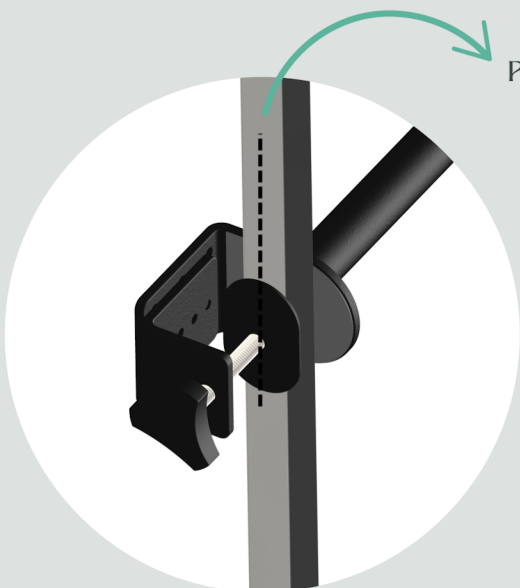
SQUARE HANDLE



1. UNSCREW CLAMP KNOB UNTIL BASE CAN BE SLID ON SQUARE HANDLE



2. TIGHTEN CLAMP KNOB UNTIL THE BASE IS FIRMLY FIXED



PARALLEL TO TUBE AXIS

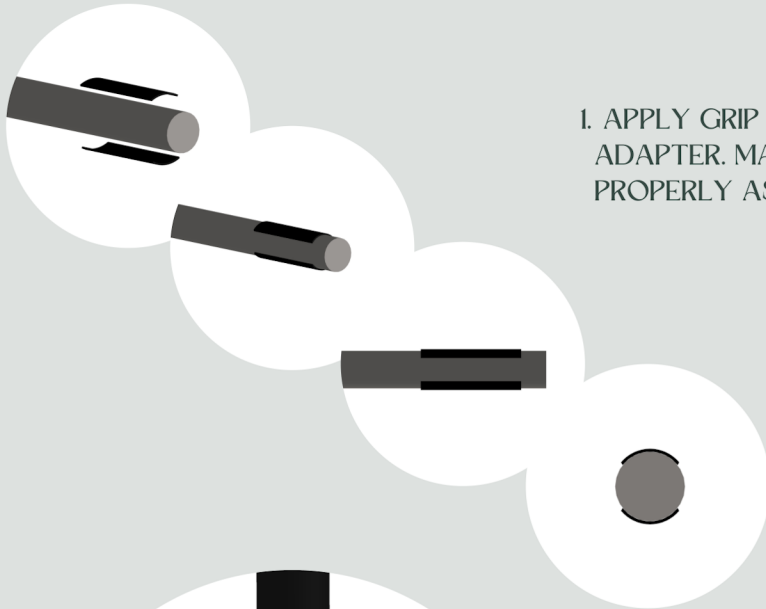
3. MAKE SURE THE OBLONG METAL SEAT IS POSITIONNED PARALLEL TO TUBE AXIS

NOTICE : THE SHARK VIAL HOLDER WEIGHS 3.6 LBS (EMPTY). MAKE SURE TO CHOOSE A SAFE AND PROPER STRUCTURE AND INSPECT THE FINAL SETUP BEFORE OPERATION.

BASE CLAMP INSTALLATION

ROUND HANDLE

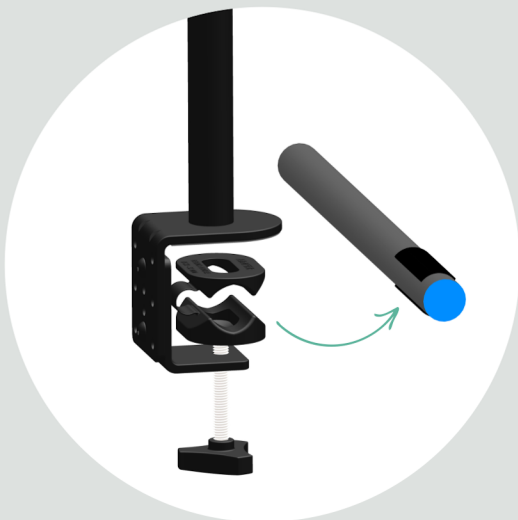
1. APPLY GRIP TAPE STRIPES PROVIDED WITH THE ROUND ADAPTER. MAKE SURE TO LINE UP BOTH STRIPES PROPERLY AS SHOWN ON LEFT IMAGES



2. INSTALL THE ROUND ADAPTER ONTO THE OBLONG METAL SEAT.

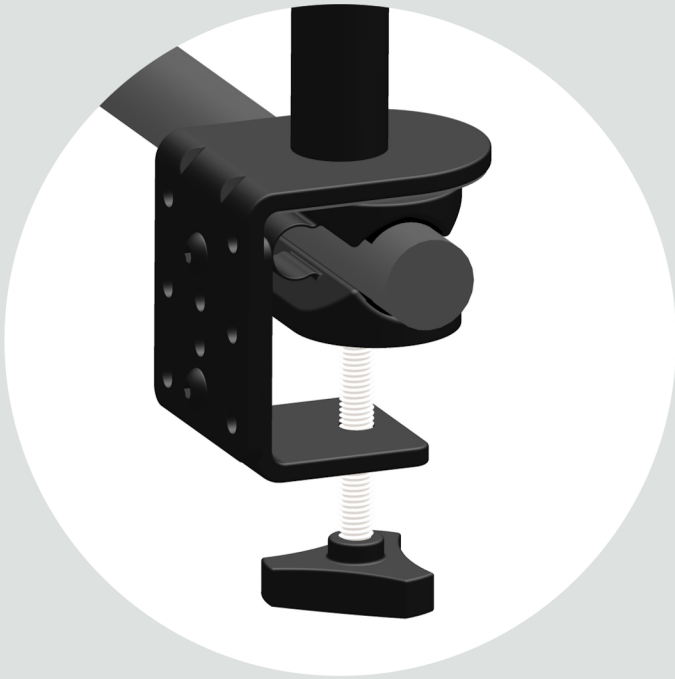


3. UNSCREW CLAMP KNOB UNTIL BASE CAN BE SLID ON ROUND HANDLE

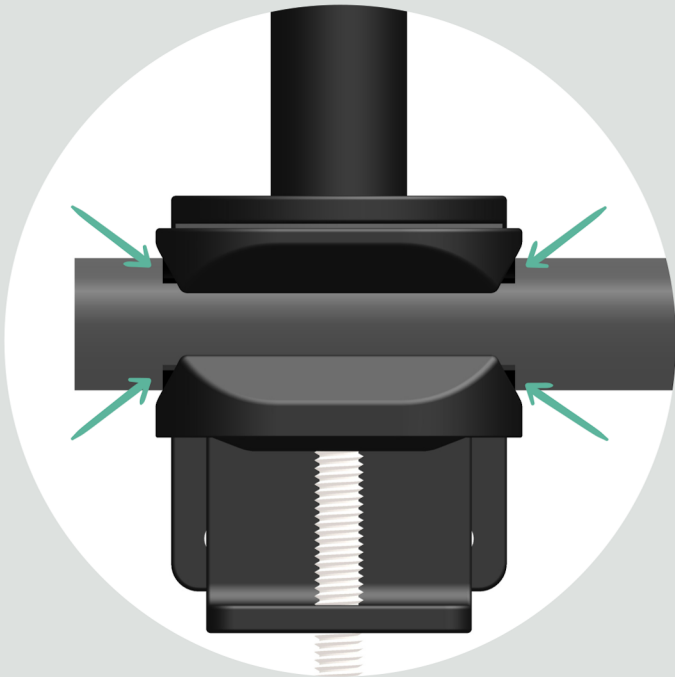


BASE CLAMP INSTALLATION

ROUND HANDLE



4. TIGHTEN CLAMP KNOB UNTIL THE BASE IS FIRMLY FIXED

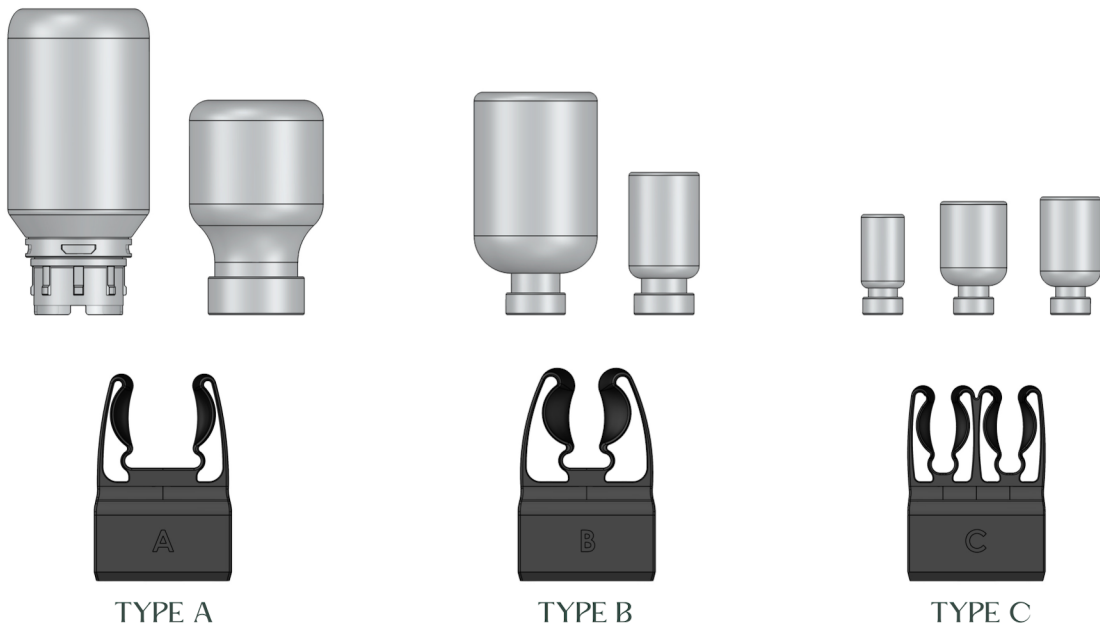


5. MAKE SURE THE BASE/ADAPTER ASSEMBLY IS PROPERLY LINED UP WITH THE GRIP TAPE STRIPES AS SHOWN ON LEFT IMAGE

NOTICE : THE SHARK VIAL HOLDER WEIGHS 3.6 LBS (EMPTY). MAKE SURE TO CHOOSE A SAFE AND PROPER STRUCTURE AND INSPECT THE FINAL SETUP BEFORE OPERATION.

VIAL HANDLING

VIAL COMPATIBILITY



THE CLAMP TYPE A, B & C ARE SPECIFICALLY DESIGNED TO FIT WITH THE MOST STANDARD VIAL SIZES USED ON THE MARKET.

IN MOST CASES, THE CLAMPS WILL FIT THE FOLLOWING VIAL VOLUMES :

- TYPE A : 50 TO 100 ML VIAL
- TYPE B : 10 TO 50 ML VIAL
- TYPE C : 1 TO 5 ML VIAL

IN SOME CASES, THE CLAMPS MIGHT BE COMPATIBLE WITH OTHER VIAL VOLUMES. IF SO, MAKE SURE TO VISUALLY CHECK THE COMPATIBILITY. IN DOUBT, PLEASE REACH OUT TO US AT INFO@NXMED.CA FOR VALIDATION.

THE VIALS SHOULD CLIP INTO THE CLAMPS EASILY AND WITHOUT EXCESSIVE FORCE. EXCESSIVE FORCE APPLIED TO THE CLAMP COULD RESULT IN BREAKAGE OR PREMATURE WEAR.

VIAL HANDLING

CLAMP TYPE A & B

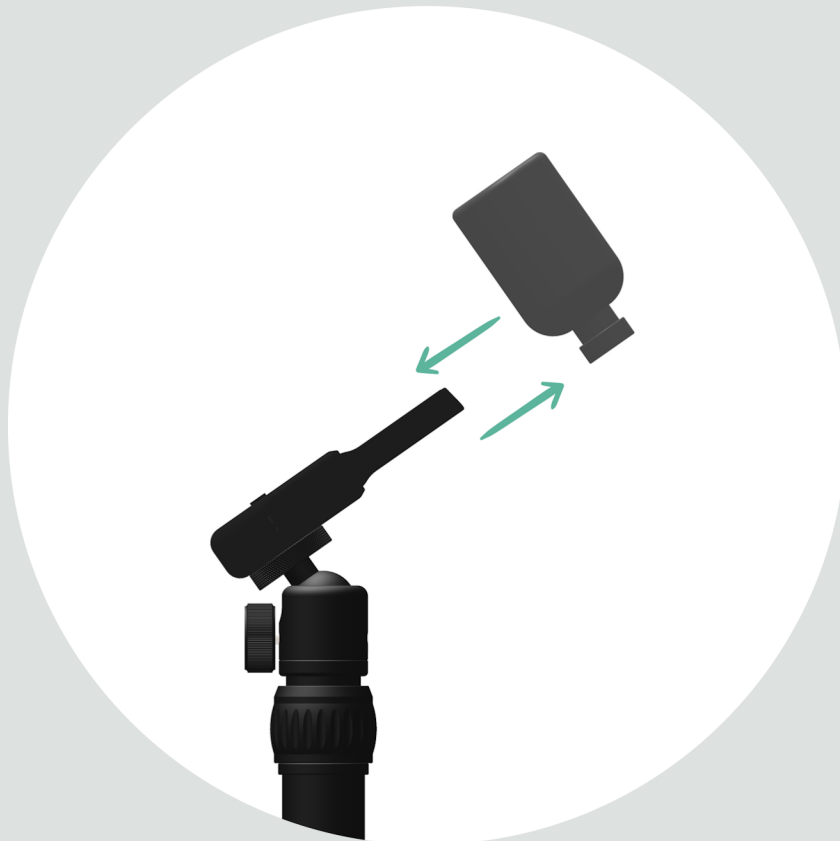


TYPE A



TYPE B

FOR EASY AND SMOOTH OPERATION, THE VIALS SHALL BE INSERTED AND REMOVED IN CLAMP A & B USING A BACK AND FORTH FRONTAL ACTION LIKE SHOWN BELOW



VIAL HANDLING

CLAMP TYPE C



TYPE C

FOR EASY AND SMOOTH OPERATION, THE VIALS SHALL BE INSERTED AND REMOVED IN CLAMP TYPE C USING A BACK AND FORTH FRONTAL ACTION LIKE SHOWN BELOW



NX MED

NEXT INNOVATION. NEXT SOLUTION.



[HTTPS://WWW.LINKEDIN.COM/COMPANY/NXMED/](https://www.linkedin.com/company/nxmed/)



[HTTPS://WWW.INSTAGRAM.COM/NXMED.INC/](https://www.instagram.com/nxmed.inc/)

