



COLOSSUS INDUSTRIAL HVLS FAN

PRODUCT SPECIFICATIONS

HIGH VOLUME LOW SPEED FAN



Design Highlights

- Optimized 5-blade profile for low speed rotary airfoil application and near ground effect
- Large “Air Current Depth” - horizontal floor jet of 3-9 ft (1-3 m)
- NACA airfoil profile reduces drag while producing more airflow
- Standard black corrosion-resistant anodized blades
- Fan Safety System incorporates steel hub, aircraft-grade safety cable and guy wires
- Patent pending aluminum hub and blade support system
- High efficiency Variable Frequency Drive (VFD)
- Less than 55 dBA*
- Adjustable speed control panel with forward/off/reverse switch, self-diagnostics and 4 digit pass code protection
- Aerodynamic blade winglets with patent-pending design
- Supplied with 25 feet of Power Cable pre-wired to fan motor (connection to power source by others)
- Fused disconnect
- Patented facility fire system compatibility (can be daisy chained)
- ULC 507 Approved (Entire Fan)

*Results of sound measurement in the field may vary due to variations in surface types, environment and conditions.

Motor Size

- 1.5 HP (All Blade Sizes except 24FT)
- 2 HP (24 FT/7.3 M Blades Only)

Fan Diameter

- 8 FT (2.4 M)
- 10 FT (3.0 M)
- 12 FT (3.7 M)
- 14 FT (4.3 M)
- 16 FT (4.9 M)
- 18 FT (5.5 M)
- 20 FT (6.1 M)
- 24 FT (7.3 M)

Available Options

- Mounting Extension _____FT / M
- Extra Wide Beam Plate _____FT / M
- Powder Coated Blades _____
- Custom Powder Coated Frame & Mount
- Fire Control Panel (Standard & Networked Fans)
- Multiple Fan Remote (2-6)
- iFan 4.3
- iFan 7.0
- BAS Integration
- Slave Remote



E506041

EPS-CIHVLS-0420

COLOSSUS INDUSTRIAL HVLS FAN

PRODUCT SPECIFICATIONS

HIGH VOLUME LOW SPEED FAN

Construction	
Frame	Black Powder Coat / Welded Steel Fabrication
Hub Assembly	6061-T6 Aluminum
Blade Struts (Invertible)	Clear Zinc / High Tensile Steel
Blades	Anodized / 6063-T6 Aluminum
Blade End Winglets	Aluminum 3003-H14

Safety Components	
Steel Hub Plate	
Safety Cable	Galvanized 1/4" x 7 x 19 Steel Aircraft Grade Cable
Guy Wires	Galvanized 1/8" x 7 x 19 Steel Aircraft Grade Cable
Rotor Retaining Ring	Zinc Plated / 3/16 A569 Steel

Mounting Hardware	
Standard Mount	Universal I-Beam Clamp w/ Swivel Joint & 7" Drop
Laminated Wood Beam Clamp (Optional)	Brackets
Extra Wide / Thick I-Beam Mount (Optional)	Consult Factory
Additional Drop Extensions (Optional)	Up to 10 FT in 1 FT Increments

Source Voltage	
Standard Power	208-230V 1Ø or 3Ø, 460-480V, 575V 3Ø*
*Requires additional transformer enclosure	

Gearbox and Motor	
Enclosure / Insulation Class / Efficiency Class	IP55 / F / IE3
Type	2-Stage Helical
Service Interval	Lubed For Life

VFD Assembly	
Enclosure	NEMA 1
Remote CAT 5E Cable	1 - 100 Feet / 30.48 Meters
50hz Operation (Optional)	(Not included with iFAN™ option)
Disconnect	Panel Mount, UL/CE
UL Certified	
Internal Fusing Included	

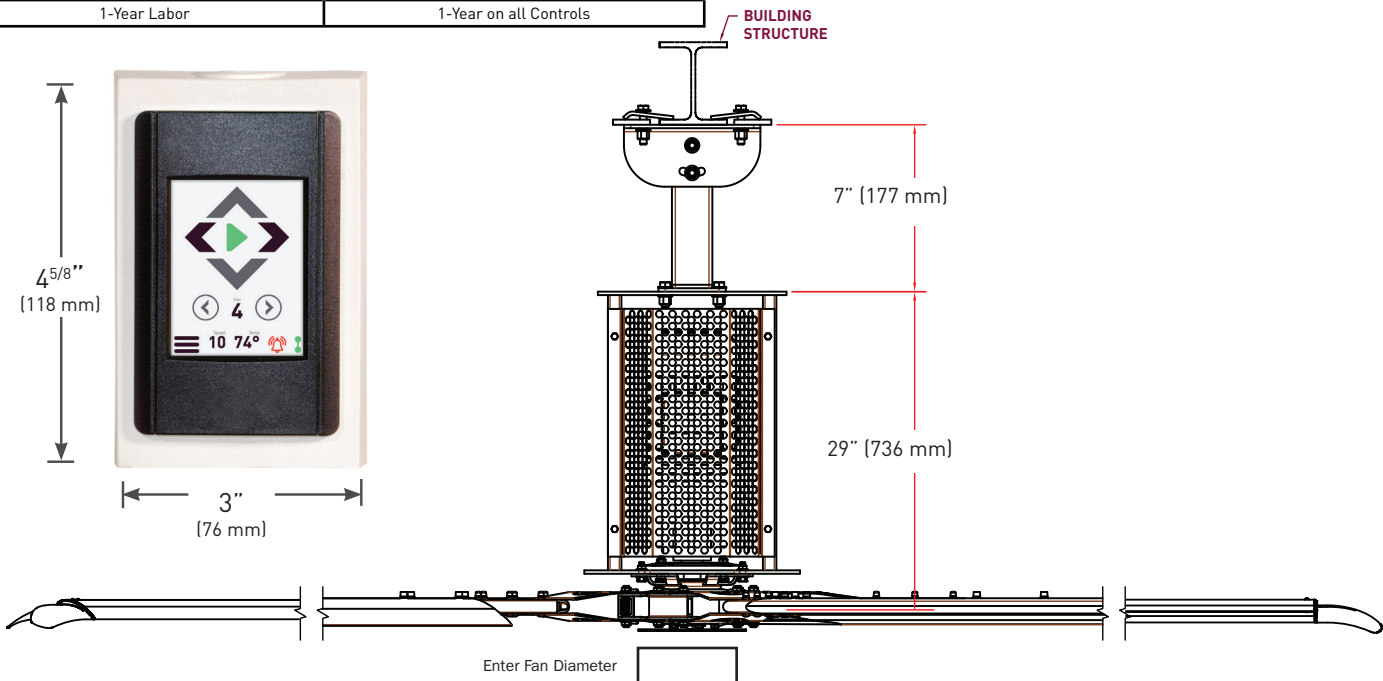
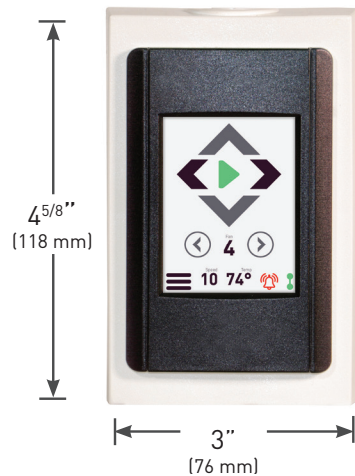
Fan Control Station	
Type	Touchscreen LCD
Connection	CAT 5E (provided)
Mounting	STD Wall J-Box

Warranty	
Lifetime Warranty on Blades, Hub & Frame	15-Year Mechanical
15-Year Non Pro Rated	7-Year Electrical
1-Year Labor	1-Year on all Controls

Fan Size	Hanging Weight	Normal Industrial Spacing	RPM
8 FT 1.5 HP	164 lbs. [73 kg]	55 feet	198
10 FT 1.5 HP	173 lbs. [82 kg]	60 feet	154
12 FT 1.5 HP	181 lbs. [86 kg]	65 feet	125
14 FT 1.5 HP	189 lbs. [86 kg]	70 feet	106
16 FT 1.5 HP	198 lbs. [94 kg]	90 feet	92
18 FT 1.5 HP	206 lbs. [101 kg]	95 feet	81
20 FT 1.5 HP	214 lbs. [105 kg]	100 feet	72
24 FT 2 HP	231 lbs. [107 kg]	110 feet	60

NOTICE

For more complete information on the application, proper use, maintenance and warranties for this product, please go to www.epicfan.com



COLOSSUS INDUSTRIAL HVLS FAN

PRODUCT SPECIFICATIONS

HIGH VOLUME LOW SPEED FAN

Fan Size / Impeller Diameter	Calculated % of Max CFM	CFM *Tested to ANSI/AMCA Standard 230-15 HVLS*	Fan RPM	Input Power	Voltage / Phase / Frequency		Input Power W	Direction of Operation (Forward / Reverse)	Stand By Power	Integrated Efficiency (CFM / Watt) Overall Rating = 61.36
					Phase / Frequency	Input Power W				
8'	100%	40,089	198	480 V / 3 PHASE	480 / 3 / 60	866	FORWARD	11.1 W	46.26	
8'	80%	32,116	158	480 V / 3 PHASE	480 / 3 / 60	533	FORWARD	11.1 W	60.19	
8'	60%	24,746	119	480 V / 3 PHASE	480 / 3 / 60	324	FORWARD	11.1 W	76.36	
8'	40%	17,417	80	480 V / 3 PHASE	480 / 3 / 60	195	FORWARD	11.1 W	88.99	
8'	20%	11,514	39	480 V / 3 PHASE	480 / 3 / 60	120	FORWARD	11.1 W	95.61	

Fan Size / Impeller Diameter	Calculated % of Max CFM	CFM *Tested to ANSI/AMCA Standard 230-15 HVLS*	Fan RPM	Input Power	Voltage / Phase / Frequency		Input Power W	Direction of Operation (Forward / Reverse)	Stand By Power	Integrated Efficiency (CFM / Watt) Overall Rating = 91.48
					Phase / Frequency	Input Power W				
10'	100%	58,763	153	480 V / 3 PHASE	480 / 3 / 60	923	FORWARD	10 W	63.65	
10'	81%	48,132	124	480 V / 3 PHASE	480 / 3 / 60	573	FORWARD	10 W	83.91	
10'	61%	38,315	94	480 V / 3 PHASE	480 / 3 / 60	350	FORWARD	10 W	109.22	
10'	39%	24,164	59	480 V / 3 PHASE	480 / 3 / 60	170	FORWARD	10 W	141.53	
10'	19%	26,286	29	480 V / 3 PHASE	480 / 3 / 60	110	FORWARD	10 W	237.84	

Fan Size / Impeller Diameter	Calculated % of Max CFM	CFM *Tested to ANSI/AMCA Standard 230-15 HVLS*	Fan RPM	Input Power	Voltage / Phase / Frequency		Input Power W	Direction of Operation (Forward / Reverse)	Stand By Power	Integrated Efficiency (CFM / Watt) Overall Rating = 112.13
					Phase / Frequency	Input Power W				
12'	100%	81,357	124	480 V / 3 PHASE	480 / 3 / 60	1,002	FORWARD	10.37 W	81.13	
12'	81%	65,169	100	480 V / 3 PHASE	480 / 3 / 60	606	FORWARD	10.37 W	107.41	
12'	59%	48,371	73	480 V / 3 PHASE	480 / 3 / 60	331	FORWARD	10.37 W	145.91	
12'	40%	33,803	50	480 V / 3 PHASE	480 / 3 / 60	194	FORWARD	10.37 W	173.97	
12'	19%	24,326	24	480 V / 3 PHASE	480 / 3 / 60	110	FORWARD	10.37 W	219.53	

Fan Size / Impeller Diameter	Calculated % of Max CFM	CFM *Tested to ANSI/AMCA Standard 230-15 HVLS*	Fan RPM	Input Power	Voltage / Phase / Frequency		Input Power W	Direction of Operation (Forward / Reverse)	Stand By Power	Integrated Efficiency (CFM / Watt) Overall Rating = 132.36
					Phase / Frequency	Input Power W				
14'	100%	106,317	106	480 V / 3 PHASE	480 / 3 / 60	1,138	FORWARD	10.4 W	93.40	
14'	81%	86,853	86	480 V / 3 PHASE	480 / 3 / 60	693	FORWARD	10.4 W	125.30	
14'	60%	67,667	64	480 V / 3 PHASE	480 / 3 / 60	398	FORWARD	10.4 W	169.84	
14'	41%	45,112	43	480 V / 3 PHASE	480 / 3 / 60	196	FORWARD	10.4 W	229.93	
14'	21%	31,414	22	480 V / 3 PHASE	480 / 3 / 60	112	FORWARD	10.4 W	279.57	

Fan Size / Impeller Diameter	Calculated % of Max CFM	CFM *Tested to ANSI/AMCA Standard 230-15 HVLS*	Fan RPM	Input Power	Voltage / Phase / Frequency		Input Power W	Direction of Operation (Forward / Reverse)	Stand By Power	Integrated Efficiency (CFM / Watt) Overall Rating = 159.25
					Phase / Frequency	Input Power W				
16'	100%	133,147	91	480 V / 3 PHASE	480 / 3 / 60	1,197	FORWARD	10 W	111.17	
16'	81%	107,690	74	480 V / 3 PHASE	480 / 3 / 60	710	FORWARD	10 W	151.49	
16'	60%	80,349	55	480 V / 3 PHASE	480 / 3 / 60	371	FORWARD	10 W	216.50	
16'	40%	53,646	36	480 V / 3 PHASE	480 / 3 / 60	191	FORWARD	10 W	279.72	
16'	20%	39,184	18	480 V / 3 PHASE	480 / 3 / 60	118	FORWARD	10 W	331.07	

Fan Size / Impeller Diameter	Calculated % of Max CFM	CFM *Tested to ANSI/AMCA Standard 230-15 HVLS*	Fan RPM	Input Power	Voltage / Phase / Frequency		Input Power W	Direction of Operation (Forward / Reverse)	Stand By Power	Integrated Efficiency (CFM / Watt) Overall Rating = 182.02
					Phase / Frequency	Input Power W				
18'	100%	159,767	81	480 V / 3 PHASE	480 / 3 / 60	1,252	FORWARD	11.1 W	127.61	
18'	80%	129,904	65	480 V / 3 PHASE	480 / 3 / 60	746	FORWARD	11.1 W	173.92	
18'	59%	94,231	48	480 V / 3 PHASE	480 / 3 / 60	363	FORWARD	11.1 W	259.27	
18'	40%	64,605	32	480 V / 3 PHASE	480 / 3 / 60	197	FORWARD	11.1 W	326.75	
18'	21%	40,156	17	480 V / 3 PHASE	480 / 3 / 60	113	FORWARD	11.1 W	353.58	

Fan Size / Impeller Diameter	Calculated % of Max CFM	CFM *Tested to ANSI/AMCA Standard 230-15 HVLS*	Fan RPM	Input Power	Voltage / Phase / Frequency		Input Power W	Direction of Operation (Forward / Reverse)	Stand By Power	Integrated Efficiency (CFM / Watt) Overall Rating = 204.03
					Phase / Frequency	Input Power W				
20'	100%	189,582	72	480 V / 3 PHASE	480 / 3 / 60	1,311	FORWARD	8 W	144.56	
20'	81%	150,935	58	480 V / 3 PHASE	480 / 3 / 60	742	FORWARD	8 W	203.23	
20'	60%	110,824	43	480 V / 3 PHASE	480 / 3 / 60	366	FORWARD	8 W	302.72	
20'	40%	67,489	29	480 V / 3 PHASE	480 / 3 / 60	171	FORWARD	8 W	392.97	
20'	19%	30,919	14	480 V / 3 PHASE	480 / 3 / 60	94	FORWARD	8 W	326.95	

Fan Size / Impeller Diameter	Calculated % of Max CFM	CFM *Tested to ANSI/AMCA Standard 230-15 HVLS*	Fan RPM	Input Power	Voltage / Phase / Frequency		Input Power W	Direction of Operation (Forward / Reverse)	Stand By Power	Integrated Efficiency (CFM / Watt) Overall Rating = 234.35
					Phase / Frequency	Input Power W				
24'	100%	251,845	60	480 V / 3 PHASE	480 / 3 / 60	1,515	FORWARD	12 W	166.23	
24'	80%	196,949	48	480 V / 3 PHASE	480 / 3 / 60	838	FORWARD	12 W	234.84	
24'	60%	145,306	36	480 V / 3 PHASE	480 / 3 / 60	423	FORWARD	12 W	342.87	
24'	40%	88,852	24	480 V / 3 PHASE	480 / 3 / 60	193	FORWARD	12 W	458.38	
24'	20%	41,966	12	480 V / 3 PHASE	480 / 3 / 60	110	FORWARD	12 W	381.23	



Entrematic certifies that the industrial model 8'-24' shown herein is licensed to bear the AMCA seal. The ratings shown are based on the tests and procedures performed in a accordance with AMCA Publication 211 and comply with the requirements of the AMCA Certified Ratings Program.

AMCA Certified ratings seal applies at free delivery only. Performance ratings do not include the effects of appurtenances (accessories).



E506041

EPS-CIHVLS-0420