



(12) **United States Design Patent**
Diekfuss et al.

(10) **Patent No.:** **US D919,169 S**
(45) **Date of Patent:** **** May 11, 2021**

- (54) **MAST ARM CONNECTOR**
- (71) Applicant: **P4 Infrastructure, Inc.**, Milwaukee, WI (US)
- (72) Inventors: **Joseph A. Diekfuss**, Waukesha, WI (US); **Christopher M. Foley**, Milwaukee, WI (US)
- (73) Assignee: **P4 Infrastructure, Inc.**, Milwaukee, WI (US)

D555,825	S	*	11/2007	Lecluze	D26/138
D604,454	S	*	11/2009	Majidi	D26/142
D604,896	S	*	11/2009	Chen	D26/142
D689,218	S	*	9/2013	Maxik	D26/2
D739,569	S	*	9/2015	Shum	D26/2
D739,570	S	*	9/2015	Shum	D26/2
D764,097	S	*	8/2016	Hamel	D26/128
D811,001	S	*	2/2018	Fitzwater, II	D26/142
10,240,764	B2	*	3/2019	Morales	F21S 8/026
10,247,371	B2	*	4/2019	Feldman	F21V 17/162
D880,763	S	*	4/2020	McNamara	D26/138
2008/0112170	A1	*	5/2008	Trott	F21V 29/74 362/311.06

(**) Term: **15 Years**

* cited by examiner

(21) Appl. No.: **29/666,016**

Primary Examiner — Michael C Stout

(22) Filed: **Oct. 9, 2018**

Assistant Examiner — Benjamin M Weeks

(51) **LOC (13) Cl.** **26-05**

(74) *Attorney, Agent, or Firm* — Reinhart Boerner Van Deuren s.c.

(52) **U.S. Cl.** **D26/142**

(58) **Field of Classification Search**
USPC **D26/142**
USPC D26/2, 28, 72, 89, 113, 118, 119, 120,
D26/122, 142

(57) **CLAIM**

We claim the ornamental design for mast arm connector, as shown and described.

CPC F41C 27/00; F41C 33/0254; G02B 5/045;
G02B 5/189; F21S 8/00; F21S 8/03;
F21S 8/026; F21S 8/02; F21S 8/003;
F21S 8/043; F21S 8/06; F21S 8/04; F21V
7/005; F21V 15/01; F21V 15/04; F21V
25/00; G02F 2001/133607; F21Y 2103/00
See application file for complete search history.

DESCRIPTION

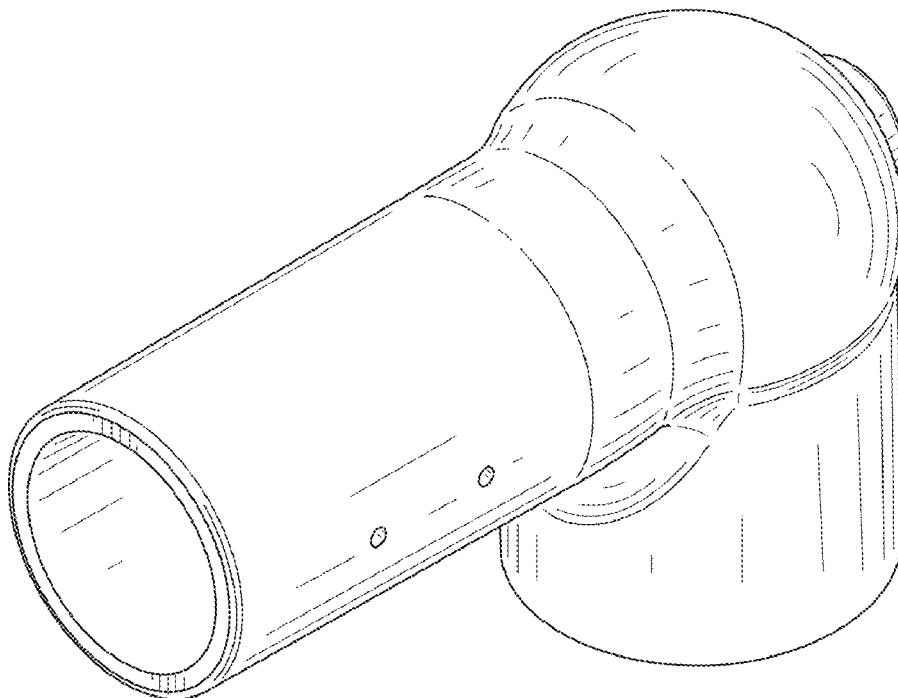
FIG. 1 is a prospective view of a mast arm connector;
FIG. 2 is another perspective view thereof;
FIG. 3 is a top view thereof;
FIG. 4 is a bottom view thereof;
FIG. 5 is a front view thereof;
FIG. 6 is a rear view thereof;
FIG. 7 is a side view thereof; and,
FIG. 8 is another side view thereof depicting the side opposite the side shown in FIG. 7.

(56) **References Cited**

U.S. PATENT DOCUMENTS

D548,389	S	*	8/2007	Lecluze	D26/138
D548,390	S	*	8/2007	Lecluze	D26/138

1 Claim, 8 Drawing Sheets



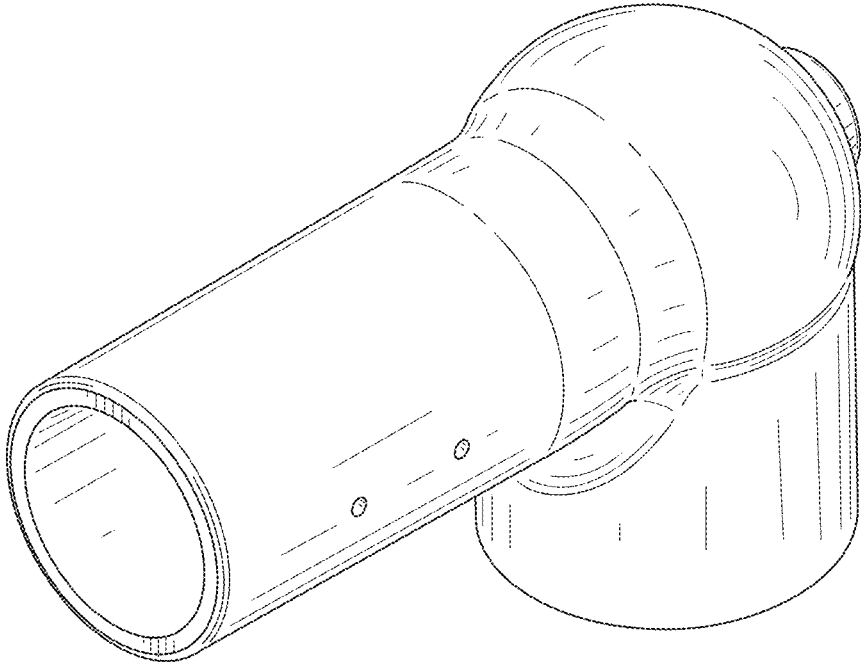


FIG. 1

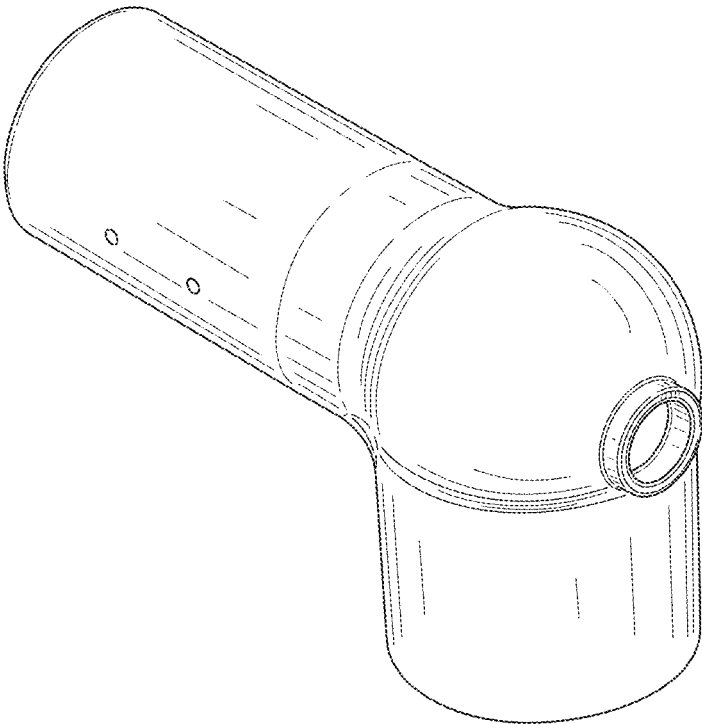


FIG. 2

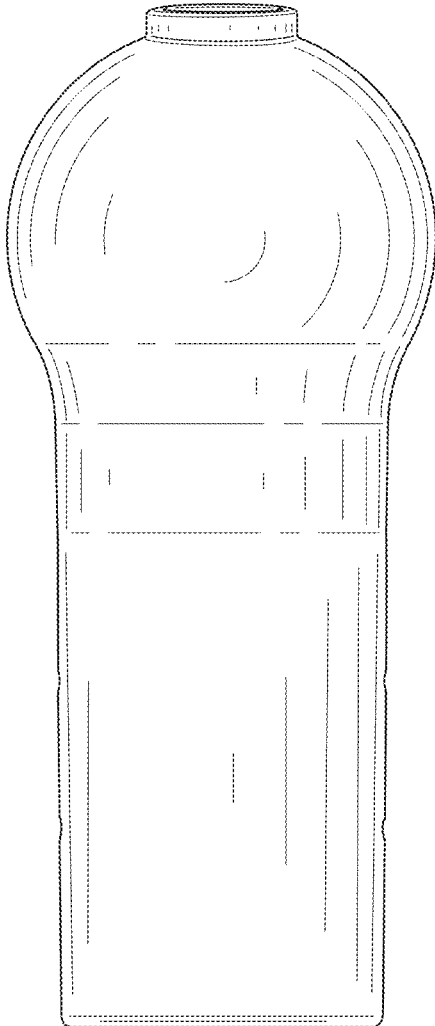


FIG. 3

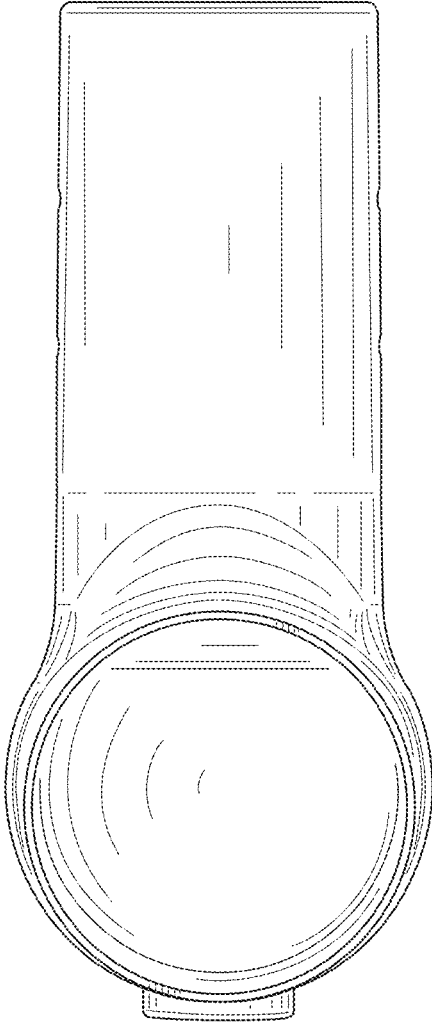


FIG. 4

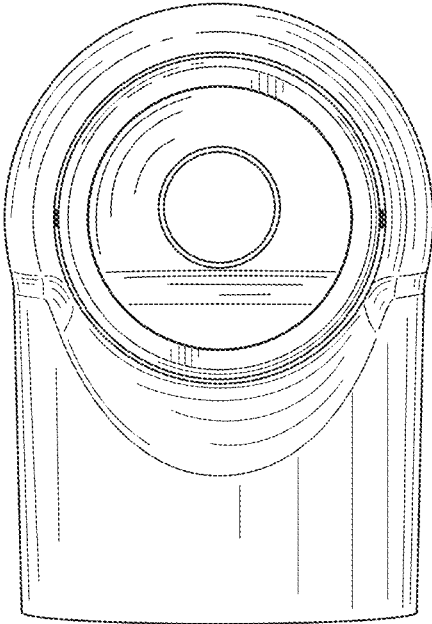


FIG. 5

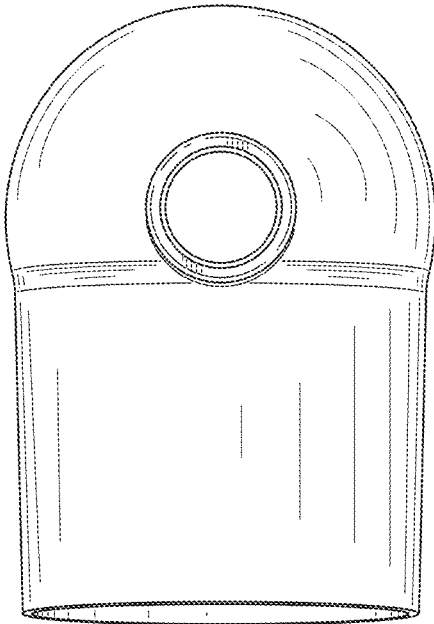


FIG. 6

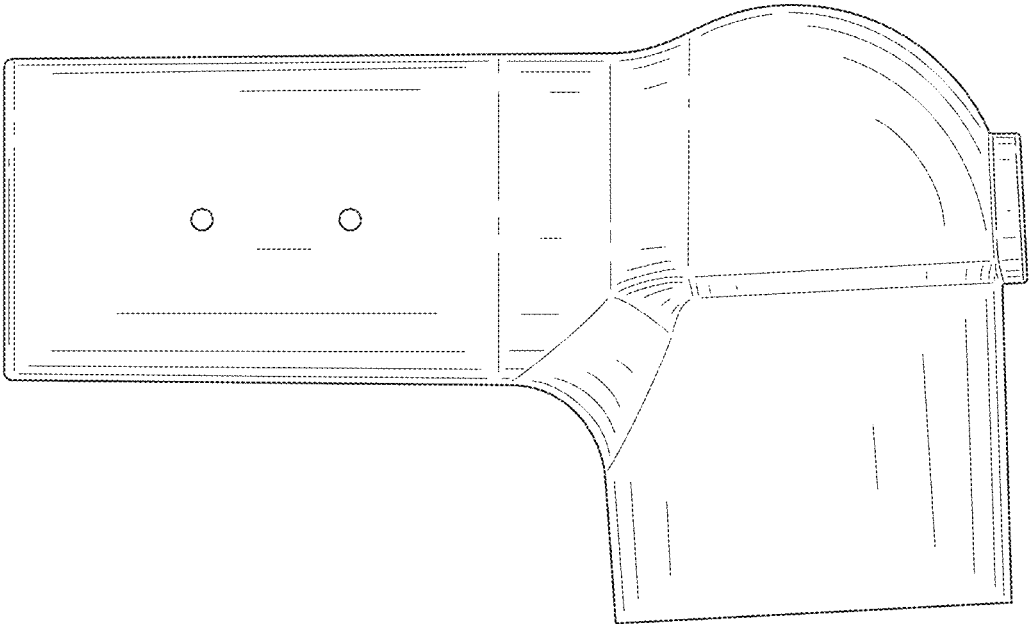


FIG. 7

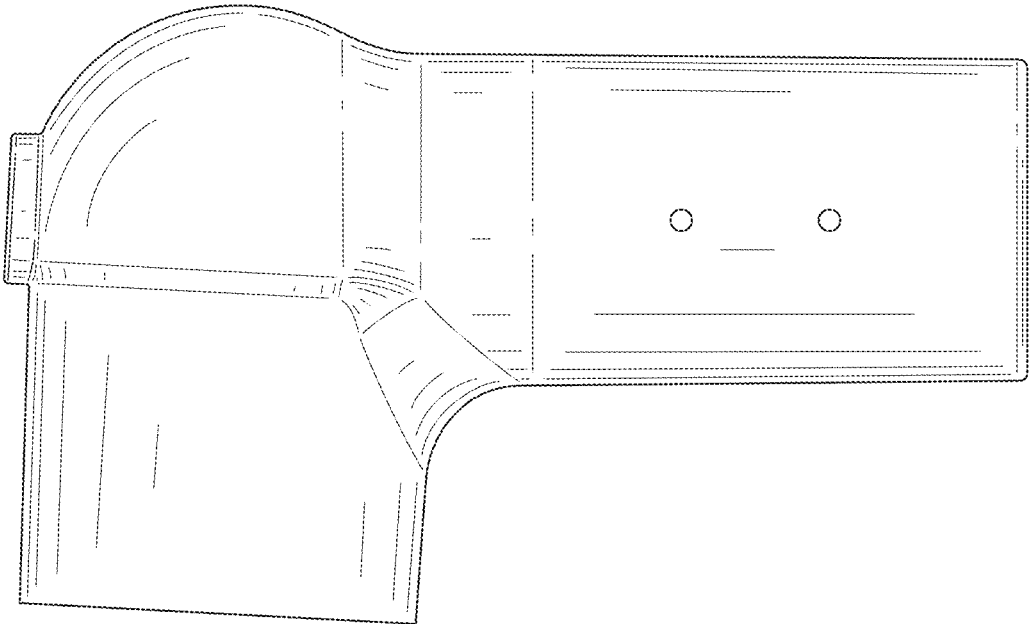


FIG. 8