

(12) **United States Design Patent** (10) **Patent No.:** **US D887,026 S**  
**Foley** (45) **Date of Patent:** **\*\* Jun. 9, 2020**

(54) **MAST BASE CONNECTOR**

FOREIGN PATENT DOCUMENTS

(71) Applicant: **P4 Infrastructure, Inc.**, Milwaukee, WI (US)  
 (72) Inventor: **Christopher M. Foley**, Milwaukee, WI (US)  
 (73) Assignee: **P4 Infrastructure, Inc.**, Milwaukee, WI (US)  
 (\*\*) Term: **15 Years**

EP 1617015 B1 9/2009  
*Primary Examiner* — Samantha Q Lawrence  
*(74) Attorney, Agent, or Firm* — Reinhart Boerner Van Deuren s.c.

(57) **CLAIM**

I claim the ornamental design for a mast base connector, as shown and described.

**DESCRIPTION**

(21) Appl. No.: **29/643,840**  
 (22) Filed: **Apr. 12, 2018**  
 (51) **LOC (12) Cl.** ..... **25-01**  
 (52) **U.S. Cl.**  
 USPC ..... **D25/133**  
 (58) **Field of Classification Search**  
 USPC ..... D25/38, 43, 125, 126, 127, 128, 129, D25/130, 131, 132, 133, 134, 135, 136, D25/38.1; D8/354; 52/169.9; 343/798; 248/156, 346.01, 346.03, 535, 903  
 CPC ... E04H 12/2261; E04H 12/08; E04H 12/085; E04H 12/2269; E01F 9/696; E04C 3/32; F16B 2200/50; F16F 15/02; Y10T 403/7117  
 See application file for complete search history.

FIG. 1 is a top front quarter perspective view of a first embodiment of a mast base connector;  
 FIG. 2 is a top rear quarter perspective view thereof;  
 FIG. 3 is a bottom rear quarter perspective view thereof;  
 FIG. 4 is a bottom front quarter perspective thereof;  
 FIG. 5 is a front view thereof;  
 FIG. 6 is a rear view thereof;  
 FIG. 7 is a right view thereof;  
 FIG. 8 is a left view thereof;  
 FIG. 9 is a top view thereof;  
 FIG. 10 is a bottom view thereof;  
 FIG. 11 is a top front quarter perspective view of a first embodiment of a mast base connector;  
 FIG. 12 is a top rear quarter perspective thereof;  
 FIG. 13 is a bottom rear quarter perspective view thereof;  
 FIG. 14 is a bottom front quarter perspective view thereof;  
 FIG. 15 is a front view thereof;  
 FIG. 16 is a rear view thereof;  
 FIG. 17 is a right view thereof;  
 FIG. 18 is a left view thereof;  
 FIG. 19 is a top view thereof; and,  
 FIG. 20 is a bottom view thereof.  
 The broken dot-dash lines shown in FIGS. 1-5, 7-9, 11, 13-15, 17 and 18 illustrate the bounds of the claim. The remaining broken lines shown in FIGS. 1-5, 7-16, and 17-20 illustrate portions of the mast base connector and form no part of the claimed design.

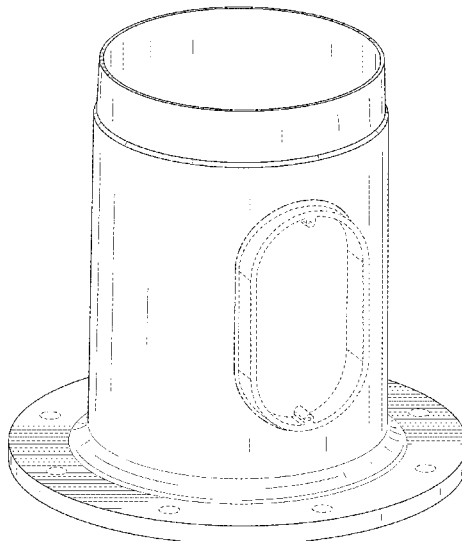
(56) **References Cited**

U.S. PATENT DOCUMENTS

3,444,512	A	5/1969	Reinitz	
3,854,685	A	12/1974	Parduhn	
3,952,978	A	4/1976	Reinitz	
4,914,258	A *	4/1990	Jackson	..... E04H 12/003 138/92
5,481,846	A	1/1996	Macchietto	
6,216,414	B1 *	4/2001	Feldberg	..... E04C 3/32 248/525

(Continued)

**1 Claim, 20 Drawing Sheets**



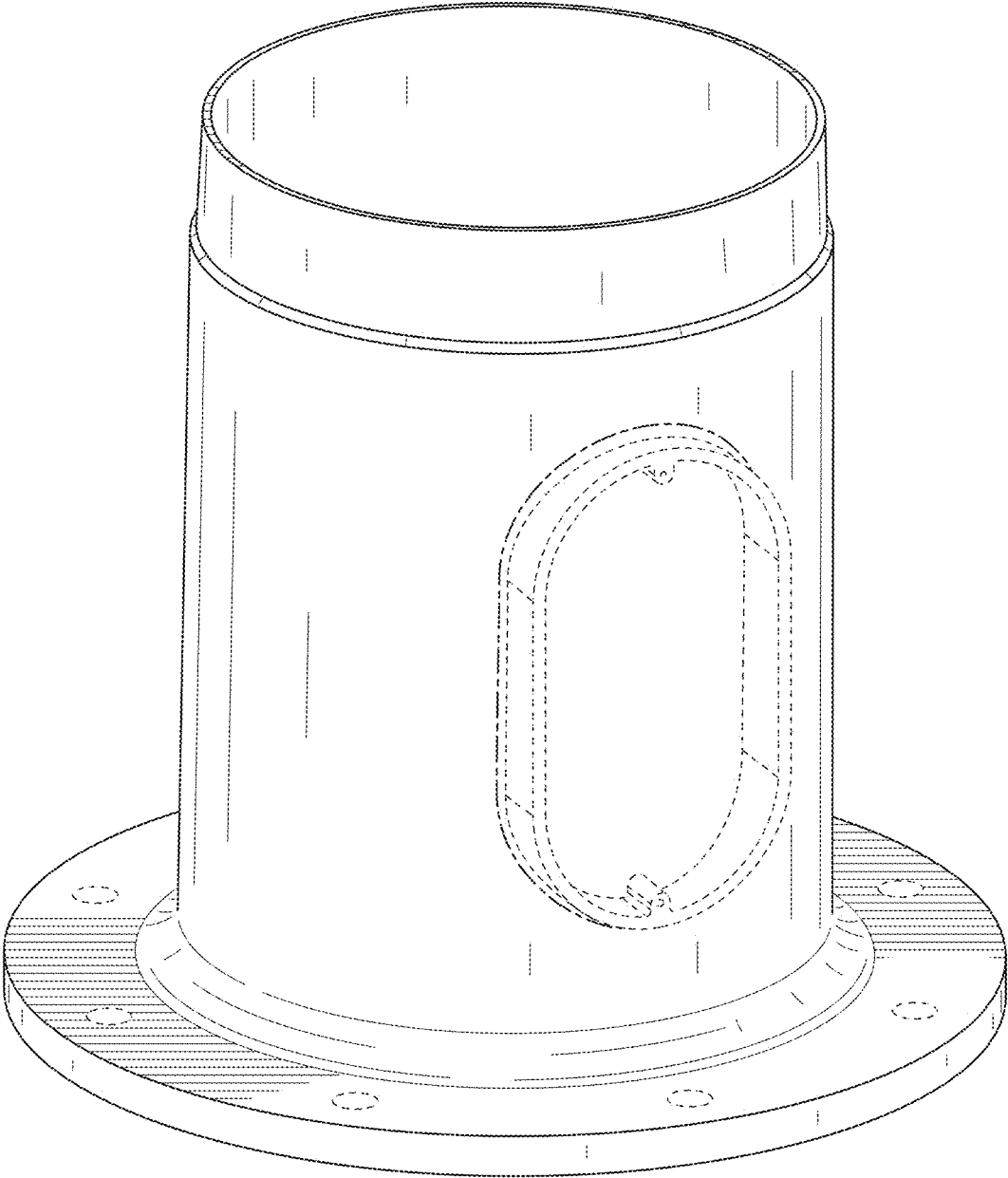
(56)

**References Cited**

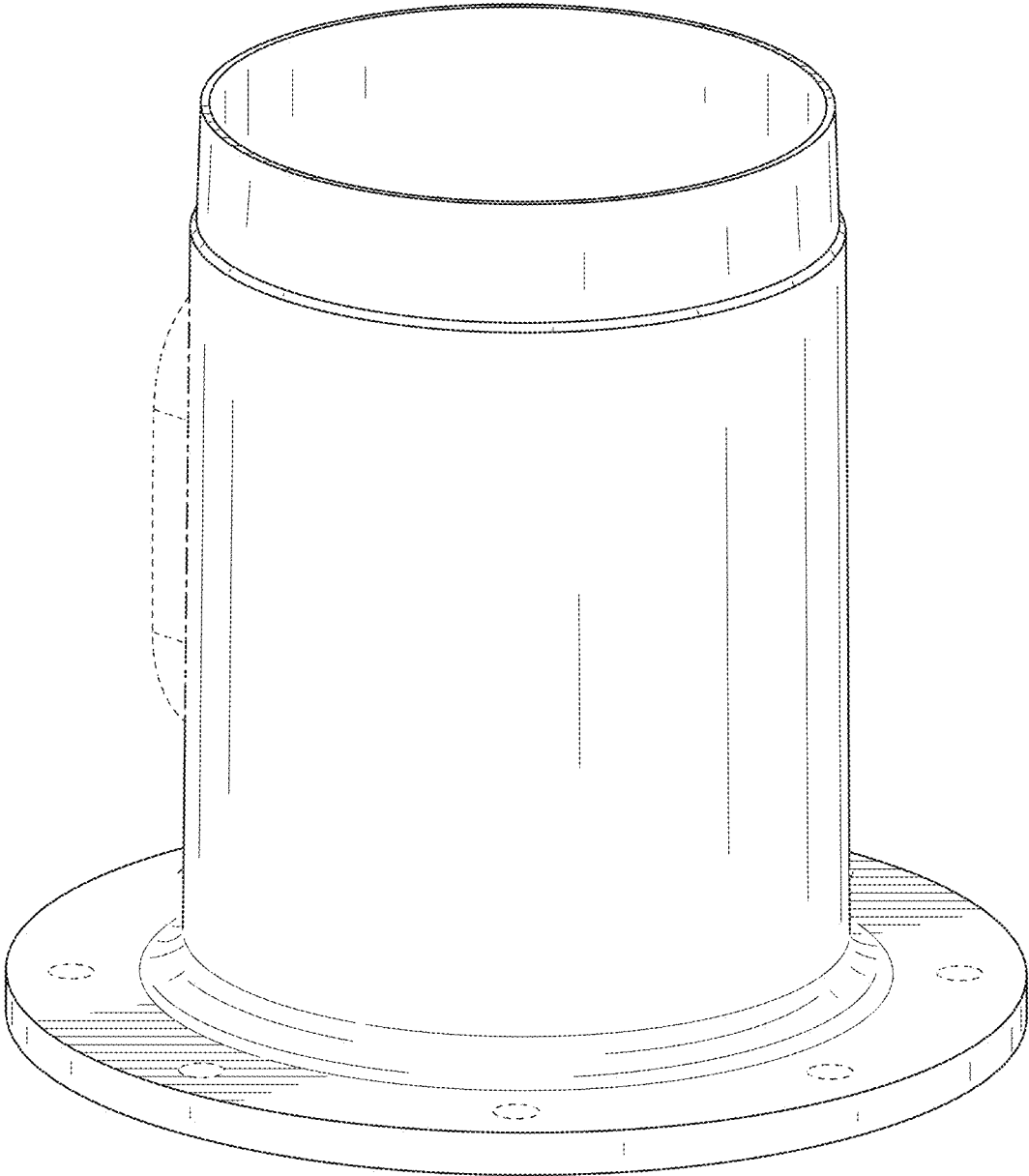
## U.S. PATENT DOCUMENTS

6,712,330 B1 \* 3/2004 Damiano ..... E04H 12/2261  
248/519  
6,820,389 B1 11/2004 Macchietto  
6,833,505 B1 \* 12/2004 Macchietto ..... H02G 3/14  
174/38  
6,857,615 B2 2/2005 Puckett et al.  
6,857,808 B1 \* 2/2005 Sugimoto ..... E04B 1/2403  
403/41  
D599,915 S \* 9/2009 Godwin ..... E04C 3/32  
D25/133  
D602,175 S \* 10/2009 Droomer ..... D25/133  
7,694,476 B2 4/2010 Cook et al.  
7,694,487 B1 \* 4/2010 Ryan ..... E04H 12/2269  
248/156  
D625,029 S \* 10/2010 Badgley ..... D25/125  
8,074,955 B2 \* 12/2011 Kumar ..... E04H 12/2261  
248/346.01  
D673,306 S \* 12/2012 Chung ..... D25/133  
D696,835 S \* 12/2013 Rogerson ..... D99/43  
8,756,874 B2 6/2014 Hurlebaus et al.  
8,757,598 B1 \* 6/2014 Jones ..... E04H 12/2276  
248/346.03  
9,343,887 B2 \* 5/2016 Butler ..... H02G 1/06  
10,193,320 B1 \* 1/2019 Milligan ..... H02G 7/20  
2006/0232490 A1 \* 10/2006 Bisiules ..... H01Q 1/246  
343/797  
2012/0240498 A1 9/2012 Hurlebaus et al.  
2019/0236944 A1 \* 8/2019 Diekfuss ..... G08G 1/095

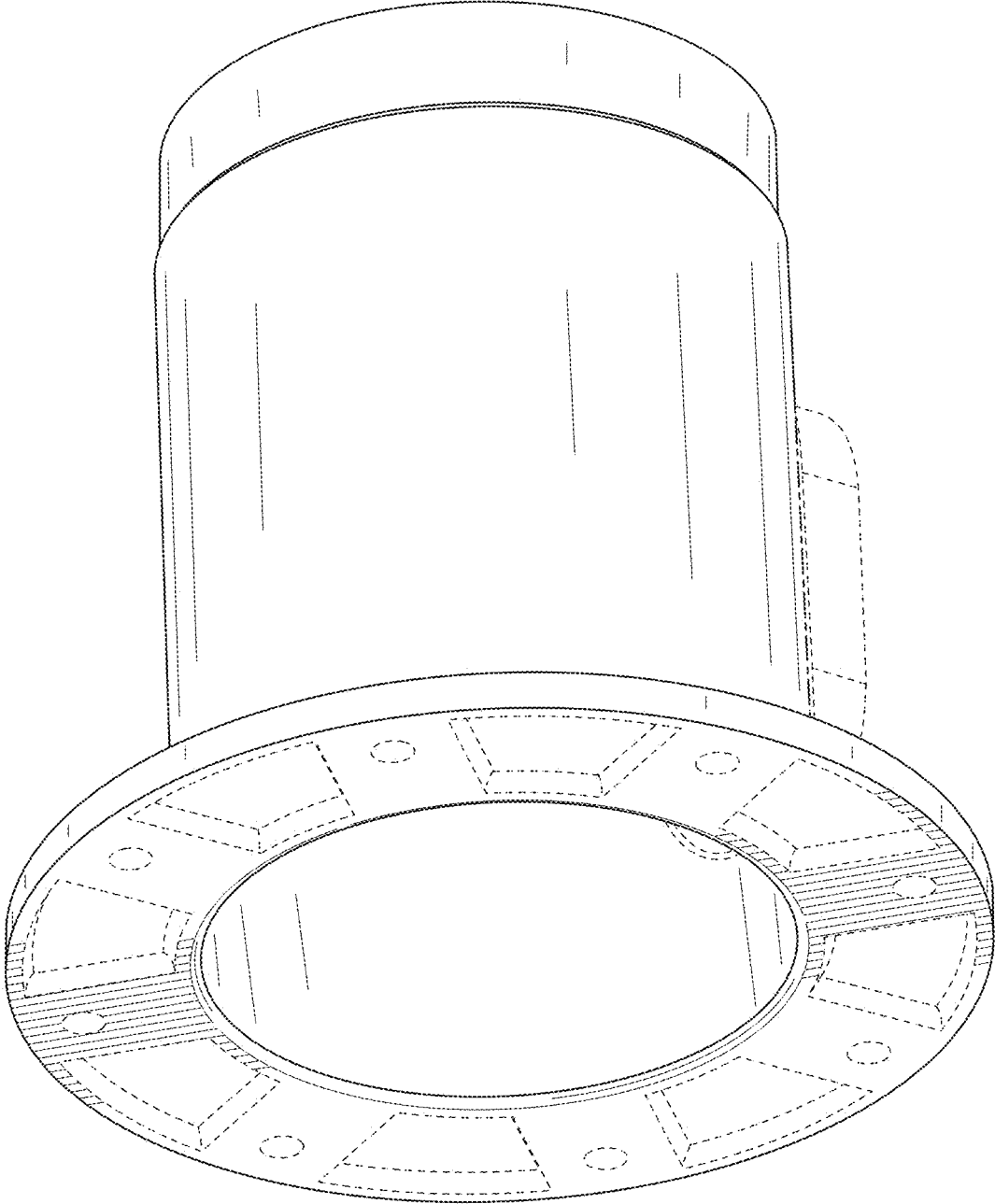
\* cited by examiner



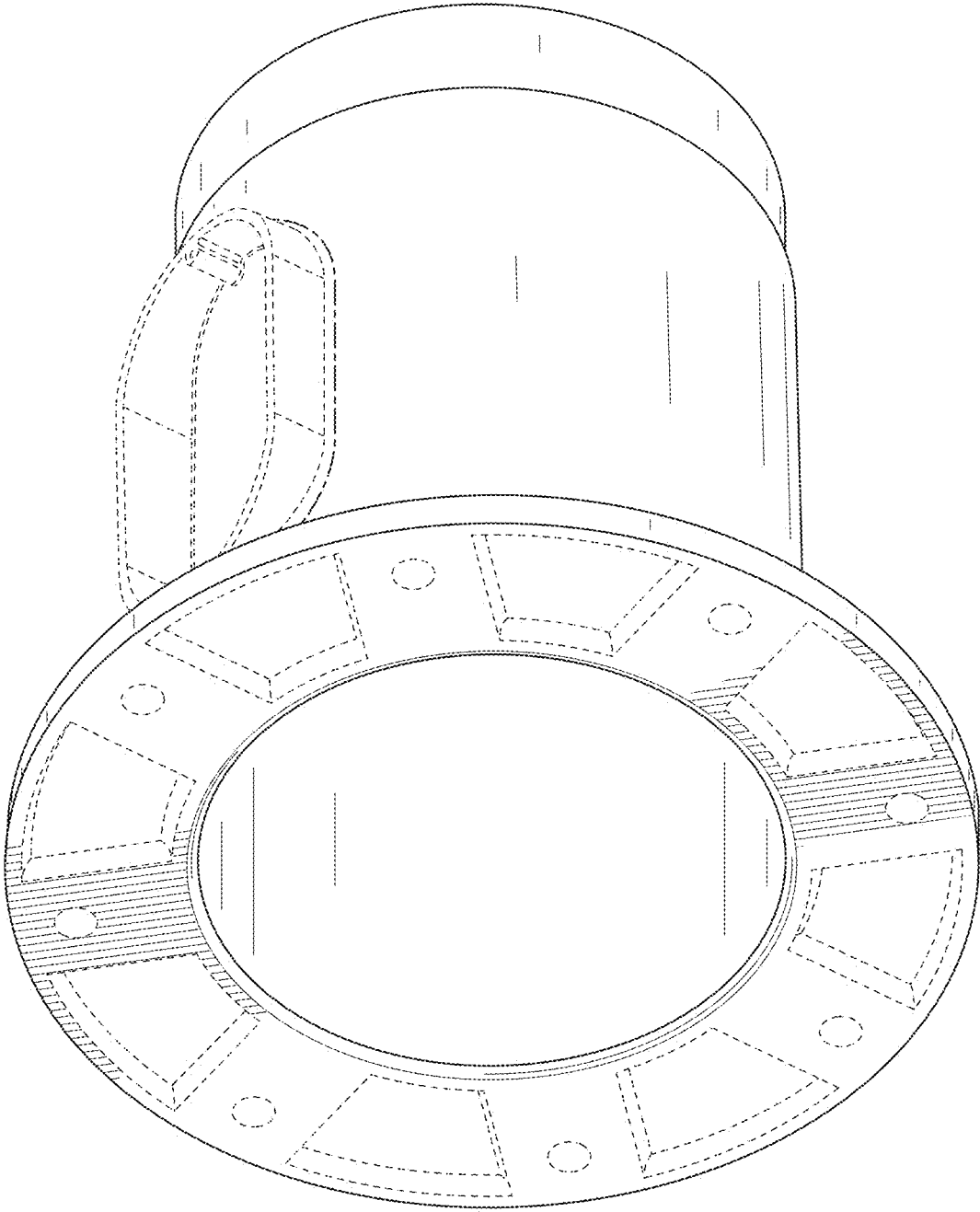
**FIG. 1**



**FIG. 2**



**FIG. 3**



**FIG. 4**

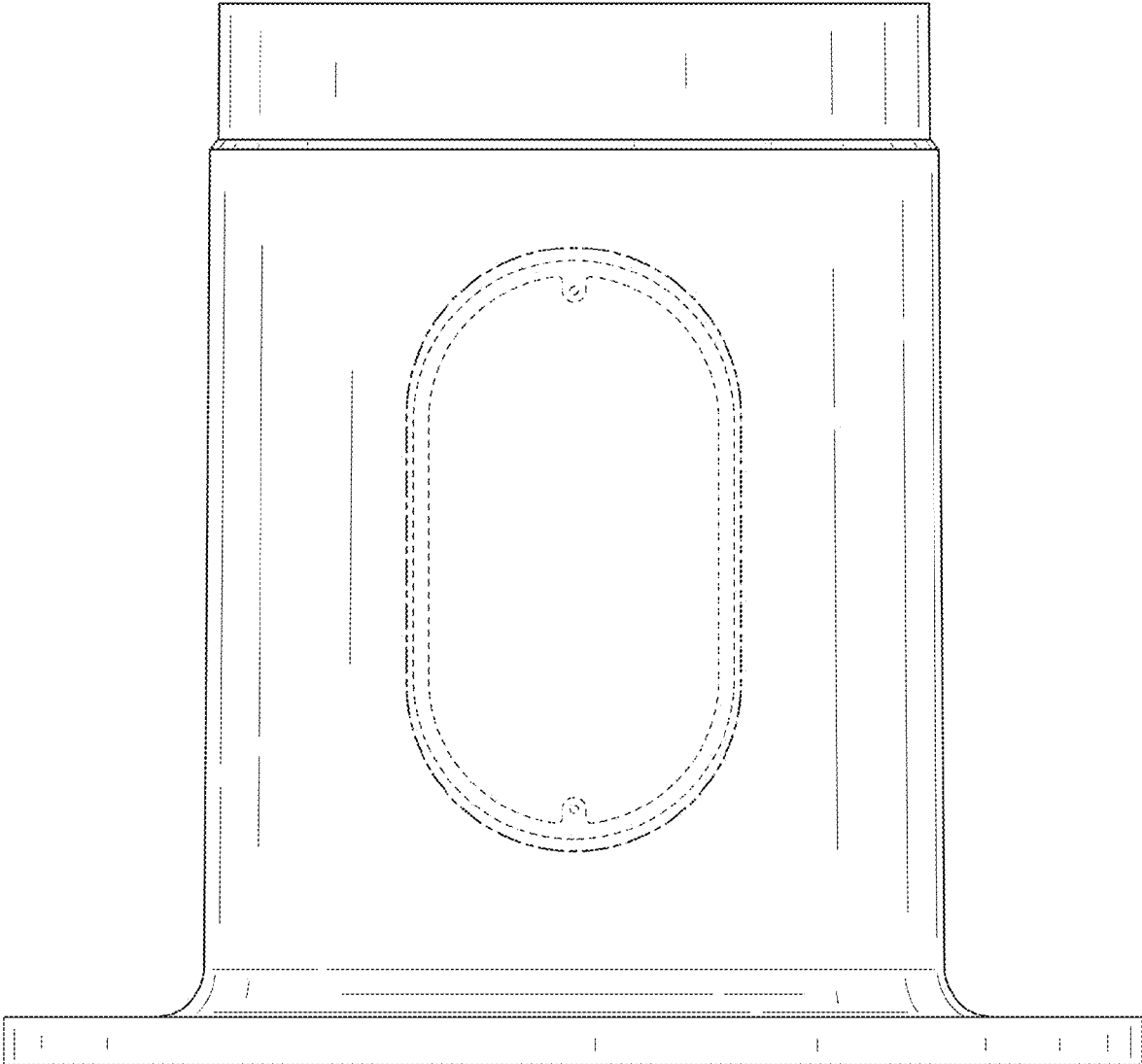
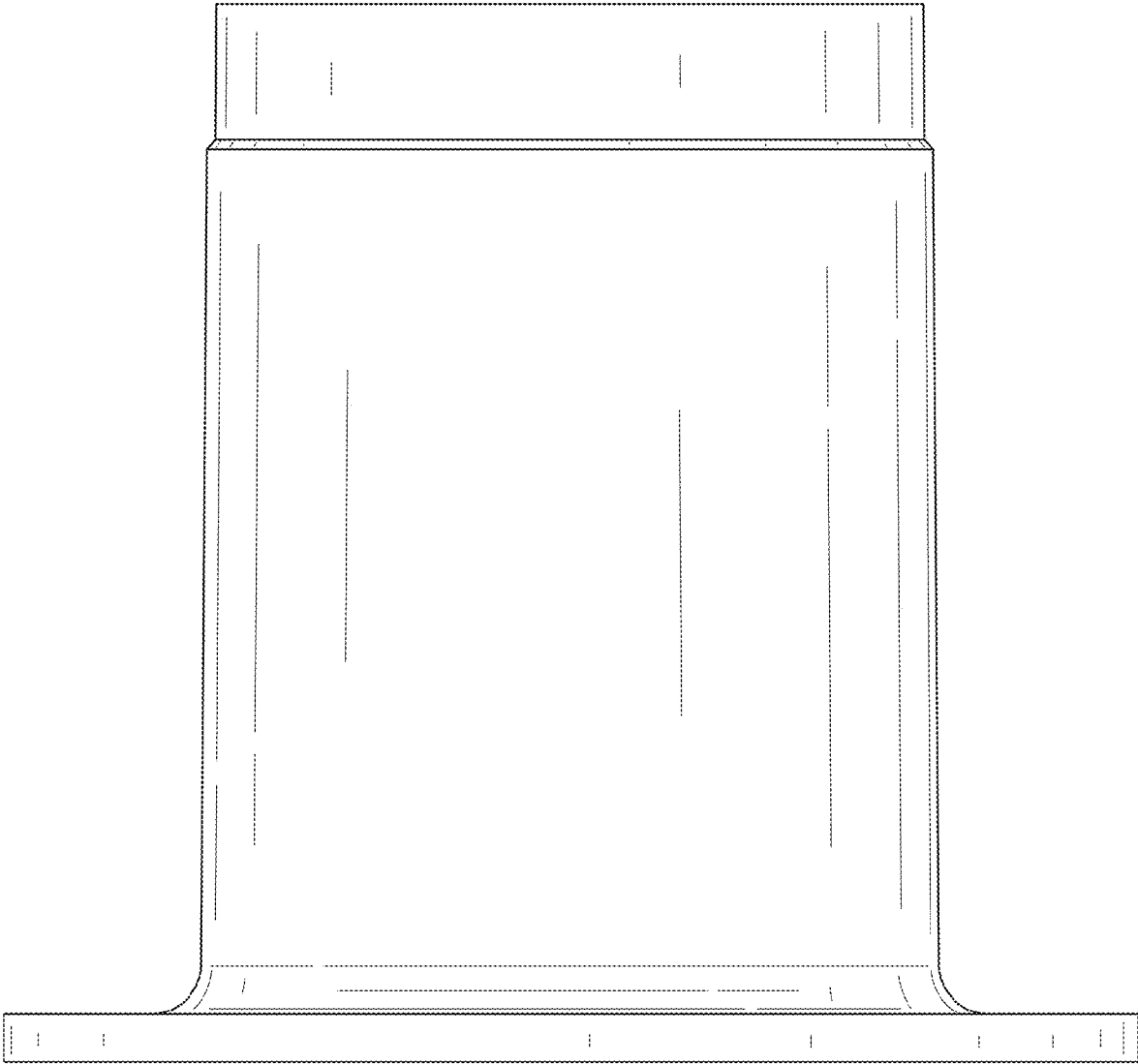


FIG. 5



**FIG. 6**



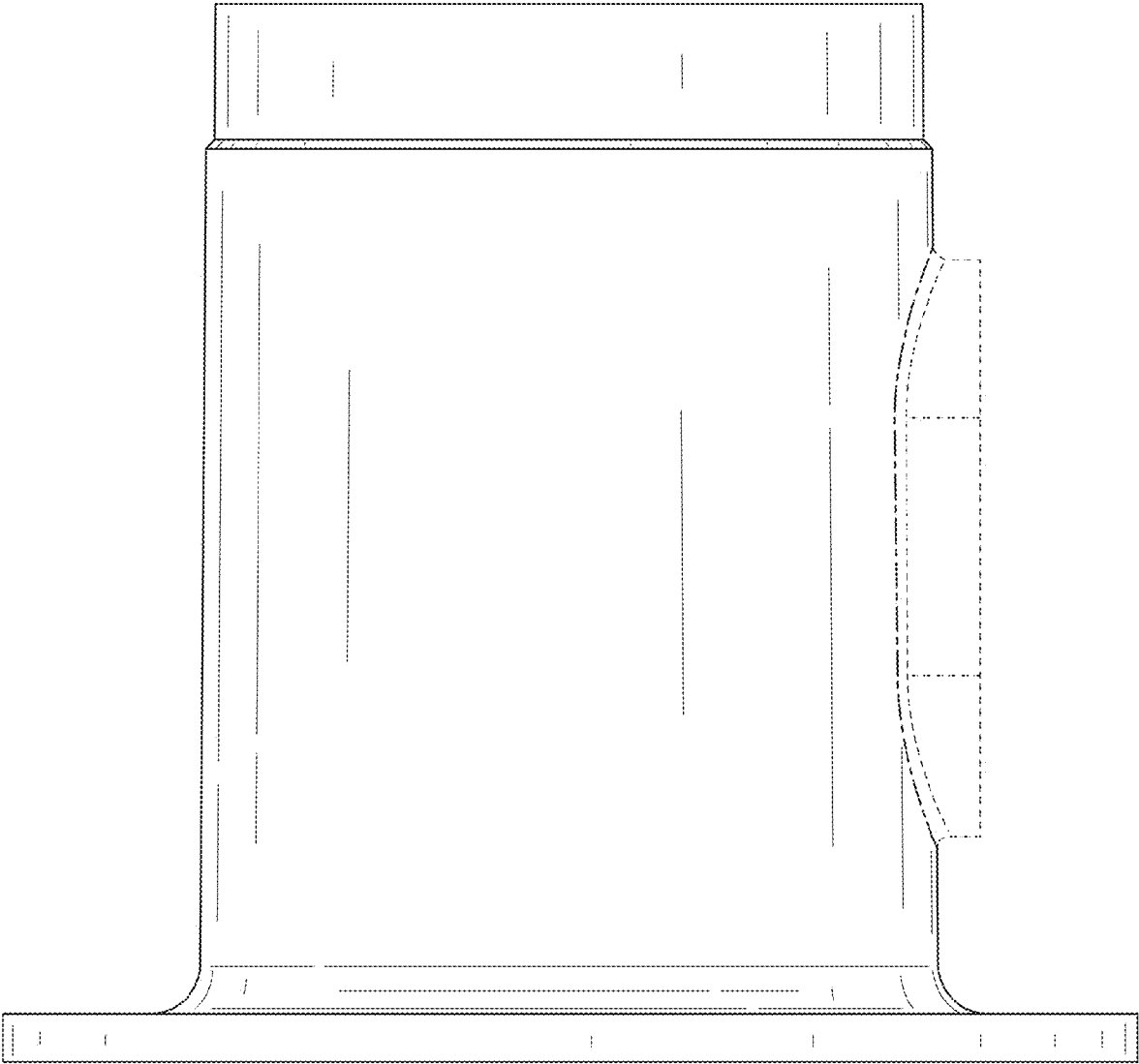


FIG. 7

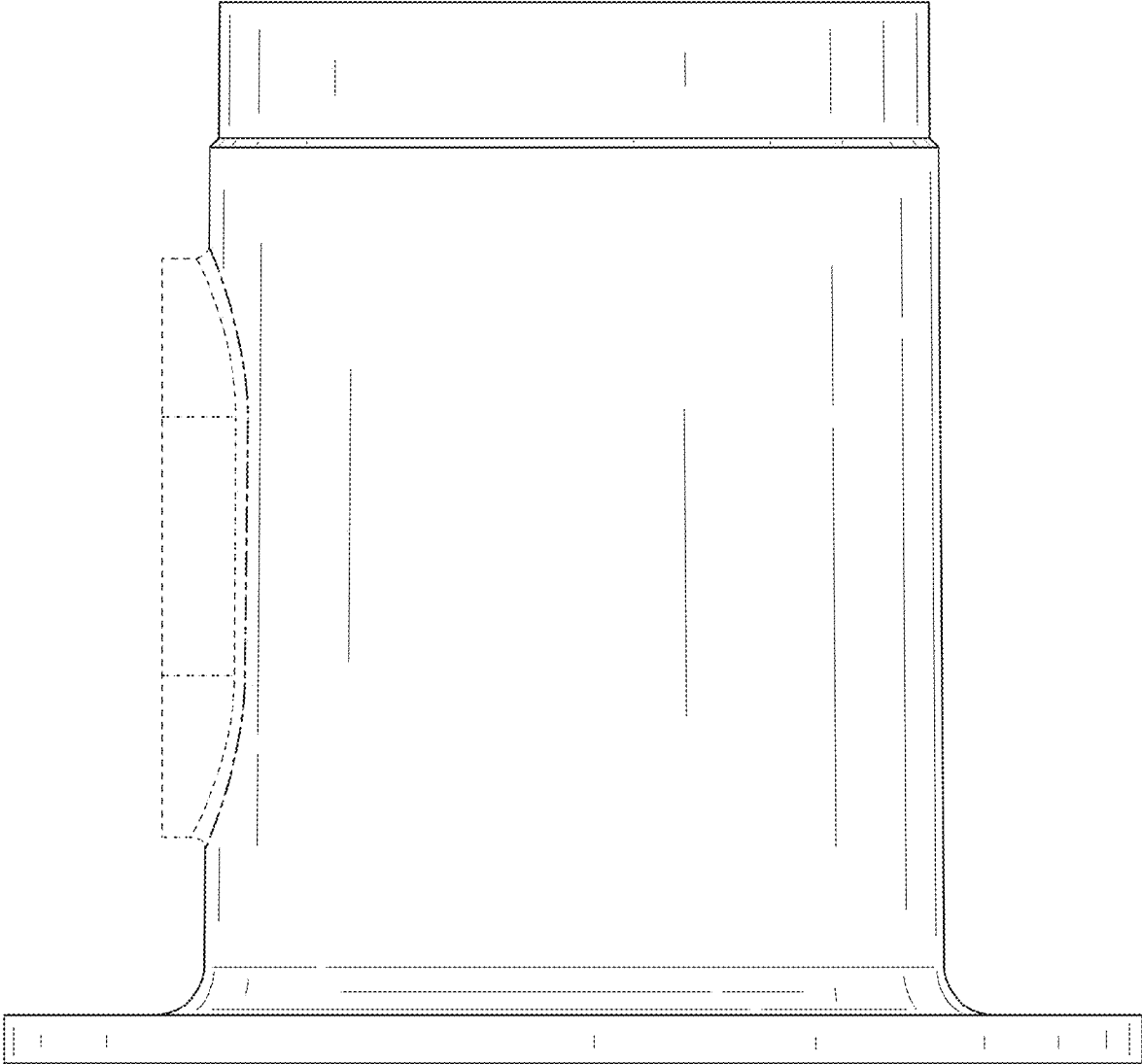


FIG. 8

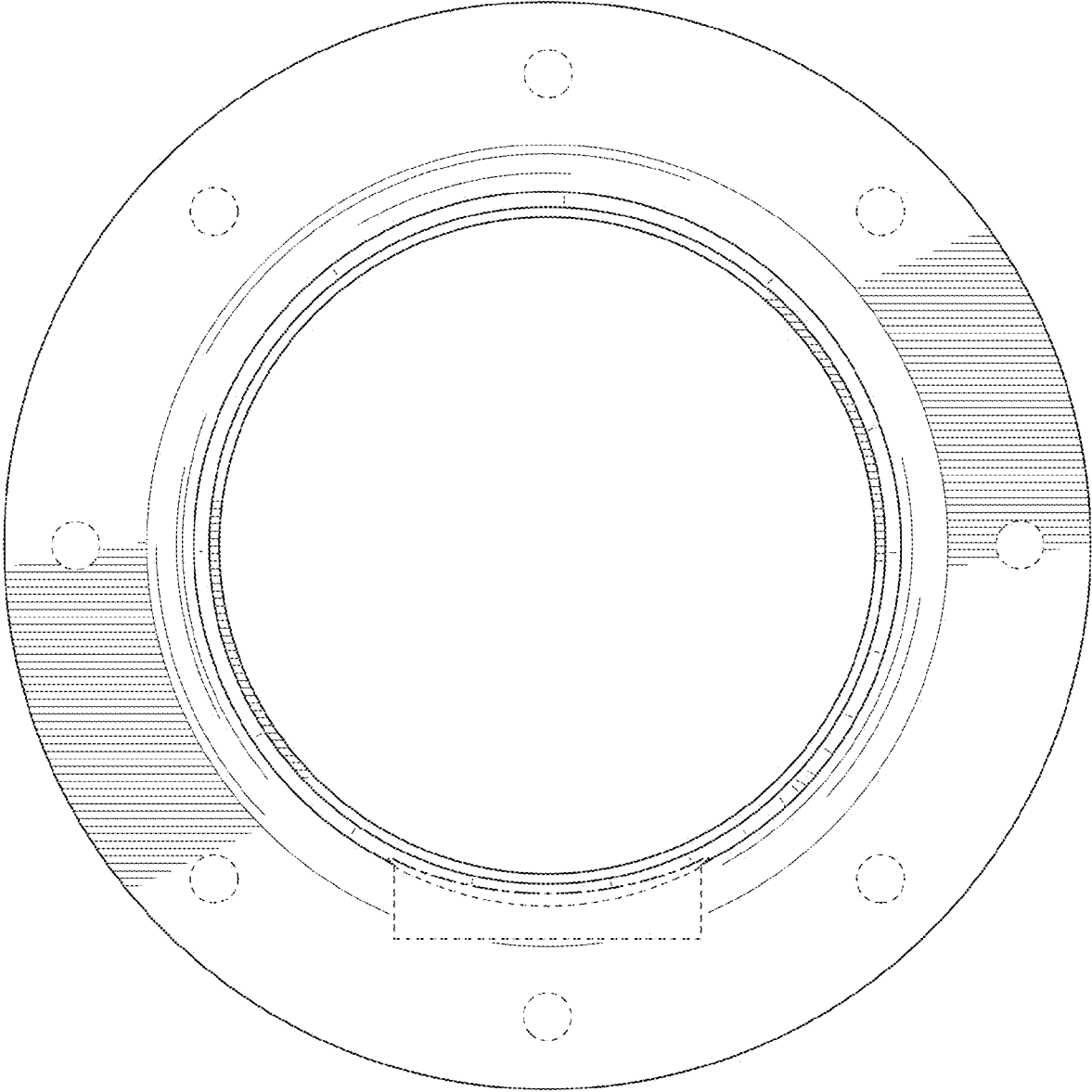
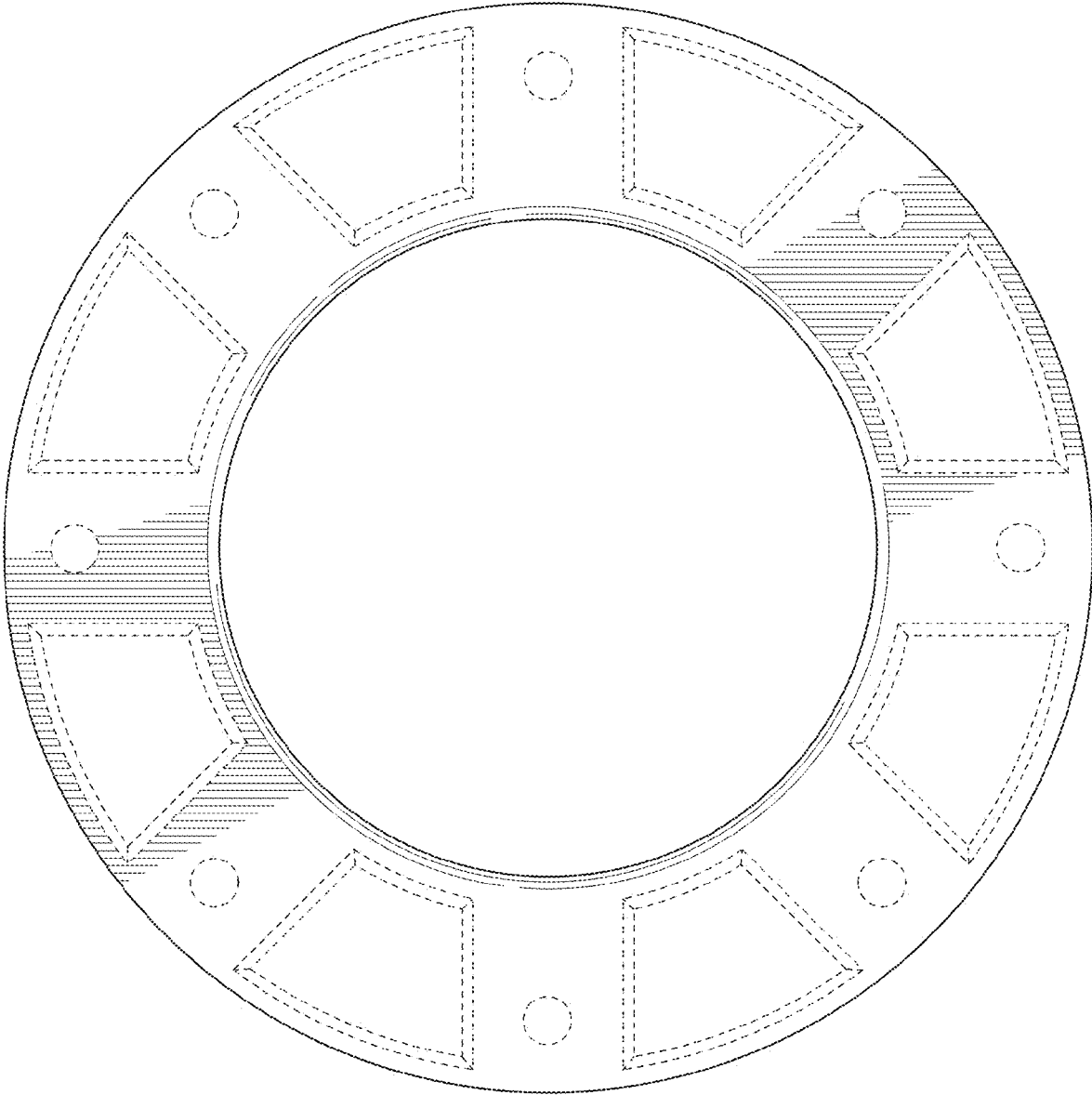
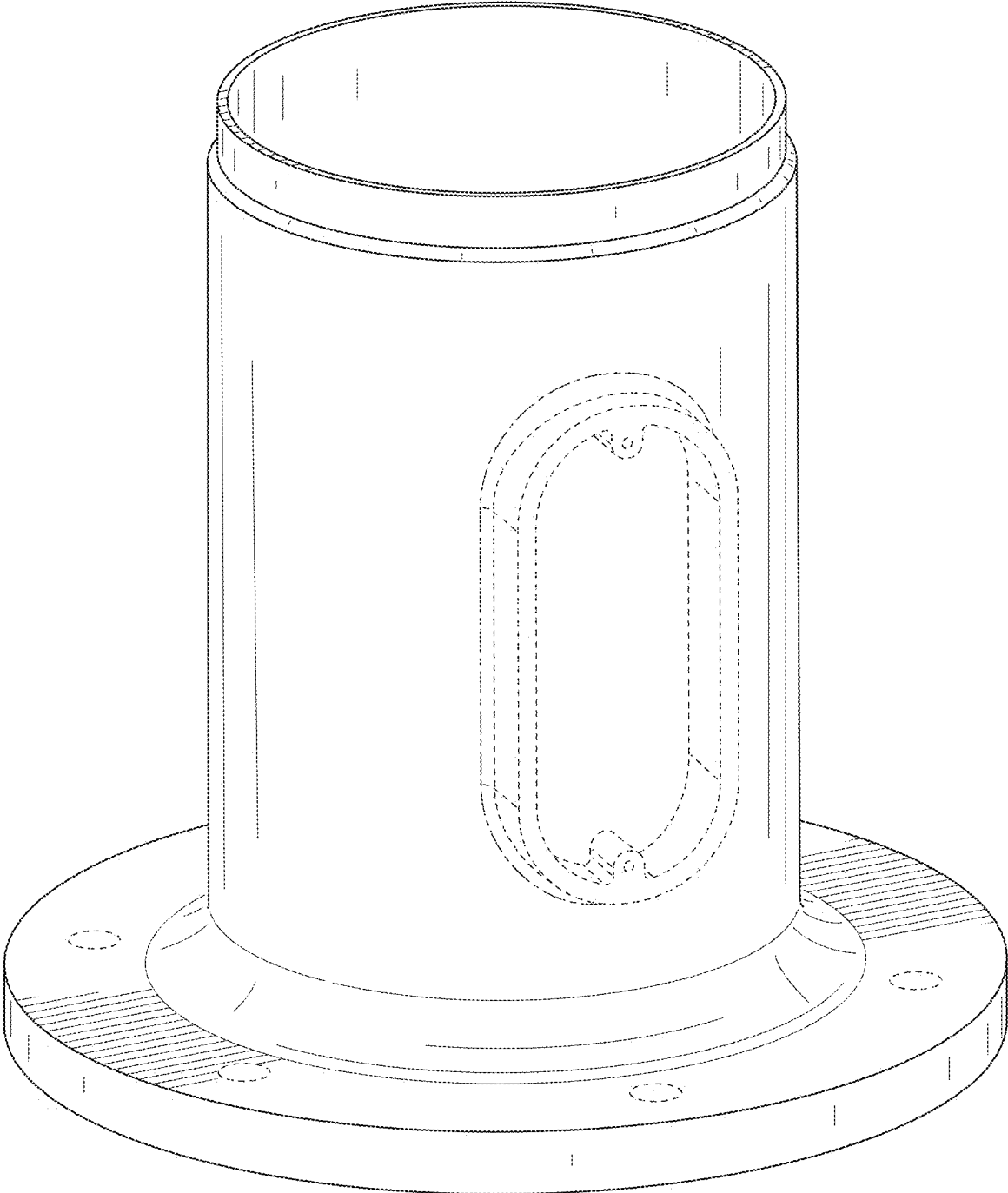


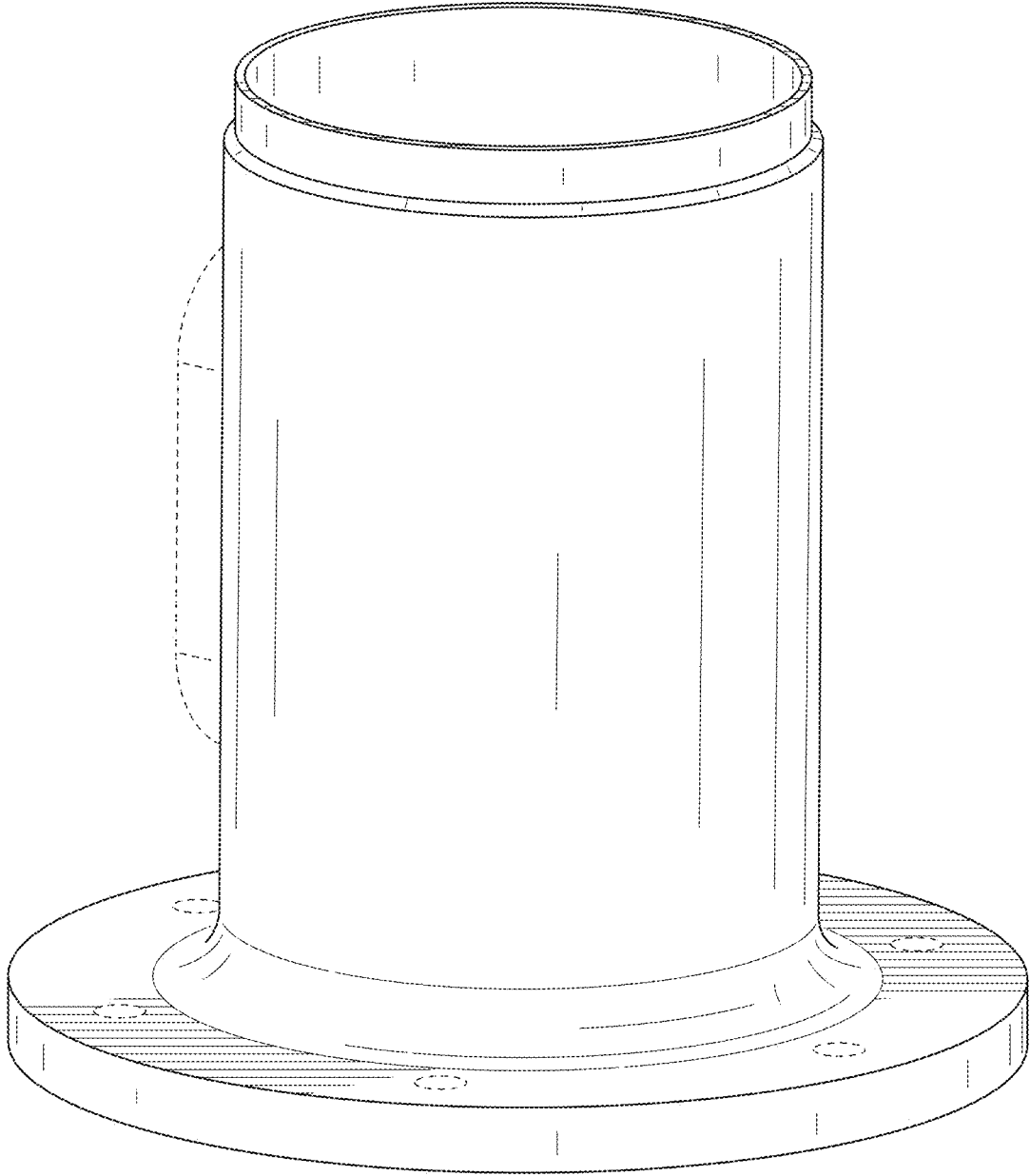
FIG. 9



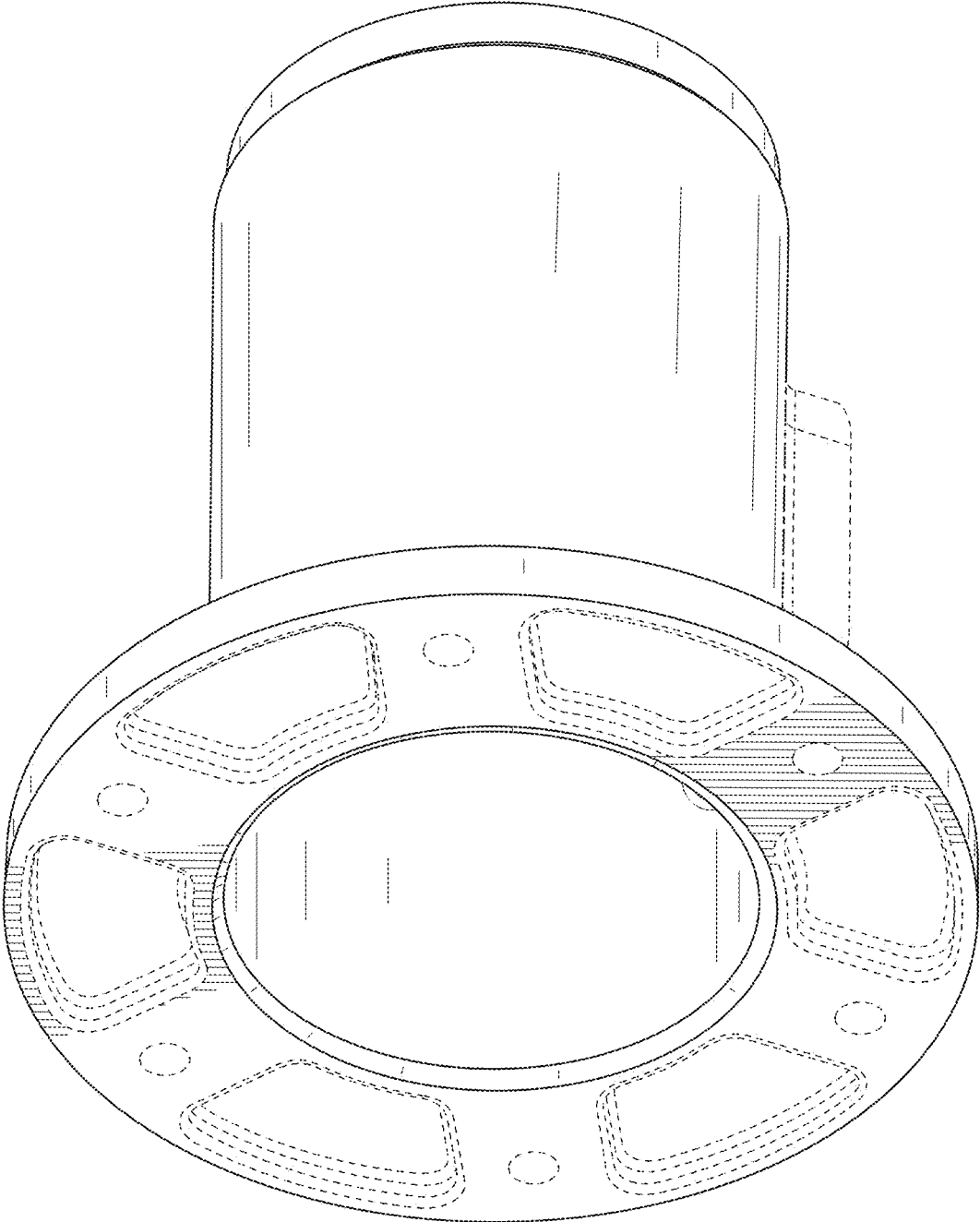
**FIG. 10**



**FIG. 11**



**FIG. 12**



**FIG. 13**

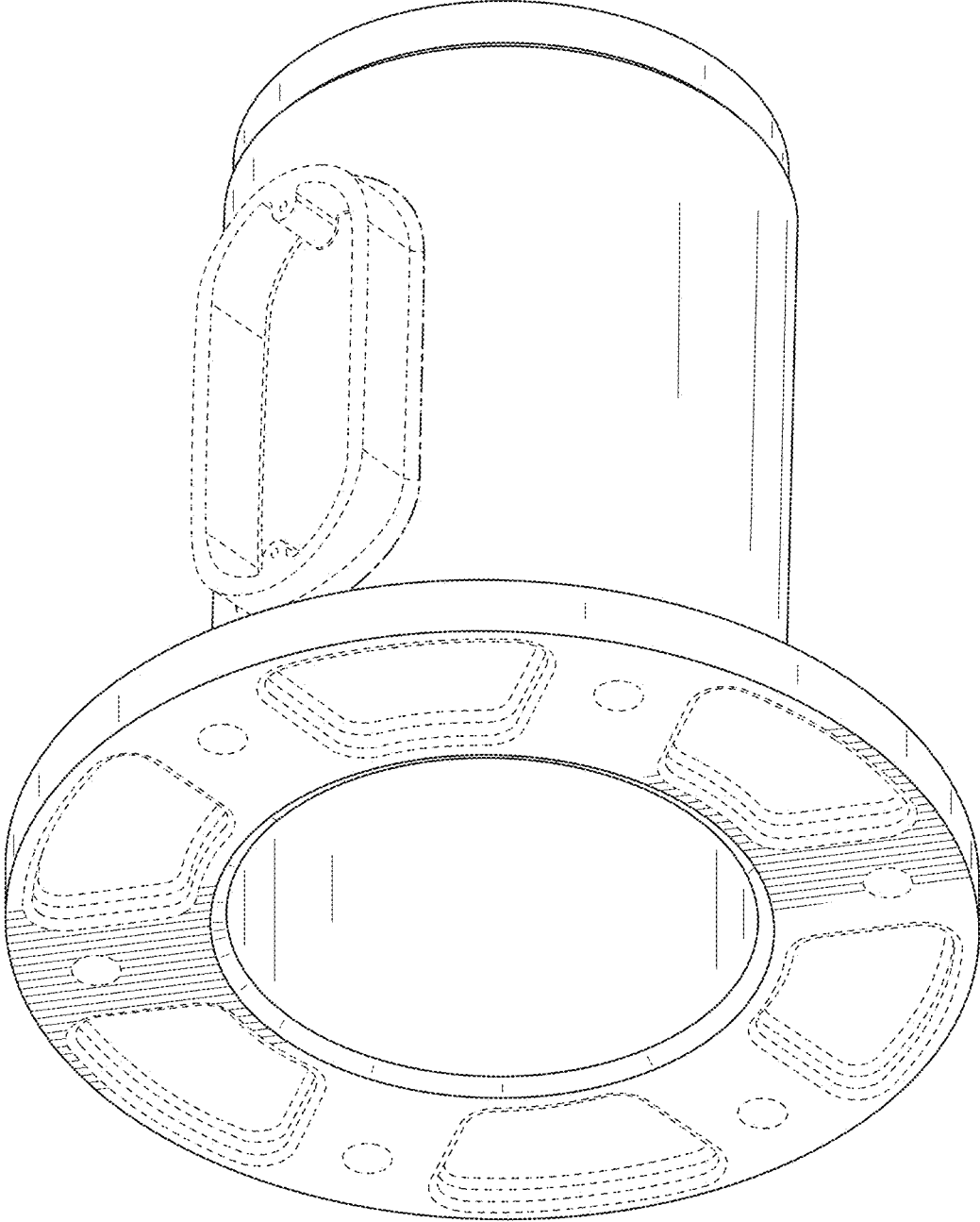


FIG. 14



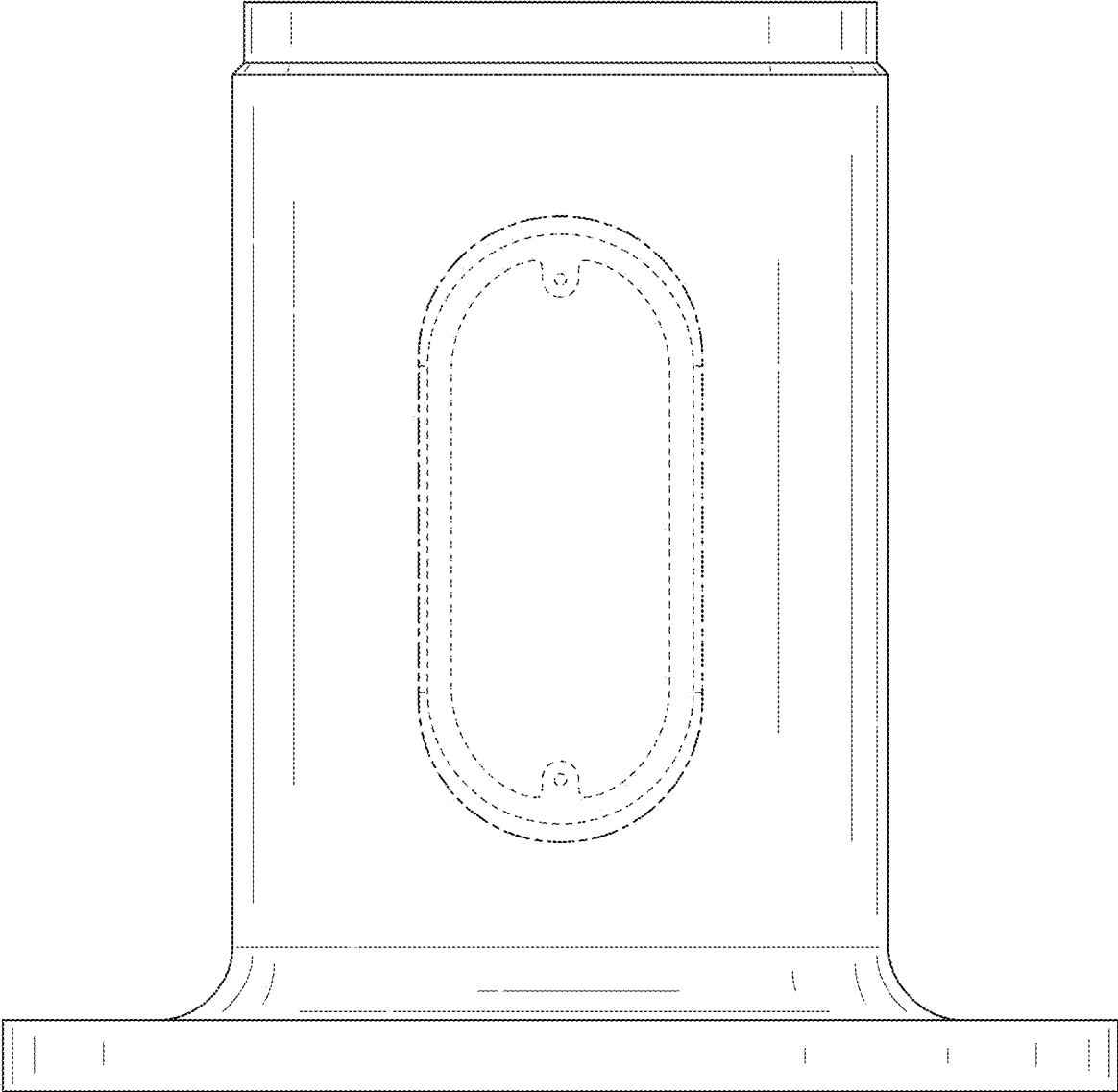
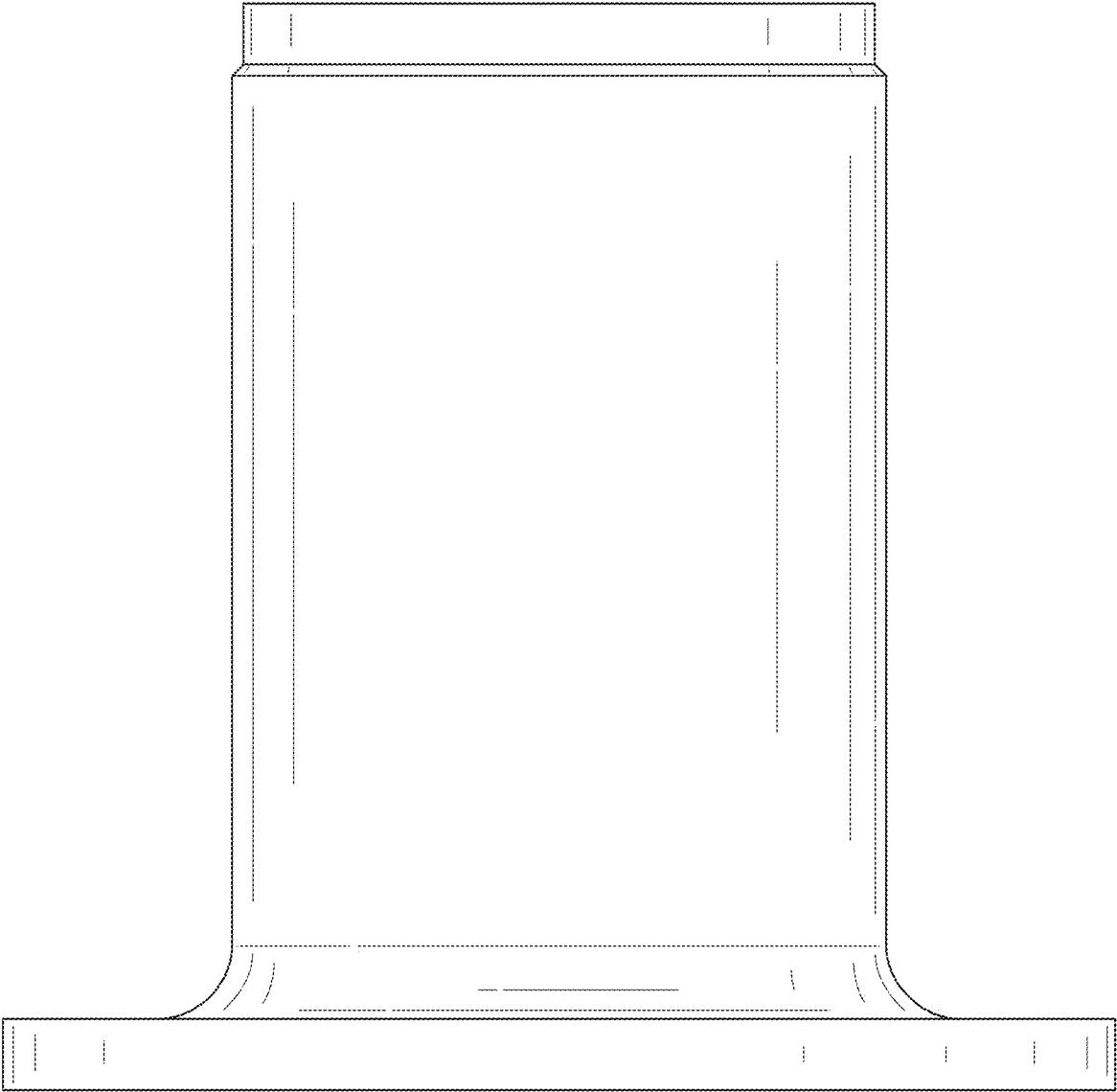


FIG. 15



**FIG. 16**

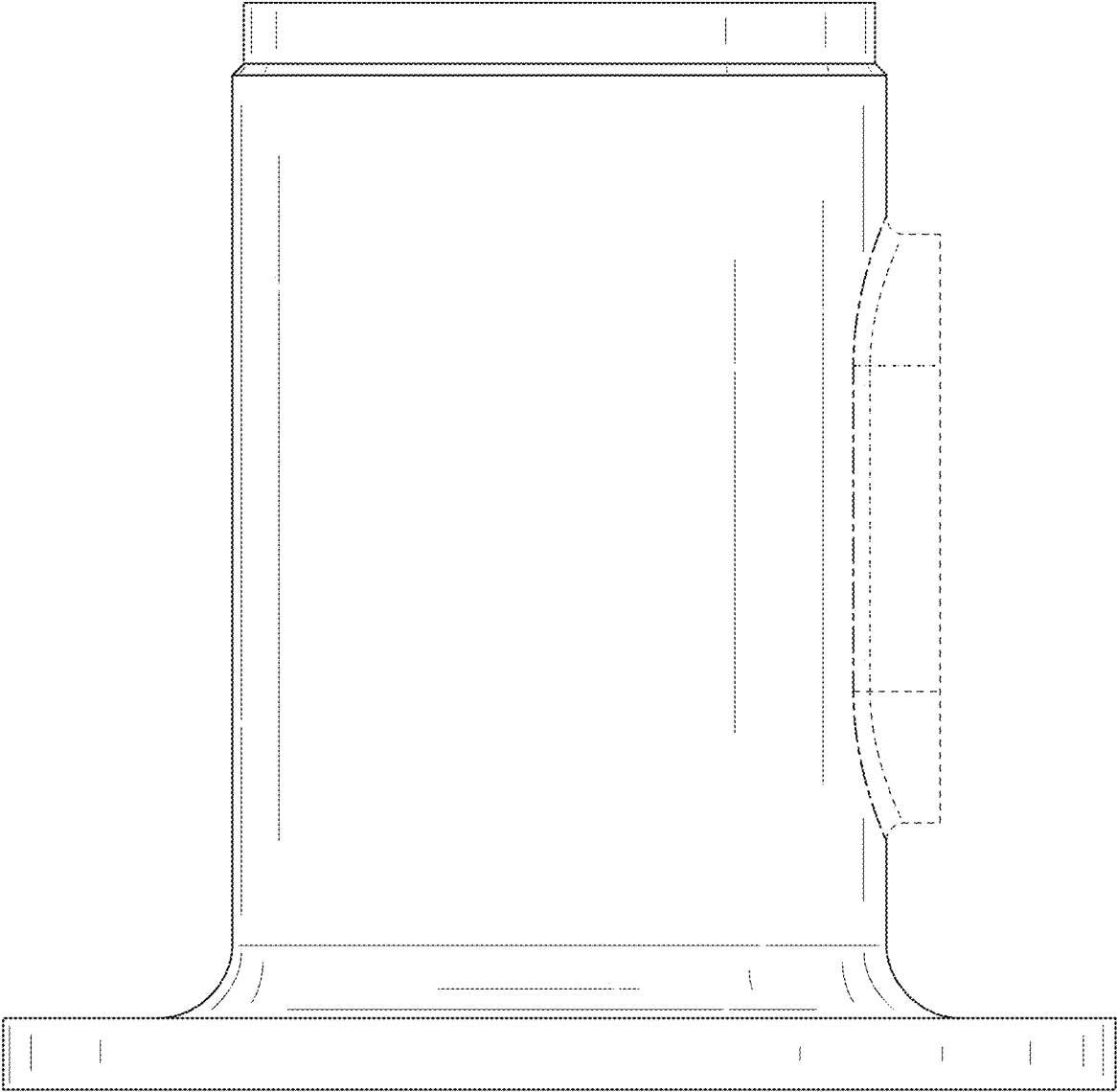


FIG. 17

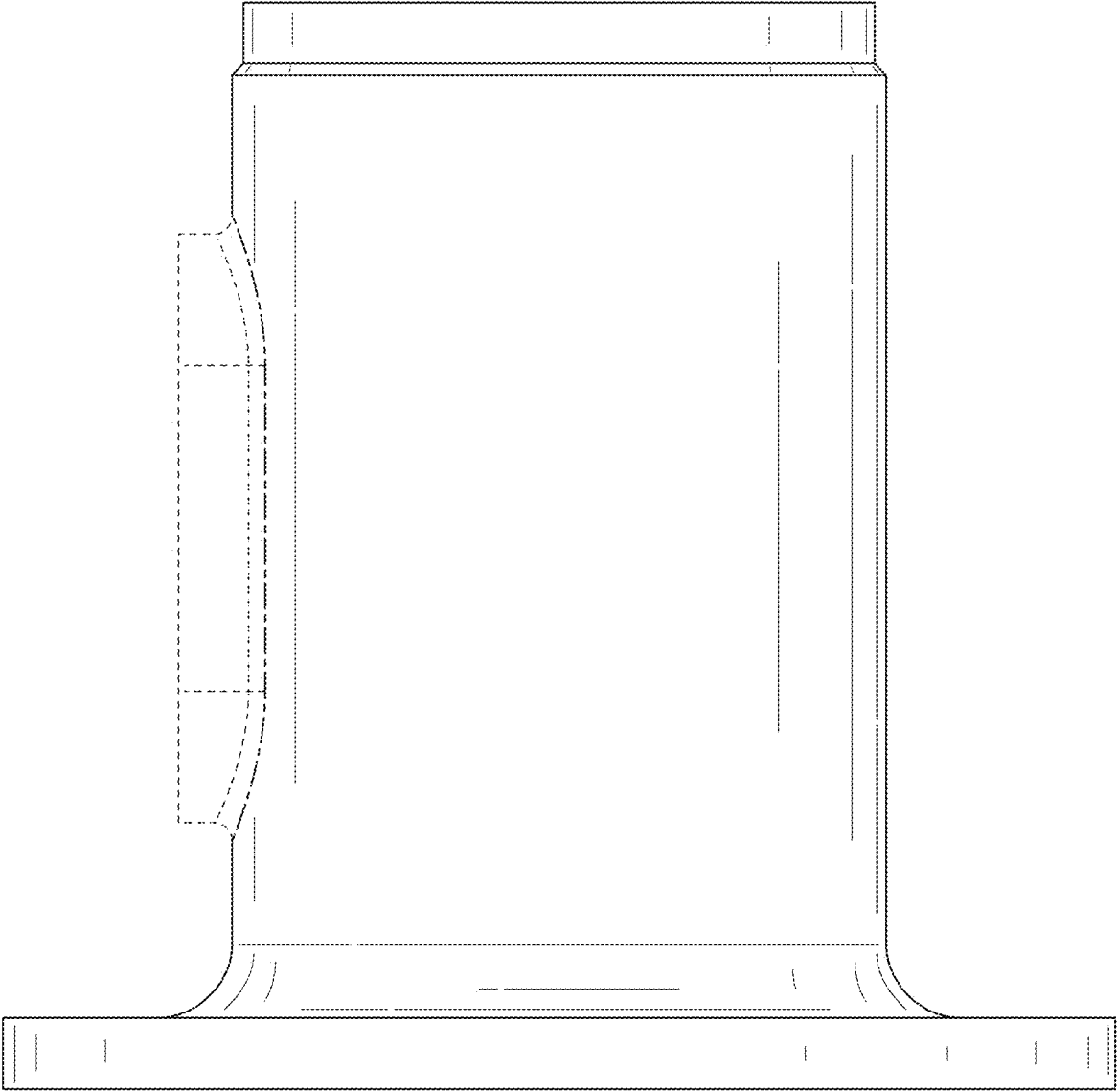
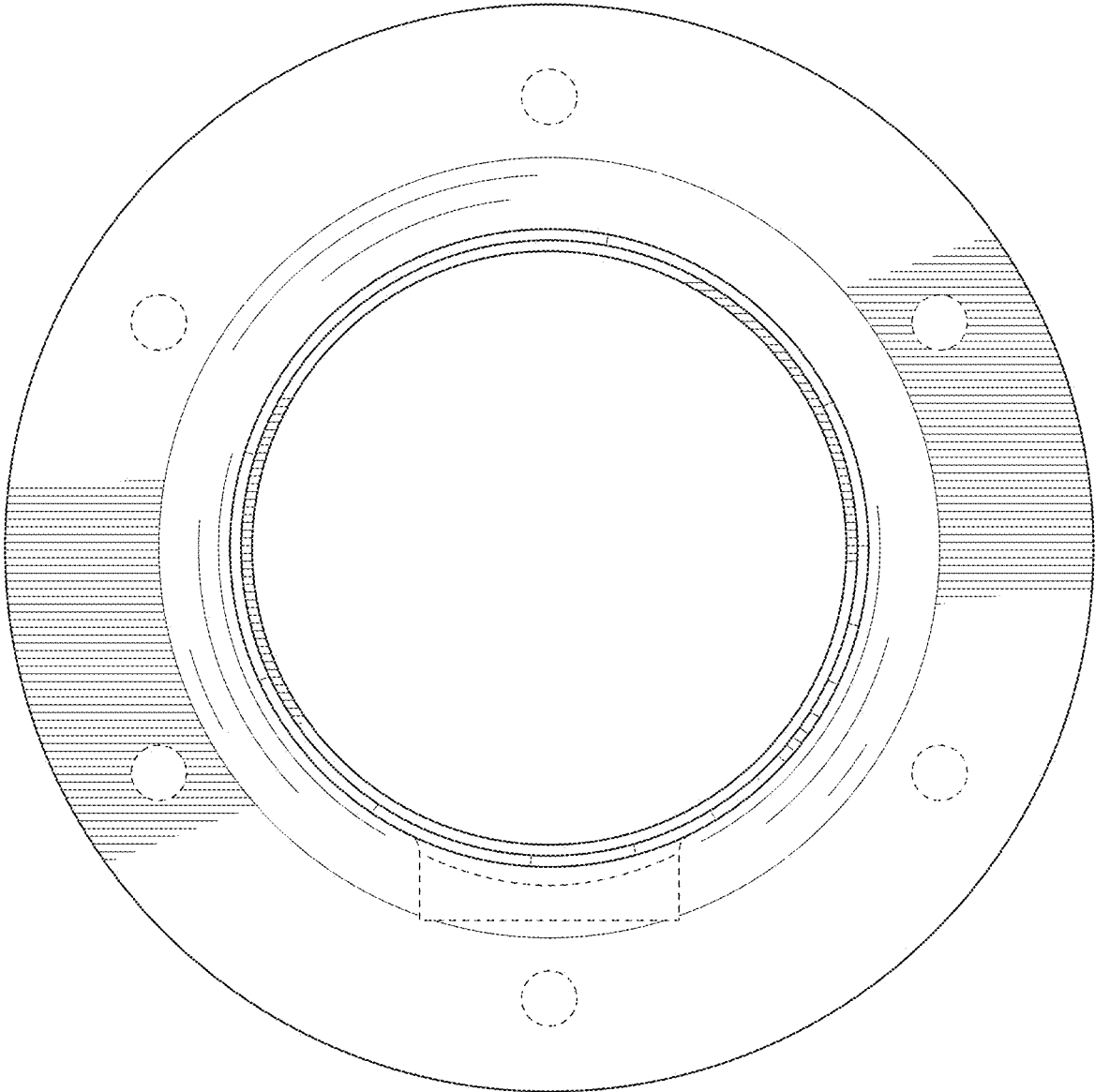
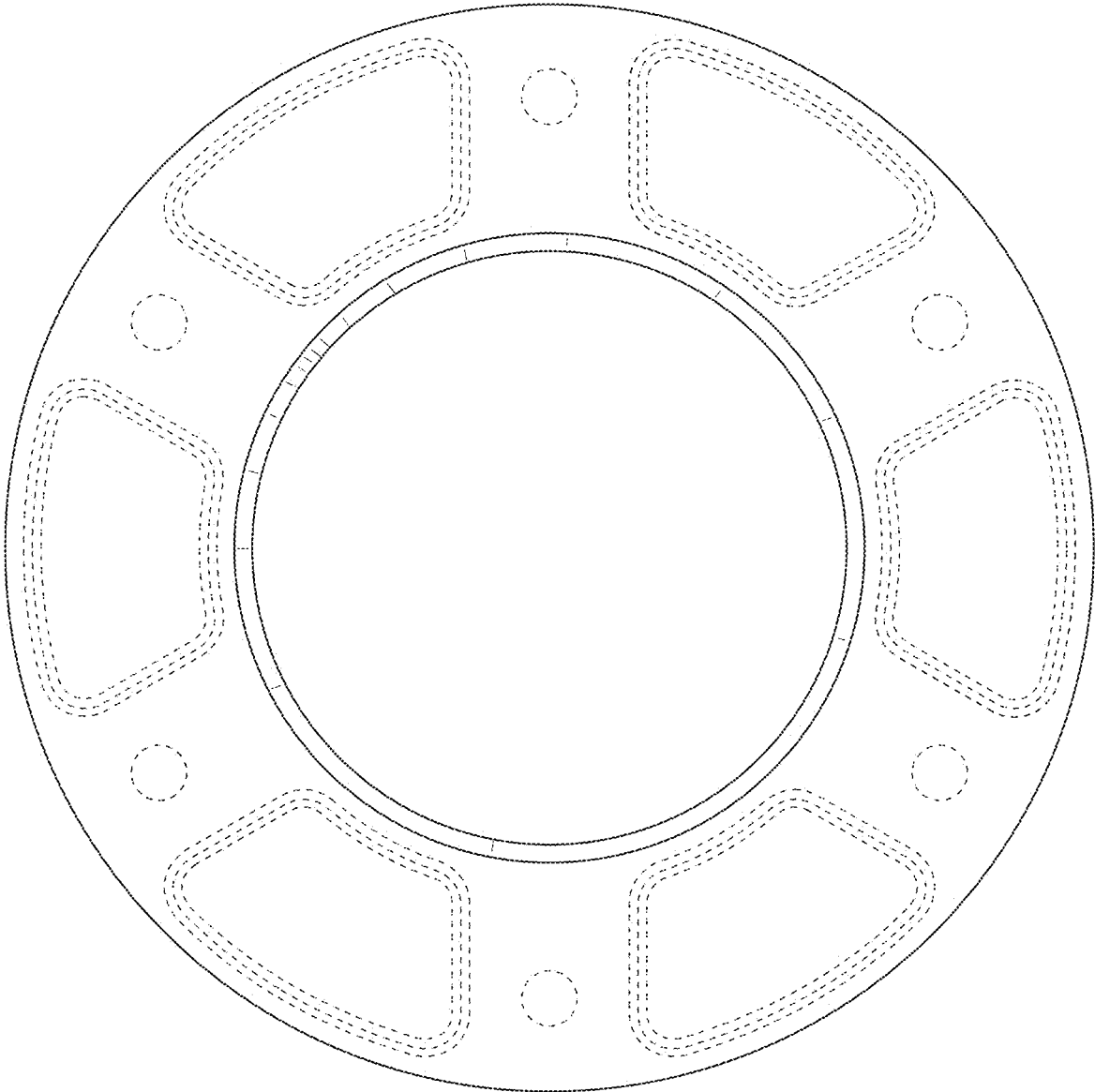


FIG. 18



**FIG. 19**



**FIG. 20**