



## blaugelb Assembly Bracket

For the horizontal attachment of full-length elements.

### Product features:

The attachment of window elements is subject to stringent requirements with regard to the transmission of forces from wind loads, dead weights of the construction elements and useful loads to special loads. It must be possible to statically measure the connections of the fixing and connecting means to be used in respect of the building's specific requirements. See "RAL LZM chap. 5" (as at 03/2014). This requirement under the recognised state of the art also applies for blaugelb Assembly Brackets in their many different applications.

### Applications:

- Force-transmitting attachment facing inwards
- Force-transmitting attachment facing outwards
- Transmission of vertical and horizontal forces in the window plane
- Transmission of horizontal forces perpendicular to the window plane
- Secure element attachment in new buildings and renovations

- ETB directive: 1985 and DIN 4103-1:2015 in ensemble
- Slots for fixing and alignment
- Perforated hole pattern in both 8.0 mm and 10.5 mm for a variable floor structure of 40 – 360 mm
- Static rated resistances to suction/pressure

Continued on  
the next page 



**Note:** Linked profiles (e.g. upper/lower window frame extensions) have the static effect of a joint. To counteract this, a load-bearing “counter bearing” must be created when mounting. See also the requirements under “RAL LZM chap. 5” and mounting instructions provided by window profile system and roller blind suppliers.

**Product benefits:**

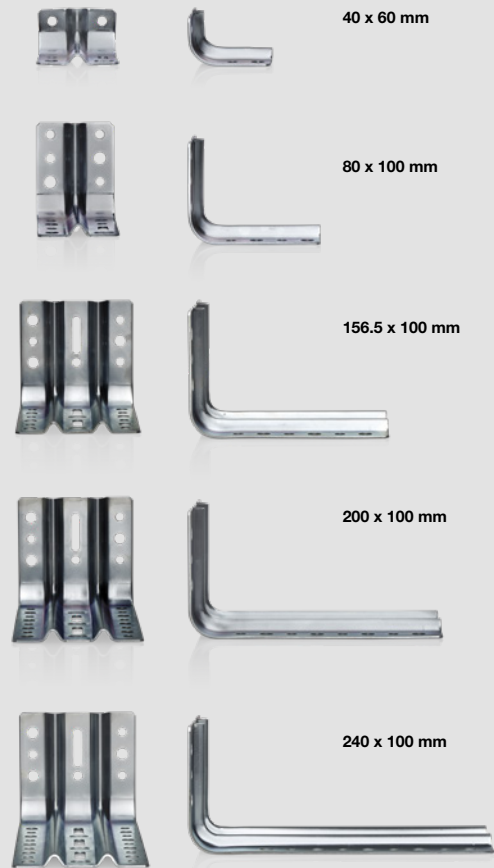
- Various hole diameters for receiving screw/dowel systems in a variety of anchor bases/solid wall materials
- Offset hole pattern gives high flexibility for attachment points in construction elements/building structures
- End-to-end configuration of the hole pattern allows the required edge distances of the screw fasteners in the wall material to be observed at all times
- Slots for adjusting the connecting means in two planes and for accommodating structural tolerances
- High corrosion protection
- Extensive test series permit static measurement serving as evidence of anchoring
- Brackets are available with various shank lengths, allowing a wide spectrum of use
- Brackets can be used on both sides to suit the particular construction situation
- Factory profiling of the brackets allows high force absorption and resistance to deformation
- Adjust easily and fasten securely
- Secure fastening, even with high element weights
- Tested for fastening of fall arrester elements
- Offset hole pattern in both 8.0 mm and 10.5 mm, ensuring that the screw connection does not meet the steel reinforcement
- Slots for fixing and alignment
- Slots for fixing and alignment in vertical and horizontal direction
- Easy to mould the sealing sheets

**Tested characteristics:**

- ETB directive: 1985 and DIN 4103-1: 2015 in ensemble
  - blaugelb Plinth Thermal Insulation Profiles IHP/EPS
  - blaugelb Plinth Thermal Insulation Profiles PVC/EPS
  - blaugelb Plinth Thermal Insulation Profiles EPS
  - blaugelb Assembly bracket
  - blaugelb Frame Screw Fix FK-T30
  - full-length element installation situation – window frame wood, PVC, aluminium
  - full-length element installation situation – threshold systems
  - full-length element installation situation – lifting/sliding door systems
- Horizontal load introduction
- Static rated resistances to suction/pressure

**Technical data:**

Material:	Cold-rolled DC01-A-m
Surface:	Galvanised
Material thickness:	2 mm
Total thickness of assembly bracket:	10.8 mm
Lengths:	40, 80, 156.5, 200, 240 mm
Packing unit:	25, 40, 50 or 100 pieces



Product name	PU	Item no.
blaugelb Assembly Bracket 40x60 mm	100 pieces	9068972
blaugelb Assembly Bracket 80x100 mm	50 pieces	9068973
blaugelb Assembly Bracket 156.5x100 mm	40 pieces	9069054
blaugelb Assembly Bracket 200x100 mm	25 pieces	9069055
blaugelb Assembly Bracket 240x100 mm	25 pieces	9069056
blaugelb Frame Screw Fix FK-T30 7.5x42 mm galv.	100 pieces	0422310
blaugelb Frame Screw Fix FK-T30 7.5x62 mm galv.	100 pieces	0422314

**Mounting instructions:**

To ensure proper, verifiable assembly (attachment), the following parameters must be borne in mind when planning and executing:

- Assessment of the construction situation
- Forces to be transmitted from construction elements, and the resulting effects
- Type of anchor bases (brickwork / concrete quality / wood strength), determining the choice of screw fastener, the screw-in depths and the necessary edge distances to the load-bearing edge of the anchor base
- Frame material of the construction element, size of the elements, determining the choice of screw fastener and their screw-in depths
- Height of the profiles to be linked, determining the choice of the appropriate bracket shank length

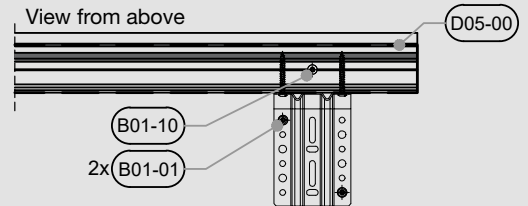
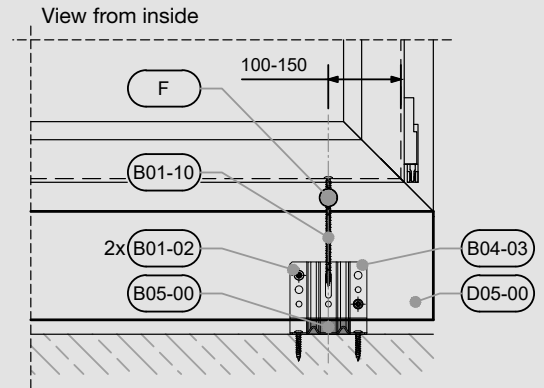
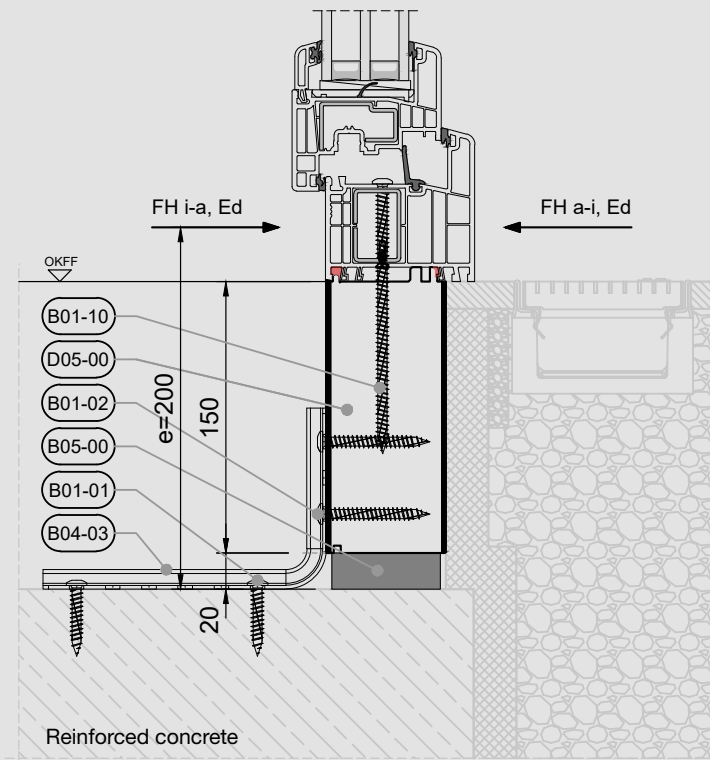


- Required joint widths, determining the free screw length
- Plan and execute possible sealing of the connecting joints, assembly brackets if necessary
- Documentation of test evidence showing how the forces being measured are absorbed in their effective direction
- Always mount the bracket with a closed profile contour in the direction of view
- The head diameter of the screw fasteners must always be greater than the hole diameter of the assembly bracket
- Avoid centres of rotation when assembling



Installation situation in front of the bearing wall

Positioning of blaugelb Frame Screws Fix



→ FH i-a,Rd = 2,13 kN

← FH a-i,Rd = 2,36 kN

← FH a-i,RdA = 4,25 kN

**Note:**

Based on the 5 % fractile, determined with a confidence level of 75 %

$\gamma_{mc} = 1.8$

Here, the component resistance is expressed as  
 “ i-a ” directed from the inside to the outside  
 and  
 “ a-i ” directed from the outside to the inside

**Test series 72-070324 and 73-070324\***

- B01-01** blaugelb Frame Screw Fix FK-T30 7.5x42 mm
- B01-02** blaugelb Frame Screw Fix FK-T30 7.5x62 mm
- B01-10** blaugelb Frame Screw Fix FK-T30 7.5x152 mm
- D05-00** blaugelb Plinth Thermal Insulation Profile PVC/TK
- B04-03** blaugelb Assembly Bracket 156x100 mm
- B05-00** blaugelb Spacer Block
- F** Point of force application

\* Test values determined in solid structural timber anchor base