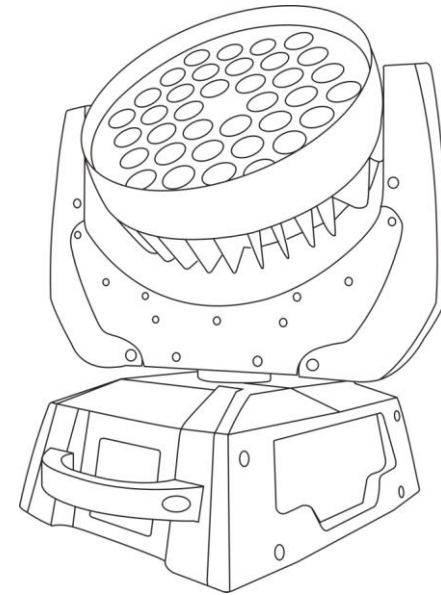


CE

36PCS 6IN1 LED Moving Head Zoom



**User Manual**

**KEEP THIS MANUAL FOR FUTURE NEEDS**

# 1. Unpacking

Thank you for choosing our Pro Lighting's 36pcs Zoom LED moving head light. For your own safety, please read this manual before installing the device. This manual covers the important information on installation and applications. Please install and operate the fixture with following instructions. Meanwhile, please keep this manual well for future needs.

The Moving Wash is made of a new type of high temperature strength of engineering plastics and cast aluminum casing with nice outlook. The fixture is designed and manufactured strictly following CE standards, complying with international standard DMX512 protocol. It's available independently controlled and linkable with each other for operation. And it is applicable for large-scale live performances, theater, studio, nightclubs and discos.

The Moving Wash adopts powerful LED lamps which features high brightness and stability. Please carefully unpack it when you receive the fixture and check whether it is damaged during the transportation. And please check whether the following items are included inside the box:

Moving head-----One	Signal Cable-----One
Omega Clamp-----One	User Manual-----One
Power Cable-----One	Safety Chain-----One

# 10. Maintenance and Cleaning

The following points have to be considered during the inspection:

- 1) All screws for installing the devices or parts of the device have to be tightly connected and must not be corroded.
- 2) There must not be any deformations on the housing, color lenses, fixations and installation spots (ceiling, suspension, trussing).
- 3) Mechanically moved parts must not show any traces of wearing and must not rotate with unbalances.
- 4) The electric power supply cables must not show any damage, material fatigue or sediments.

Further instructions depending on the installation spot and usage have to be adhered by a skilled installer and any safety problems have to be removed.



## CAUTION!

Disconnect from mains before starting maintenance operation.

In order to make the lights in good condition and extend the life time, we suggest a regular cleaning to the lights.

- 1) Clean the inside and outside lens each week to avoid the weakness of the lights due to accumulation of dust.
- 2) Clean the fan each week.
- 3) A detailed electric check by approved electrical engineer each three month, make sure that the circuit contacts are in good condition, prevent the poor contact of circuit from overheating.

We recommend a frequent cleaning of the device. Please use a moist, lint-free cloth. Never use alcohol or solvents.

There are no serviceable parts inside the device. Please refer to the instructions under "Installation instructions".

Should you need any spare parts, please order genuine parts from your local dealer.

## 9.Features

36PCS 18W high power RGBWAUV 6IN1 Color LEDs  
Specific optic system with Perfect color mixing  
50,000 hours lifespan and low power consumption  
Smooth and precise resolution for PAN/TILT movement  
540 Pan and 260 Tilt movement  
Zoom Angle from degree 10 to Degree 60  
Scan position memory, auto reposition after unexpected movement  
RGBWA color mixing system  
LED shutter/LED dimming/LED rainbow effect  
Macros effect  
Strobe effect with 18 flashes per second and pulse effect  
General dimming and blackout for all four colors  
DMX channels 15/18CHs  
Blue background LCD display  
3-pin DMX connectors and Powercon Connector

## 2. Safety Instructions



**CAUTION!**  
Be careful with your operations. With a dangerous voltage you can suffer a dangerous electric shock when touching wires!

This device has left the factory in perfect condition. In order to maintain this condition and to ensure a safe operation, it is absolutely necessary for the user to follow the safety instructions and warning notes written in this user manual.



**Important:**

*Damages caused by the disregard of this user manual are not subject to warranty. The dealer will not accept liability for any resulting defects or problems.*

If the device has been exposed to temperature changes due to environmental changes, do not switch it on immediately. The arising condensation could damage the device. Leave the device switched off until it has reached room temperature.

This device falls under protection-class I. Therefore it is essential that the device be earthed.

The electric connection must carry out by qualified person.

The device shall only be used with rate voltage and frequency.

Make sure that the available voltage is not higher that stated at the end of this manual.

Make sure the power cord is never crimped or damaged by sharp edges. If this would be the case, replacement of the cable must be done by an authorized dealer.

Always disconnect from the mains, when the device is not in use or before cleaning it. Only handle the power cord by the plug. Never pull out the plug by tugging the power cord.

During initial start-up some smoke or smell may arise. This is a normal process and does not necessarily mean that the device is defective, it should decrease gradually.

Please don't project the beam onto combustible substances.

Fixtures cannot be installed on combustible substances, keep more that 50cm distance with wall for smooth air flow, so there should be no shelter for fans and ventilation for heat radiation.

If the external flexible cable or cord of this luminaire is damaged, it shall be exclusively replaced by the manufacture or his service agent or a similar qualified person in order to avoid a hazard.

### 3. Operation Instructions

- The moving head is an LED wash light for onsite decoration purpose.
- Don't turn on the fixture if it's been through severe temperature difference like after transportation because it might damage the light due to the environment changes. So make sure to operate the fixture until it is in normal temperature.
- This light should be keep away from strong shaking during any transportation or movement.
- Don't pull up the light by only the head, or it might cause damages to the mechanical parts.
- don't expose the fixture in overheat, moisture or environment with too much dust when installing it. And don't lay any power cables on the floor. Or it might cause electronic shock to the people.
- Make sure the installation place is in good safety condition before installing the fixture.
- Make sure to put the safety chain and check whether the screws are screwed properly when installing the fixture.
- Make sure the lens are in good condition. It's recommended to replace the units if there are any damages or severe scratch.
- Make sure the fixture is operated by qualified personnel who knows the fixture before using.
- Keep the original packages if any second shipment is needed.
- Don't try to change the fixtures without any instruction by the manufacturer or the appointed repairing agencies.
- It is not in warranty range if there are any malfunctions from not following the user manual to operate or any illegal operation, like shock short circuit, electronic shock, lamp broke, etc.

	171-210	Color Gradually Changing
	211-250	Internal Programs
	251-255	Sound Activation Mode
17	0-255	Color Changing Modes Speed Adjustment
	0	No Color Selection
	1-255	Different Color Selection
	0-255	ID Code
	0	No ID Code
	10-19	ID 1
	20-29	ID 2
	30-39	ID 3
	40-49	ID 4
	50-59	ID 5
	60-69	ID 6
	70-79	ID 7
	80-89	ID 8
	90-99	ID 9
	.	.
	.	.
	.	.
	250-255	ID25
18	0-249	No Function
	250-255	Reset after 3 seconds

### 8. Technical Specifications

- Input Voltage: AC90-260V 50-60Hz
- LED Quantities: 36pcs X 18W 6in1 LED
- Control Signal: DMX 512, Master-slave and sound activated
- or auto operation Control Channel: 15/18 DMX Channels
- Zoom Angle: 10° to 60°
- Power Consumption:420W
- Dimensions:350x260x350mm
- Packing Dimensions: 425x290x520mm
- Net Weight: 11kg
- Gross Weight: 13kg

## 7.DMX Channels

### 15Channel Modes

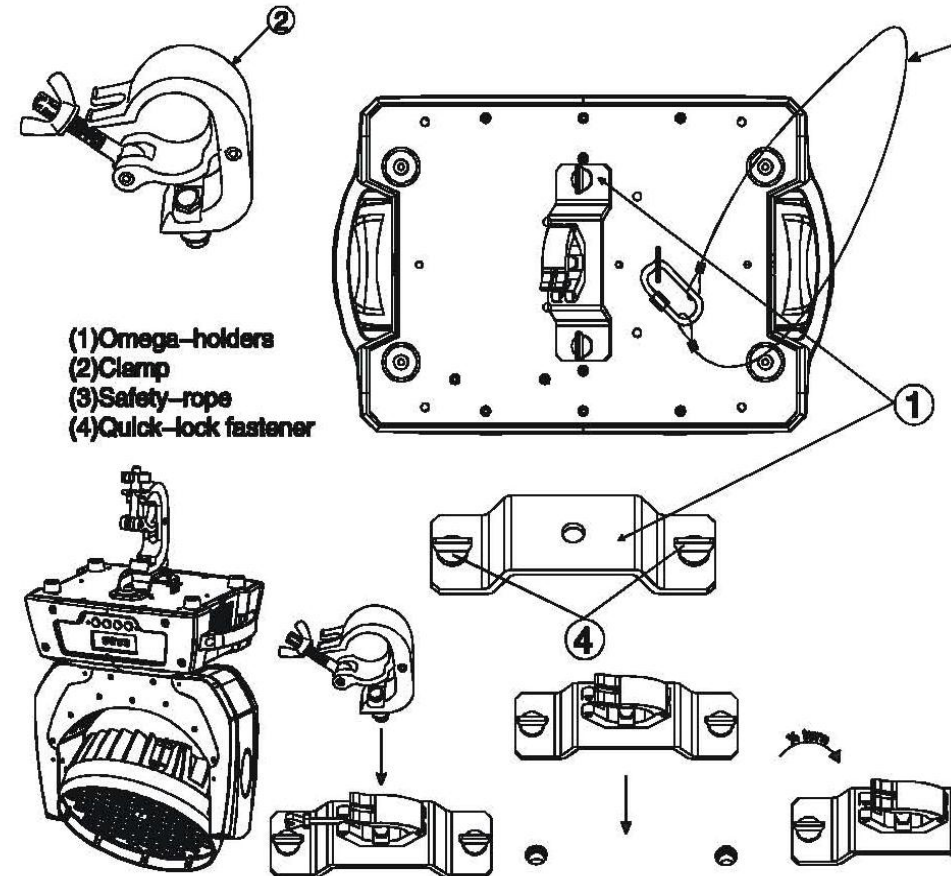
Channel	Value	Functions
1	0-255	Dimmer
2	0-255	Red
3	0-255	Green
4	0-255	Blue
5	0-255	White
6	0-255	UV
7	0-255	Amber
8	0-255	Color Selction
9	0-255	Pan Motor
10	0-255	Tilt Motor
11	0-255	Pan Fine 16 bit
12	0-255	Tilt Fine 16 bit
13	0-255	Pan&Tilt Motor Speed
14	0-255	Zoom Motor
15	0-249	No Function
	250-255	Reset after 3 seconds

### 18 Channel Modes

Channel	Value	Functions
1	0-255	Dimmer
2	0-255	Red
3	0-255	Green
4	0-255	Blue
5	0-255	White
6	0-255	UV
7	0-255	Amber
8	0-255	Color Selection
9	0-255	Pan Motor
10	0-255	Tilt Motor
11	0-255	Pan Fine 16bit
12	0-255	Tilt Fine 16bit
13	0-255	Pan&Tilt Motor Speed
14	0-255	Zoom Motor
15	0	No Strobe
	1-255	Strobe Speed
16	0	No Macro
	1-25	Controller Delay on
	26-50	Controller Delay off
	51-90	Color Selection on and off
	91-130	Color Mixing Change
	131-170	Color Jumping to Change

## 4. Installation Via Clamp

Please refer to the picture below:



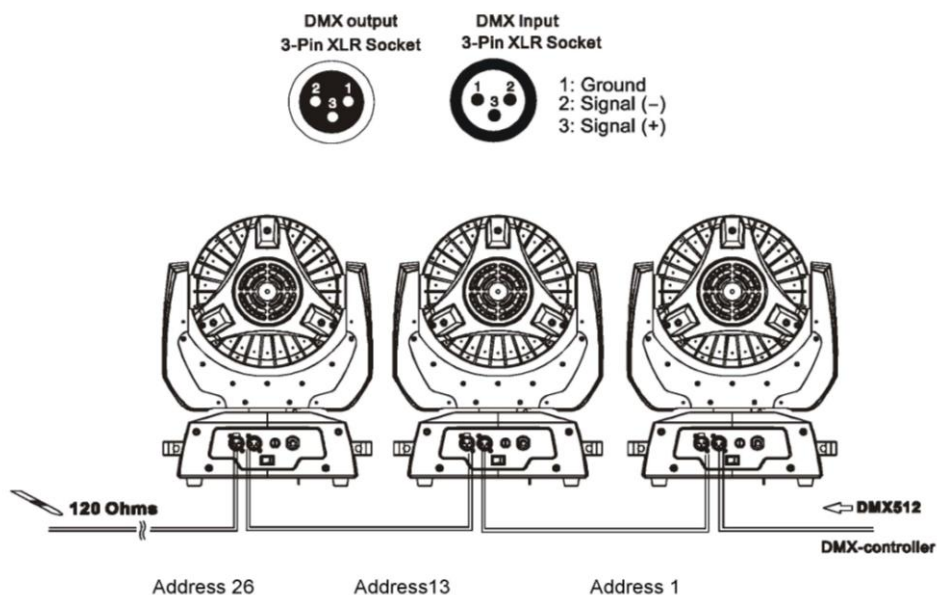
Screw one clamp each via a M12 screw and nut onto the Omega holders.

Insert the quick-lock fasteners of the first Omega holder into the respective holes on the bottom of the device. Tighten the quick-lock fasteners fully clockwise. Install the second Omega holder.

Pull the safety-rope through the holes on the bottom of the base and over the trussing system or a safe fixation spot. Insert the end in the carbine and tighten the safety screw.

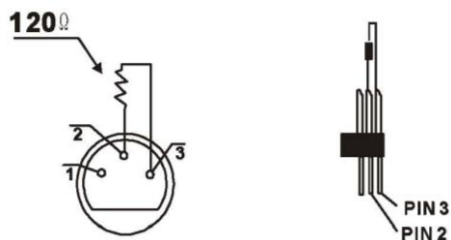
## 5. DMX-512 control connections

Connect the provided XLR cable to the female 3-pin XLR output of your controller and the other side to the male 3-pin XLR input of the moving head. You can chain multiple moving head together through serial linking. The cable needed should be two core, screened cable with XLR input and output connectors. Please refer to the diagram below.



DMX-512 connection with DMX terminator

For installations where the DMX cable has to run a long distance or is in an electrically noisy environment, such as in a discotheque, it is recommended to use a DMX terminator. This helps in preventing corruption of the digital control signal by electrical noise. The DMX terminator is simply an XLR plug with a 120  $\Omega$  resistor connected between pins 2 and 3, which is then plugged into the output XLR socket of the last fixture in the chain. Please see illustrations below.



## 6. Operation Menu

DMX Setting	-----DMX Setting (1-512)
Operation Mode	-----DMX 512(15CH&18CH) Auto Mode(Mode1-Mode8) Sound-Activation Mode Back to Menu
Test Mode	----- Pan Motor(0-255) Tilt Motor(0-255) Zooming Motor(0-255) Red(0-255) Green(0-255) Blue(0-255) White(0-255) Back to Menu
Advance Setting	-----ID Code(0-25) Pan Revert(ON/OFF) Tilt Revert (ON/OFF) Push Rod Delay (ON/OFF) Signal Connection (ON/OFF) Coding Mask (ON/OFF) Over Temperature Protection (ON/OFF) Temperature(Degree50-120) Fan Speed Display Protection(OFF/Mode1/Mode2) Display Revert (ON/OFF) Logo (ON/OFF) Factory Settings Resetting for Motor Display Calibration Back to Menu
System Information	----- Power on Timing Operation Time Software Version DMX Value Actual Temperature