

Main Office:

13113 Eastpoint Park Blvd, Suite D

Louisville, KY 40223

502-425-1647

Houston Office:

6100 Corporate Dr, Suite 399

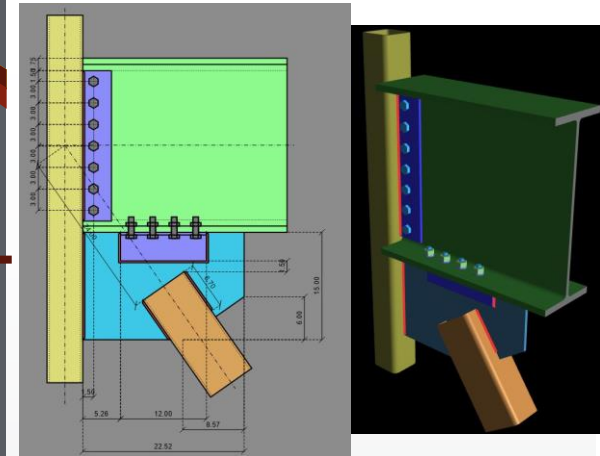
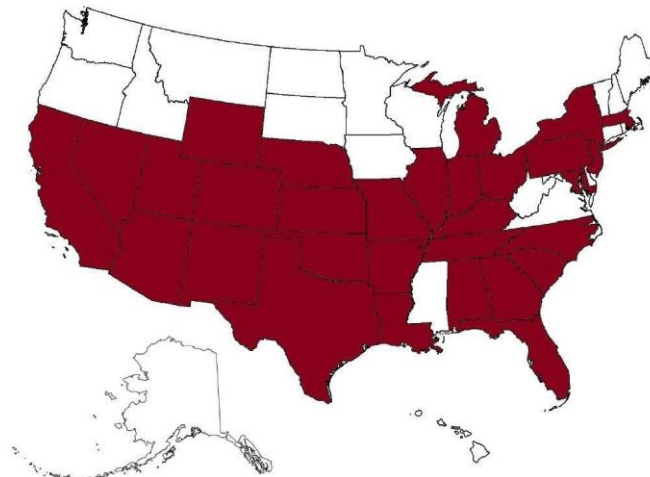
Houston, TX 77036

832-701-0774

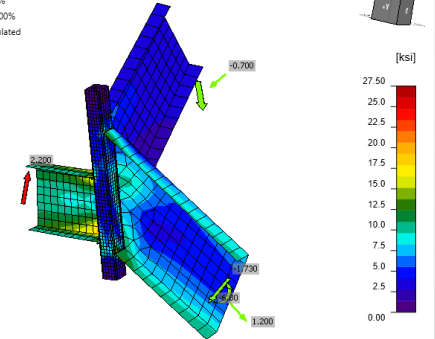
## CONNECTION DESIGN

- Over 20 years of experience in structural design and connection design
- Utilize **RISA Connection**, **IDEA StatiCa**, and **Mathcad**
- Specialize in hotels, mid-rise buildings, and industrial facilities
- Perform connection design with shop fabrication and field erection in mind to better suit your shop and erectors
- Complete connection design to satisfy the EOR's requirements and provide the most economical solution

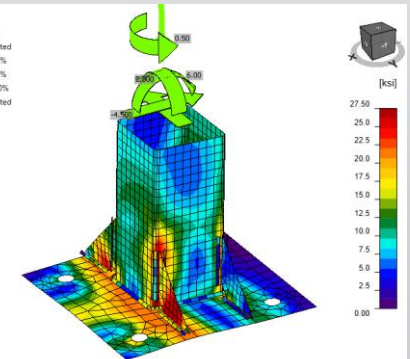
**LICENSED IN  
OVER 30 STATES**



Analysis	✓ 100.0%
Plates	✓ 0.0 < 5.0%
Welds	✓ 78.5 < 100%
Buckling	Not calculated



Analysis	✓ 100.0%
Plates	✓ 0.2 < 5.0%
Anchors	Not calculated
Welds	✓ 78.9 < 100%
Concrete block	✓ 18.9 < 100%
Shear	✗ 188.7 > 100%
Buckling	Not calculated



Email: [sales@lecg.us](mailto:sales@lecg.us)

[www.lecg.us](http://www.lecg.us)

PROJECT NAME/LOCATION	DESCRIPTION
<b>Youthbuild Connection Design Louisville, Kentucky</b>	<ul style="list-style-type: none"> <li>• Provided review of connections and braced connections and calculations with P.E. stamp</li> </ul>
<b>Norton Hospital Connection Design Louisville, Kentucky</b>	<ul style="list-style-type: none"> <li>• Provided connection design and P.E. stamped calculations and reviewed shop drawings</li> </ul>
<b>Omega Sand Plant Screen Area Oklahoma</b>	<ul style="list-style-type: none"> <li>• Provided connection design and P.E. stamped calculations, detailed connection sketches, and reviewed shop drawings</li> </ul>
<b>WRMC Core Renewal Fayetteville, Arkansas</b>	<ul style="list-style-type: none"> <li>• Provided connection design and P.E. stamped calculations and detailed connection sketches</li> <li>• Designed stairs and railings</li> <li>• Reviewed shop drawings and stamped erection (E) drawings</li> </ul>
<b>UVA Brandon Housing Charlottesville, Virginia</b>	<ul style="list-style-type: none"> <li>• Provided connection design and P.E. stamped calculations and reviewed shop drawings</li> </ul>
<b>Domtar Platform/Support Tower Hawesville, Kentucky</b>	<ul style="list-style-type: none"> <li>• Provided connection design and P.E. stamped calculations</li> </ul>
<b>Aloft Hotel Kansas City, Missouri</b>	<ul style="list-style-type: none"> <li>• Provided connection design and P.E. stamped calculations and typical connection sketches</li> <li>• Reviewed shop drawings and stamped erection (E) drawings</li> </ul>
<b>High Roller Sand Plant Kermit, Texas</b>	<ul style="list-style-type: none"> <li>• Provided connection design and P.E. stamped calculations and typical connection sketches</li> <li>• Reviewed shop drawings and stamped erection (E) drawings</li> </ul>
<b>Barrick Gold TRJV Winnemucca, Nevada</b>	<ul style="list-style-type: none"> <li>• Provided connection design and P.E stamped calculations and typical connection sketches</li> <li>• Reviewed shop drawings and stamped erection (E) drawings</li> </ul>
<b>Avcrad Phase 3 Springfield, Missouri</b>	<ul style="list-style-type: none"> <li>• Provided connection design and P.E stamped calculations and typical connection sketches</li> <li>• Reviewed shop drawings and stamped erection (E) drawings</li> </ul>