

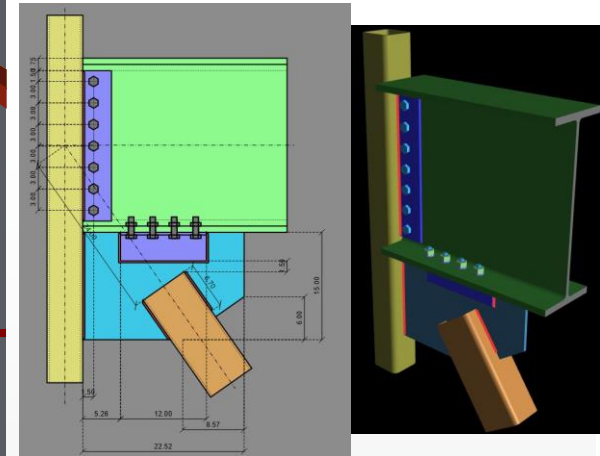
Since 2004

Main Office:

13113 Eastpoint Park Blvd, Suite D
Louisville, KY 40223
502-425-1647
lng@lecgi.us

Houston Office:

6100 Corporate Dr, Suite 399
Houston, TX 77036
832-701-0774
dliu@lecgi.us



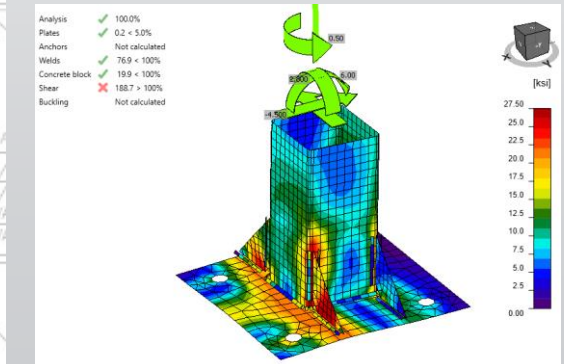
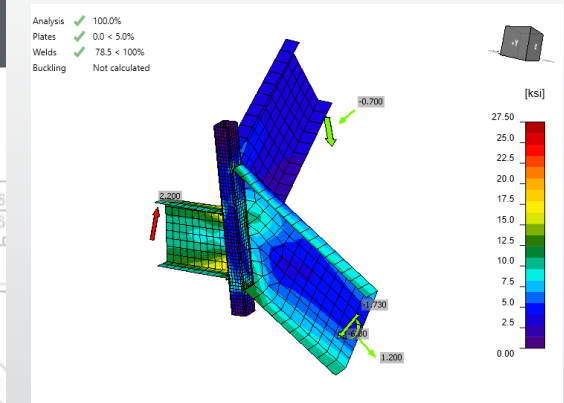
CONNECTION DESIGN

- Over 20 years of experience in structural design and connection design
- Utilize RISA Connection, IDEA StatiCa and Mathcad
- Specialize in hotels, mid-rise buildings, and industrial facilities
- Perform connection design with shop fabrication and field erection in mind to better suit your shop and erectors
- Complete connection design to satisfy the EOR's requirements and provide the most economical solution
- Deliver connection details with detailed calculations for your steel detailer
- Provide engineering stamp on both calculations and drawings

P.E./S.E. Licenses in

AL, AR, CA, FL, GA, IL, IN, KS, KY, LA, MA, MD, MI,
MO, NE, NV, NJ, NM, NY, OH, OK, PA, SC, TN, TX,
UT, VT

For more information
on our services and
projects, please visit
our website at
www.lecgi.us



PROJECT NAME/LOCATION	DESCRIPTION
Youthbuild Connection Design Louisville, Kentucky	<ul style="list-style-type: none"> • Provided review of connections and braced connections and calculations with P.E. stamp
Norton Hospital Connection Design Louisville, Kentucky	<ul style="list-style-type: none"> • Provided connection design and P.E. stamped calculations and reviewed shop drawings
Omega Sand Plant Screen Area Oklahoma	<ul style="list-style-type: none"> • Provided connection design and P.E. stamped calculations, detailed connection sketches, and reviewed shop drawings
WRMC Core Renewal Fayetteville, Arkansas	<ul style="list-style-type: none"> • Provided connection design and P.E. stamped calculations and detailed connection sketches • Designed stairs and railings • Reviewed shop drawings and stamped erection (E) drawings
UVA Brandon Housing Charlottesville, Virginia	<ul style="list-style-type: none"> • Provided connection design and P.E. stamped calculations and reviewed shop drawings
Domtar Platform/Support Tower Hawesville, Kentucky	<ul style="list-style-type: none"> • Provided connection design and P.E. stamped calculations
Aloft Hotel Kansas City, Missouri	<ul style="list-style-type: none"> • Provided connection design and P.E. stamped calculations and typical connection sketches • Reviewed shop drawings and stamped erection (E) drawings
High Roller Sand Plant Kermit, Texas	<ul style="list-style-type: none"> • Provided connection design and P.E. stamped calculations and typical connection sketches • Reviewed shop drawings and stamped erection (E) drawings
Barrick Gold TRJV Winnemucca, Nevada	<ul style="list-style-type: none"> • Provided connection design and P.E stamped calculations and typical connection sketches • Reviewed shop drawings and stamped erection (E) drawings
Avcrad Phase 3 Springfield, Missouri	<ul style="list-style-type: none"> • Provided connection design and P.E stamped calculations and typical connection sketches • Reviewed shop drawings and stamped erection (E) drawings