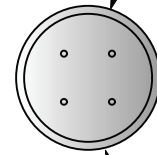
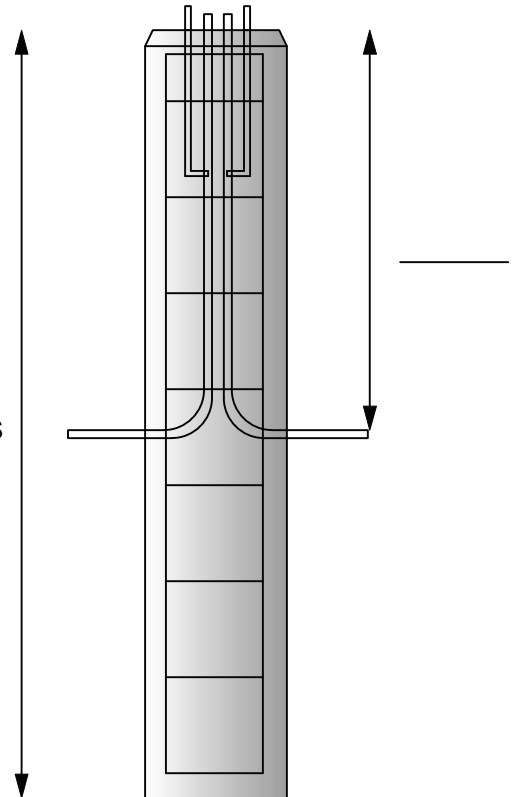


Ø 1'-6"



3/4" CHAMFER



HEIGHT VARIES

BOLT CIRCLE = _____

BOLT PROJECTION = _____

CONDUIT COVERAGE = _____

4000 PSI CONCRETE @ 28 DAYS
4-# 5 BAR VERTICAL
#3 BAR HOOPS 12" OC.

CONTRACTOR TO SUPPLY BOLTS , CONDUITS, AND GROUND WIRE IF REQUIRED

APPROVED FOR PRODUCTION

DATE:

MBO PRECAST, INC.
4 MARION DR. CARVER MA. 02330
PH: 508-866-6900 FAX: 508-866-5252



www.mboprecast.com



Show Name

18" DIA LIGHT POLE BASES

Reference

Drawn By

CMH

Date

10-28-11

CAD File Name