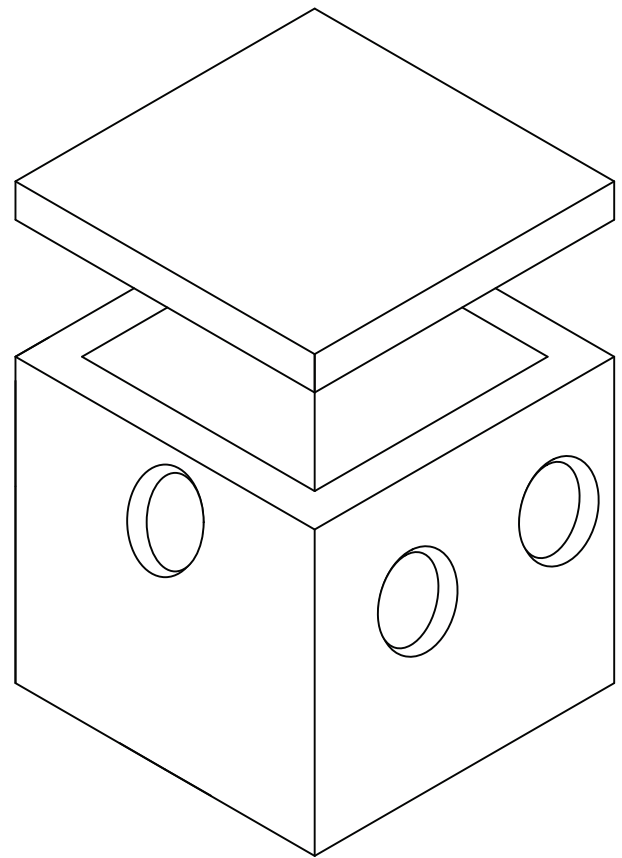
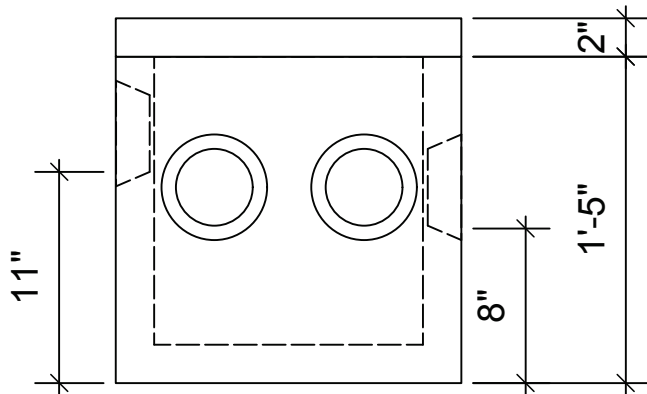


D-BOX RISER AVAILABLE



4000 PSI CONCRETE @ 28 DAYS  
 INLET AND OUTLETS HAVE POLYLOK PIPE SEALS

# MBO PRECAST, INC.

4 MARION DR. CARVER MA. 02330

PH: 508-866-6900 FAX: 508-866-5252



[www.mboprecast.com](http://www.mboprecast.com)



Show Name  
**5 OUTLET D BOX**

Reference

Drawn By

CMH

Date

5-20-11

CAD File Name