

REAR BUMPER INSTALLATION INSTRUCTIONS

This product should be installed by a qualified professional.

The safety and functionality of your product depends on its correct installation. Please follow these instructions carefully, as 6 Monkeys LLC is not liable for any damages or injuries, including death, as a result of faulty installation. Please install this product according to these instructions and use this product as intended. Technicians are advised to contact us with any questions prior to installation.

1. Only install this product on 2011 - 2021 Jeep Grand Cherokee models.

DO NOT INSTALL THIS PRODUCT ON A DIFFERENT MODEL VEHICLE.

2. PARTS LIST:

- A. Rear Bumper
- B. Outer Mount Brackets (2)
- C. Main Mount / Recovery Plates (2)
- D. Eagle Eye Rock Lights (2)
- E. Flush Mount Pod Lights (2)
- F. Recovery Shackles (2)
- G. Hardware Pack

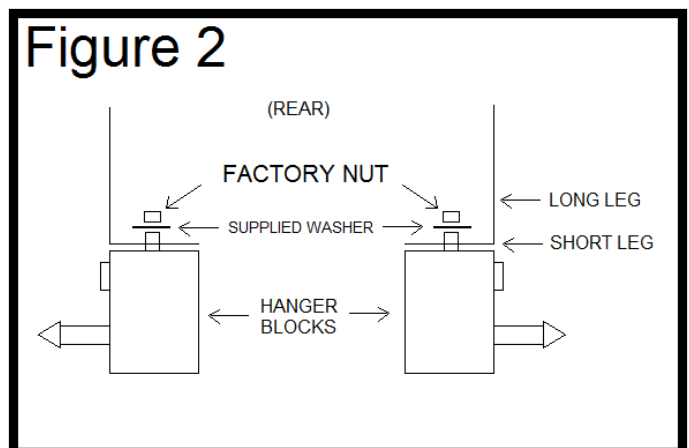
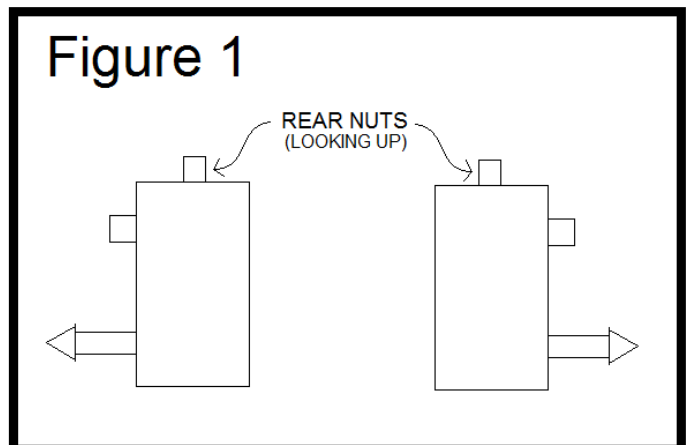
Note: Wiring kit not included.

3. Remove the plastic rear lower bumper from the vehicle.

4. Remove the rear nuts from the muffler hanger blocks and keep close by (you'll need them for installation). **See figure 1.**

5. ***DUAL EXHAUST VEHICLES***: Install both Outer Mount Brackets onto both sets of the muffler hanger bolts on each side of the vehicle and apply the nuts accordingly. **Do not tighten the nuts at this time. See Figures 2 for details.**

SINGLE EXHAUST VEHICLES: Install one Outer Mount Bracket to the muffler hanger bolts. Install the opposite Outer Mount Bracket using



the hole located on the frame (opposite your existing muffler). Use the supplied $\frac{3}{8}$ " bolt, washers, lock washer, and nut. **Do not tighten the nuts at this time. See Figure 3 & 4 for hardware placement.**

6. **This step requires a second qualified technician to assist with safe installation.** Lift the Rear Bumper into place. Slide the inner lip of the bumper into the narrow track where the factory bumper was previously mounted. **Note: If the rear center section does not fully engage into the slot, the lower portion of the existing plastic may be trimmed for clearance.** Once the Rear Bumper is in place, check the front corners to ensure the part is symmetrical and even on both sides of the vehicle. Once this is determined, place bolts, flat washers, lock washers, and nuts, into the outer corner mounts, **but do not tighten the nuts at this time.**

7. Install the Main Mount / Recovery Plates. Unbolt the 6 main bolts of the factory receiver located on the inside of the body of the vehicle. Place the bolts through the Main Mount / Recovery Plates. Add the supplied flat washers to the inside of the front four bolts **as seen in Figure 5 to the right. Once fitted into place, do not tighten the bolts at this time.**

8. Bolt the Rear Bumper to the Main Mount / Recovery Plates using the supplied $\frac{3}{8}$ " bolts, flat washers, lock washers, and nuts.

9. Now that all the hardware is in place, tighten all of the hardware securely in place while also checking to make sure the Rear Bumper stays symmetrical to your liking.

10. Once all hardware is securely tightened, install your Eagle Eye Rock Lights, Flush Mount Pod Lights, and Shackles.

11. Enjoy your new 6 Monkeys Rear Bumper!

Figure 3

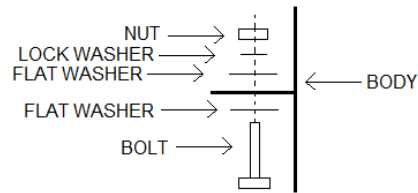


Figure 4

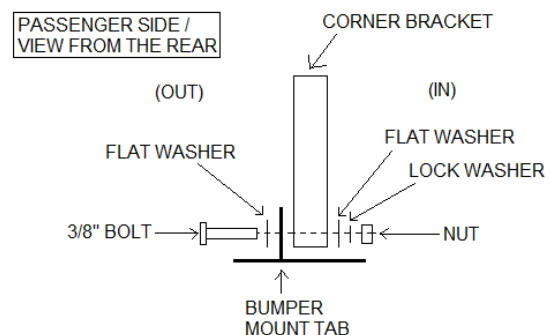


Figure 5

