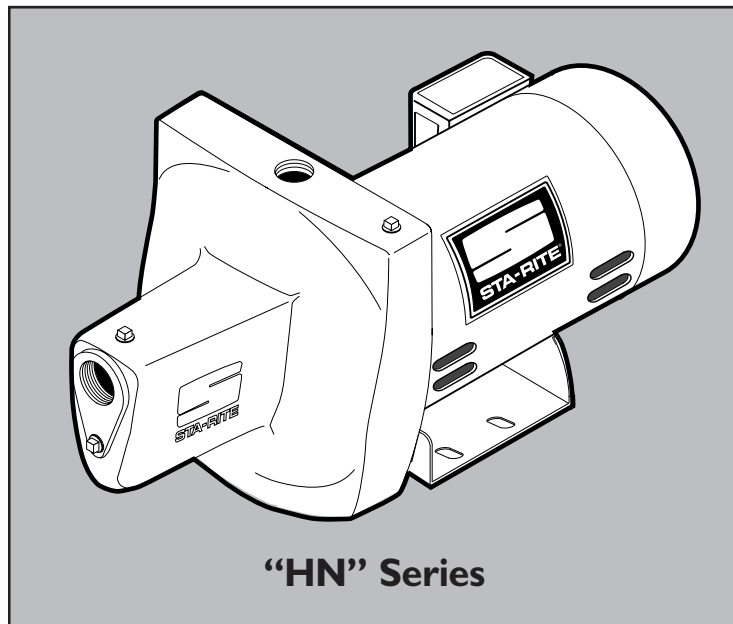


**STA-RITE®**

293 Wright Street, Delavan, WI 53115

OWNER'S MANUAL  
**Shallow Well Jet Pumps/  
Tank Systems**

---



**Installation/Operation/Parts**

*For further operating, installation,  
or maintenance assistance:*

**Call 1-262-728-9181**

## READ AND FOLLOW SAFETY INSTRUCTIONS!

**⚠ This is the safety alert symbol.** When you see this symbol on your pump or in this manual, look for one of the following signal words and be alert to the potential for personal injury:

**⚠ DANGER** warns about hazards that **will** cause serious personal injury, death or major property damage if ignored.

**⚠ WARNING** warns about hazards that **can** cause serious personal injury, death or major property damage if ignored.

**⚠ CAUTION** warns about hazards that **will** or **can** cause minor personal injury or property damage if ignored.

The label **NOTICE** indicates special instructions which are important but not related to hazards.

**Carefully read and follow all safety instructions in this manual and on pump.**

Keep safety labels in good condition.  
Replace missing or damaged safety labels.

## ELECTRICAL SAFETY

**⚠ WARNING** Capacitor voltage may be hazardous. To discharge motor capacitor, hold insulated handle screwdriver **BY THE HANDLE** and short capacitor terminals together. Do not touch metal screwdriver blade or capacitor terminals. If in doubt, consult a qualified electrician.

## GENERAL SAFETY

**⚠ CAUTION** Do not touch an operating motor. Modern motors are designed to operate at high temperatures. To avoid burns when servicing pump, allow it to cool for 20 minutes after shut-down before handling.

Do not allow pump or any system component to freeze. To do so will void warranty.

Pump water only with this pump.

Periodically inspect pump and system components.

Wear safety glasses at all times when working on pumps.

Keep work area clean, uncluttered and properly lighted; store properly all unused tools and equipment.

Keep visitors at a safe distance from the work areas.

**⚠ WARNING** Pump body may explode if used as a booster pump unless relief valve capable of passing full pump flow at 75 psi is installed.

**⚠ WARNING**




**Hazardous voltage. Can shock, burn, or cause death.**

Ground pump before connecting to power supply. Disconnect power before working on pump, motor or tank.

- ⚠** Wire motor for correct voltage. See “Electrical” section of this manual and motor nameplate.
- ⚠** Ground motor before connecting to power supply.
- ⚠** Meet National Electrical Code, Canadian Electrical Code, and local codes for all wiring.
- ⚠** Follow wiring instructions in this manual when connecting motor to power lines.

**⚠ WARNING**



**Hazardous pressure! Install pressure relief valve in discharge pipe.**

Release all pressure on system before working on any component.

**Thank you for purchasing a top quality, factory tested pump.**

	Page
General Safety .....	2
Installation .....	4,5
Connecting Discharge Piping.....	6
Electrical .....	7,8
Preparing To Start The Pump.....	9
Troubleshooting.....	10
Repair Parts .....	11
Warranty .....	12

### Performance Chart

Model HP	Disch. PSI	GPM at depth to water					Shut Off Pressure PSI
		5 Ft.	10 Ft.	15 ft.	20 Ft.	25 Ft.	
<b>HNC-L</b> <b>1/2 HP</b>	30	15.0	13.0	11.6	8.7	6.9	70
	40	12.5	11.4	10.1	8.2	6.8	
	50	8.0	6.8	6.1	4.8	3.5	
<b>HND-L</b> <b>3/4 HP</b>	30	21.4	19.1	16.5	13.3	9.5	67
	40	20.8	18.7	15.8	13.2	9.3	
	50	13.5	11.6	10.1	7.4	2.4	
<b>HNE-L*</b> <b>1 HP</b>	30	28.5	25.0	21.4	17.4	12.6	67
	40	28.3	24.4	21.0	17.2	12.3	
	50	21.5	18.3	10.9	3.1	1.6	

\* Performance taken with 1-1/2 NPT suction pipe.

### Performance Chart for Export Models

Model HP	Disch. PSI	GPM at depth to water					Shut Off Pressure PSI
		5 Ft.	10 Ft.	15 ft.	20 Ft.	25 Ft.	
<b>HNDX</b> <b>3/4 HP</b>	30	15.0	13.0	11.6	8.7	6.9	70
	40	12.5	11.4	10.1	8.2	6.8	
	50	8.0	6.8	6.1	4.8	3.5	
<b>HNEX</b> <b>1 HP</b>	30	21.4	19.1	16.5	13.3	9.5	67
	40	20.8	18.7	15.8	13.2	9.3	
	50	13.5	11.6	10.1	7.4	2.4	
<b>HNFX</b> <b>1-1/2 HP</b>	30	28.5	25.0	21.4	17.4	12.6	67
	40	28.3	24.4	21.0	17.2	12.3	
	50	21.5	18.3	10.9	3.1	1.6	

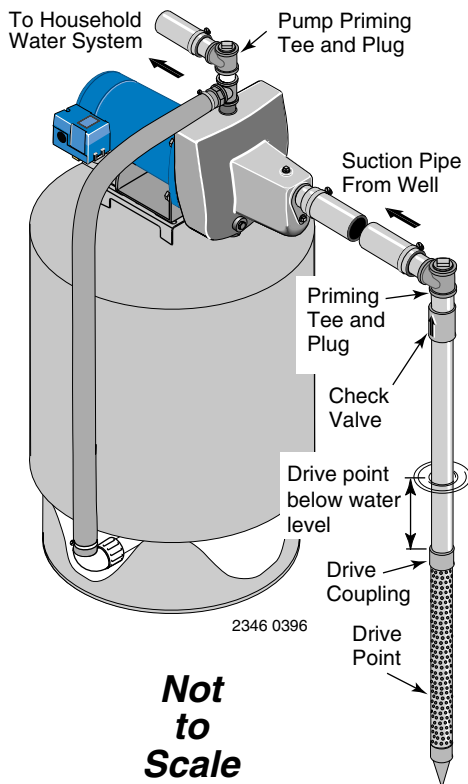


Figure 1: Driven Point Installation

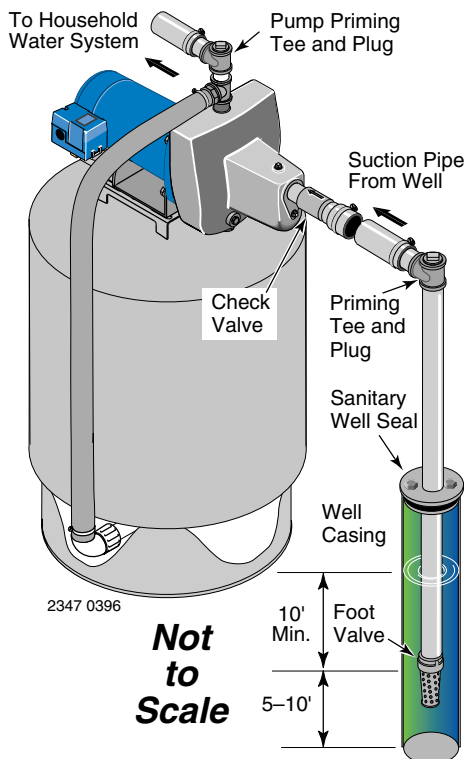


Figure 2: Cased Well Installation

## REPLACING AN OLD PUMP

**⚠ WARNING** Hazardous voltage. Disconnect power to pump before working on pump or motor.

- Step 1. Drain and remove the old pump. Check the old pipe for scale, lime, rust, etc., and replace it if necessary.
- Step 2. Install the pump in the system. Make sure that all pipe joints in the suction pipe are air-tight as well as water tight. *If the suction pipe can suck air, the pump will not be able to pull water from the well.*
- Step 3. Adjust the pump mounting height so that the plumbing connections do not put a strain on the pump body. Support the pipe so that the pump body does not take the weight of piping or fittings.

**You have just completed the well plumbing for your new shallow well jet pump. Please go to Page 6 for discharge pipe and tank connections.**

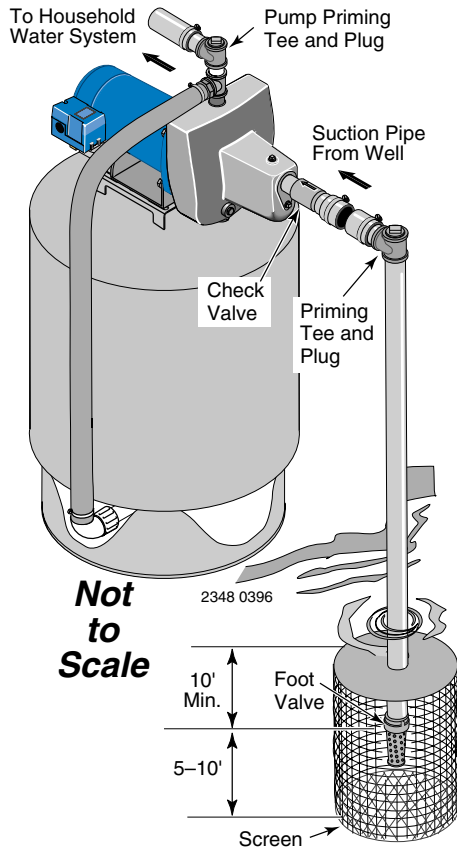
## WELL POINT (DRIVEN POINT) INSTALLATION (Figure 1)

- Step 1. Drive the well, using “drive couplings” and a “drive cap”. “Drive fittings” are threaded all the way through and allow the pipe ends to butt against each other so that the driving force of the maul is carried by the pipe and *not* by the threads. The ordinary fittings found in hardware stores are not threaded all the way through the fitting and can collapse under impact. “Drive fittings” are also smoother than standard plumbing fittings, making ground penetration easier.
- Step 2. Mount the pump as close to the well as possible
- Step 3. Use the fewest possible fittings (especially elbows) when connecting the pipe from the well point to the pump suction port. The suction pipe should be at least as large as the suction port on the pump (include a check valve if your pump is not equipped with one – see Figure 1). Support the pipe so that there are no dips or sags in the pipe, so it doesn’t strain the pump body, and so that it slopes slightly upward from the well to the pump (high spots can cause air pockets which can air lock the pump). Seal the suction pipe joints with teflon tape or a teflon based pipe joint compound. Joints must be air- and water-tight. *If the suction pipe can suck air, the pump cannot pull water from the well.* If one well point does not supply enough water, consider connecting two or three well points to one suction pipe.

**You have just completed the suction piping for your new shallow well jet pump. Please go to Page 6 for discharge pipe and tank connections**

## CASED WELL INSTALLATION, 2" OR LARGER CASING (Figure 2)

- Step 1. Mount the pump as close to the well as possible.
- Step 2. Assemble the foot valve, strainer, and well pipe (see Figure 2). Make sure that the foot valve works freely.
- Step 3. Lower the pipe into the well until the strainer is five feet above the bottom of the well. It should also be at least 10 feet below the well’s water level *while the pump is running* in order to prevent the pump from sucking air. Install a sanitary well seal.



**Figure 3: Surface Water Installation**

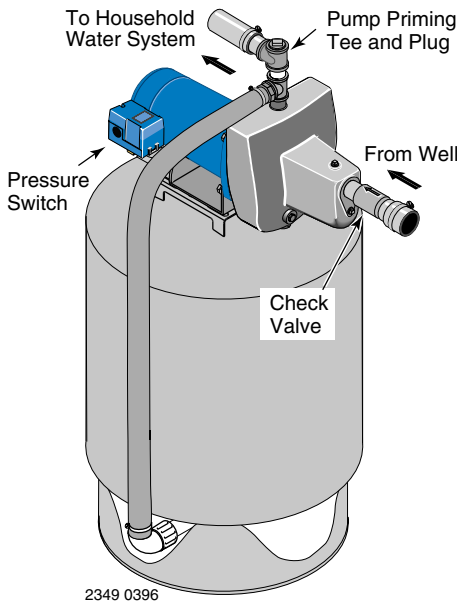
Step 4. Install a priming tee, priming plug, and suction pipe to the pump (see Figure 2). Connect the pipe from the well to the pump suction port, using the fewest possible fittings – especially elbows – as fittings increase friction in the pipe (however, include a foot valve – see Figure 2). The suction pipe should be at least as large as the suction port on the pump. Use teflon tape or a teflon-based pipe joint compound on threaded pipe joints. Support the pipe so that there are no dips or sags in the pipe, so it doesn't strain the pump body, and so that it slopes slightly upward from the well to the pump (high spots can cause air pockets which can air lock the pump). Seal the suction pipe joints with teflon tape or a teflon based pipe joint compound. Joints must be air- and water-tight. *If the suction pipe can suck air, the pump cannot pull water from the well.*

**You have just completed the suction piping for your new shallow well jet pump. Please go to Page 6 for discharge pipe and tank connections.**

### INSTALLATION FOR SURFACE WATER (Figure 3)

- Step 1. The pump should be installed as close to the water as possible, with the fewest possible fittings (especially elbows) in the suction pipe. The suction pipe should be at least as large as the suction port on the pump.
- Step 2. Assemble a foot valve and suction pipe (see Figure 3). Make sure that the foot valve works freely. Use teflon tape or a teflon-based pipe joint compound on threaded pipe joints. Protect the foot valve assembly from fish, trash, etc, by installing a screen around it (see Figure 3).
- Step 3. Lower the pipe into the water until the strainer is five feet above the bottom. It should also be at least 10 feet below the water level in order to prevent the pump from sucking air.
- Step 4. Install a priming tee, priming plug, and suction pipe to the pump (see Figure 3). Support the pipe so that there are no dips or sags in the pipe, so it doesn't strain the pump body, and so that it slopes slightly upward from the well to the pump (high spots can cause air pockets which can air lock the pump). Seal the suction pipe joints with teflon tape or a teflon based pipe joint compound. Joints must be air- and water-tight. *If the suction pipe can suck air, the pump cannot pull water from the well.*

**You have just completed the plumbing for your new shallow well jet pump. Please go to Page 6 for discharge pipe and tank connections.**



**Figure 4: Pre-charged Tank Connections**

## PRE-CHARGE TANK CONNECTION (Figure 4)

- Step 1. Install two tees in the pump discharge port (see Figure 4). The pipe size must be at least as large as the discharge port.
- Step 2. Run a pipe or reinforced hose from one arm of the first tee to the port on the pre-charged tank.
- Step 3. Connect the other end of the discharge tee to your plumbing system.
- Step 4. Check the pre-charge of air in the tank with an ordinary tire gauge. The pre-charge should be 2 PSI less than the cut-in setting of the pump's pressure switch. The pre-charge is measured *when there is no water pressure in the tank*. Your new pump has a 30/50 PSI switch, so adjust the tank pre-charge pressure to 28 PSI.

**Congratulations! You have just completed the tank connection for your jet pump.**

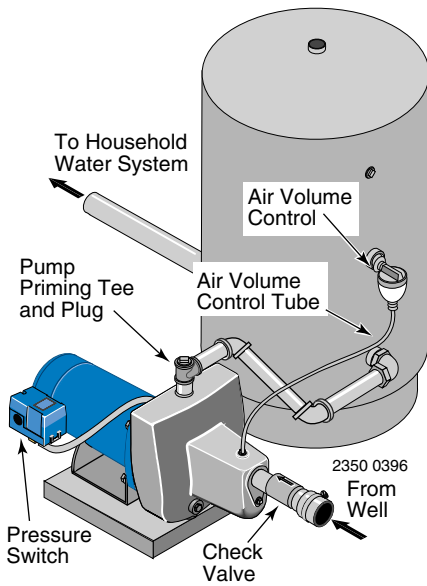
**Please go to Pages 7 and 8 for electrical hookup.**

## STANDARD TANK CONNECTION (Figure 5)

- Step 1. Install one tee in the pump discharge port (see Figure 5).
- Step 2. Run a pipe from the pump discharge port to the inlet port of your tank. The pipe size must be at least as large as the discharge port.
- Step 3. Remove the 1/8" NPT pipe plug from the pump Air Volume Control (AVC) port (see Figure 5). Run tubing from the pump's AVC port (see Figure 5) to the port on the AVC mounted on the tank. See instructions provided with tank and AVC for details. AVC port location will vary, depending on your pump model (see exploded view, Page 11).

**Congratulations! You have just completed the tank connection for your jet pump.**

**Please go to Pages 7 and 8 for electrical hookup.**



**Figure 5: Standard Tank Connections**

### Sealing Pipe Joints

Use only Teflon tape or Teflon based joint compounds for making all threaded connections to the pump itself. **Do not use pipe joint compounds on plastic pumps:** they can react with the plastic in pump components. Make sure that all pipe joints in the suction pipe are air tight as well as water tight. *If the suction pipe can suck air, the pump will not be able to pull water from the well.*

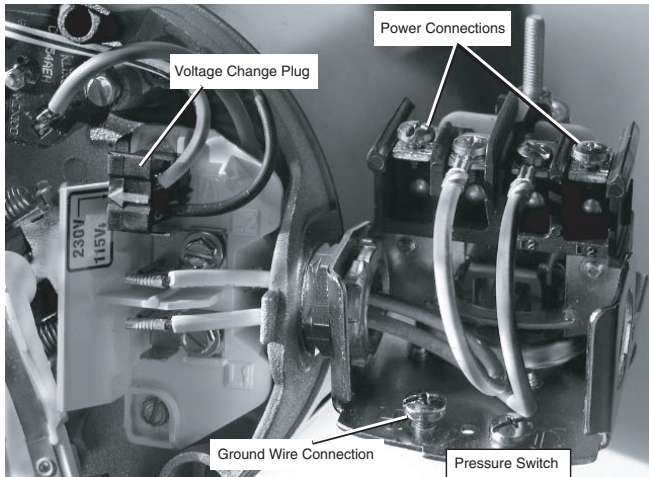
**⚠** Disconnect power before working on pump, motor, pressure switch, or wiring.

## MOTOR SWITCH SETTINGS

**NOTE:** 1/2 HP motors are wired for 115 volts only, and have no motor wiring to change. 3/4 HP or 1 HP motor terminal boards (located under the motor end cover) should look like one of those below. If the motor can operate at either 115 or 230 volts, it is set at the factory to 230 volts. Do not change motor wiring if line voltage is 230 volts, or if you have a single voltage motor.

**⚠ CAUTION** Never wire a 115 volt motor to a 230 volt line.

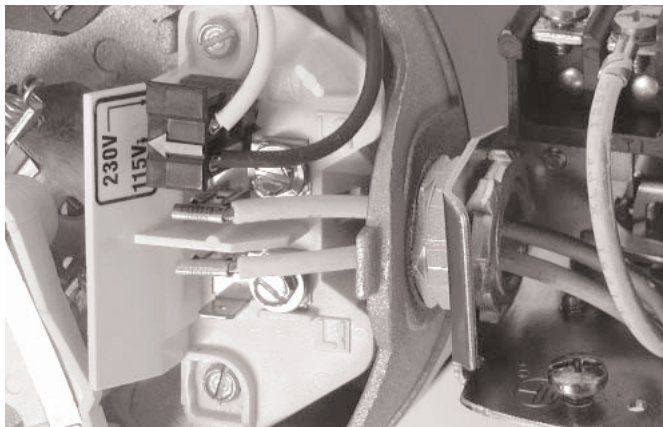
### Plug Type Voltage Selector



**Figure 6: Voltage set to 230 volts, Plug Type**

Voltage is factory set to 230 volts. To change to 115 volts:

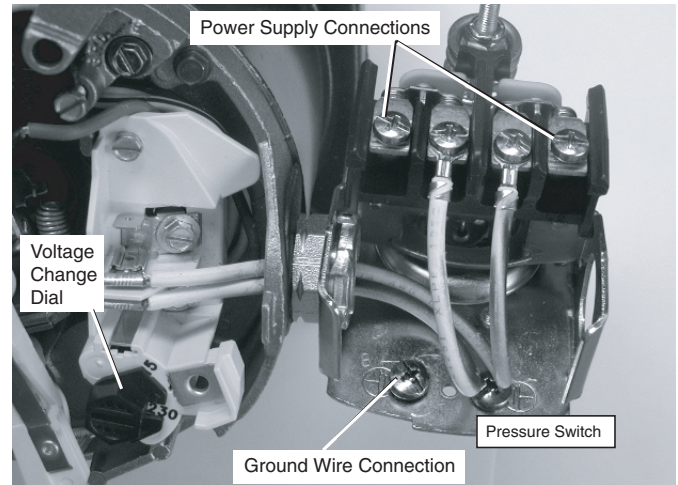
1. Make sure power is off.
2. Pull the voltage change plug off of the tabs.
3. Move the voltage change plug to the 115 volt position. The plug will now cover 2 metal tabs and the arrow on the plug will line up with the 115V arrow on the label (see Figure 7).



**Figure 7: Voltage set to 115 volts, Plug Type**

4. Attach the incoming power leads to the two outer screws on the pressure switch as shown in Figure 6.
5. Attach the ground wire to one of the grounding connections, shown in Figure 6.
6. If there are other wires, they should be capped.
7. Reinstall the Motor end cover.

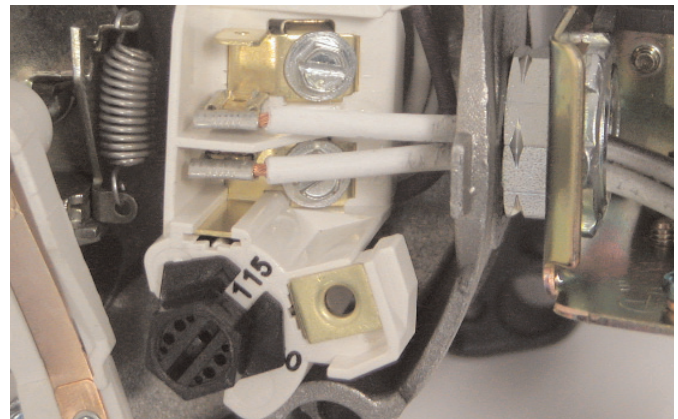
### Dial Type Voltage Selector



**Figure 8: Voltage set to 230 volts, Dial Type**

Voltage is factory set to 230 volts. To change to 115 volts:

1. Make sure power is off.
2. Turn the dial counter-clockwise until 115 shows in the dial window as shown in Figure 9.



**Figure 9: Voltage set to 115 volts, Dial Type**

3. Attach the incoming power leads to the two outer screws on the pressure switch as shown in Figure 8.
4. Attach the ground wire to the grounding connections as shown in Figure 8.
5. If there are other wires, they should be capped.
6. Reinstall the Motor end cover.

**⚠ WARNING** Hazardous voltage. Can shock, burn, or kill. Connect ground wire before connecting power supply wires. Use the wire size (including the ground wire) specified in the wiring chart. If possible, connect the pump to a separate branch circuit with no other appliances on it.

**⚠ WARNING** Explosion hazard. Do not ground to a gas supply line.

## WIRING CONNECTIONS

**⚠ WARNING** Fire hazard. Incorrect voltage can cause a fire or seriously damage the motor and voids the warranty. The supply voltage must be within  $\pm 10\%$  of the motor nameplate voltage.

**NOTICE:** Dual-voltage motors are factory wired for 230 volts. If necessary, reconnect the motor for 115 volts, as shown. Do not alter the wiring in single voltage motors. Install, ground, wire, and maintain your pump in compliance with the United States National Electrical Code (NEC) or the Canadian Electrical Code (CEC), as applicable, and with all local codes and ordinances that apply. Consult your local building inspector for code information.

## Connection Procedure:

- Step 1. Connect the ground wire first as shown in Figure 6. The ground wire must be a solid copper wire at least as large as the power supply wires.
- Step 2. There must be a solid metal connection between the pressure switch and the motor for motor grounding protection. If the pressure switch is not connected to the motor, connect the green ground screw in the switch to the green ground screw under the motor end cover. Use a solid copper wire at least as large as the power supply wires.
- Step 3. Connect the ground wire to a grounded lead in a service panel, to a metal underground water pipe, to a metal well casing at least ten feet (3M) long, or to a ground electrode provided by the power company or the hydro authority.
- Step 4. Connect the power supply wires to the pressure switch as shown in Figure 6.

**You have just completed the wiring for your pump.**

**Please go to Page 9 for startup preparations.**

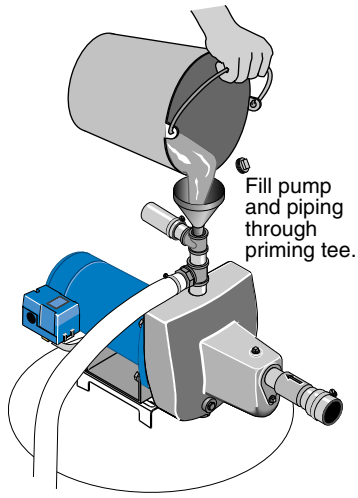
### Wiring Chart – Recommended Wire and Fuse Sizes

Model	Volts	Max. Load Amp	Branch Fuse Rating Amp	DISTANCE IN FEET(METERS) FROM MOTOR TO SUPPLY				
				0 - 100 (0 - 30)	101 - 200 (31 - 61)	201 - 300 (62 - 91)	301 - 400 (92 - 122)	401 - 500 (123 - 152)
				AWG WIRE SIZE (mm <sup>2</sup> )				
HNC-L	115/230	12.2/6.1	20/15	12/14 (3/2)	10/14 (5.5/2)	8/14 (8.4/2)	6/12 (14/3)	6/12 (14/3)
HND-L	115/230	14.8/7.4	20/15	12/14 (3/2)	8/14 (8.4/2)	6/14 (14/2)	6/12 (14/3)	4/10 (21/5.5)
HNE-L	115/230	19.9/10.0	25/15	10/14 (5.5/2)	8/14 (8.4/2)	6/12 (14/3)	4/10 (21/5.5)	4/10 (21/5.5)

### Wiring Chart – Recommended Wire and Fuse Sizes - HNX Series Pumps

Model	Volts	Max. Load Amp	Branch Fuse Rating Amp	DISTANCE IN FEET(METERS) FROM MOTOR TO SUPPLY				
				0 - 100 (0 - 30)	101 - 200 (31 - 61)	201 - 300 (62 - 91)	301 - 400 (92 - 122)	401 - 500 (123 - 152)
				AWG WIRE SIZE (mm <sup>2</sup> )				
HNDX	115/230	12.2/6.1	20/15	12/14 (3/2)	10/14 (5.5/2)	8/14 (8.4/2)	6/12 (14/3)	6/12 (14/3)
HNEX	115/230	14.8/7.4	20/15	12/14 (3/2)	8/14 (8.4/2)	6/14 (14/2)	6/12 (14/3)	4/10 (21/5.5)
HNFX	115/230	19.9/10.0	25/15	10/14 (5.5/2)	8/14 (8.4/2)	6/12 (14/3)	4/10 (21/5.5)	4/10 (21/5.5)





2351 0396

**Figure 10: Prime the Pump**

## PRIMING

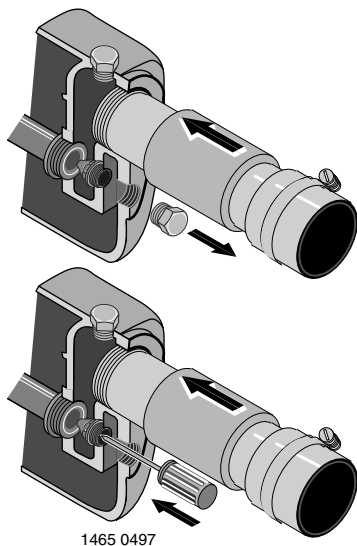
**⚠ WARNING** Never run pump against closed discharge. To do so can boil water inside pump, causing hazardous pressure in unit, risk of explosion and possibly scalding persons handling pump.

**⚠ CAUTION** Never run pump dry. Running pump without water may cause pump to overheat, damaging seal and possibly causing burns to persons handling pump. Fill pump with water before starting.

- Step 1. Remove the priming plug from the pump and fill the pump, fill all piping between the pump and the well, and make sure that all piping in the well is full. If you have also installed a priming tee in the suction piping, remove the plug from the tee and fill the suction piping.
- Step 2. Replace all fill plugs.
- Step 3. **Power on!** Start the pump. If you don't have water after 2 or 3 minutes, stop the pump and remove the fill plugs. Refill the pump and piping. You may have to repeat this several times in order to get all the trapped air out of the piping. A pump lifting water 25' may take as long as 15 minutes to prime.
- Step 4. After the pump has built up pressure in the system and shut off, check the pressure switch operation by opening a faucet or two and running enough water out to bleed off pressure until the pump starts. The pump should start when pressure drops to 30 PSI and stop when pressure reaches 50 PSI. Run the pump through one or two complete cycles to verify correct operation. This will also help clean the system of dirt and scale dislodged during installation.

## Congratulations on a successful installation.

If you were unsuccessful, please refer to the Troubleshooting section (Page 10) or call our customer service technical staff.



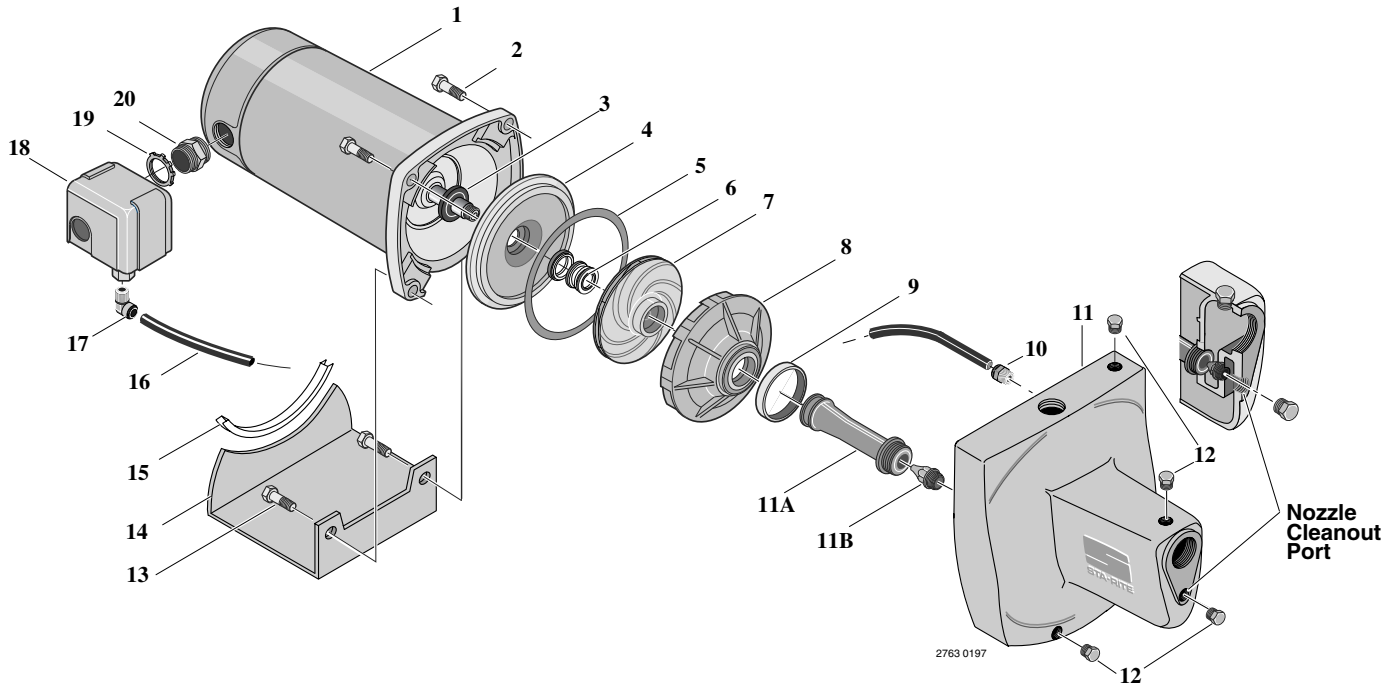
1465 0497

**Figure 11: Use Icepick or Brad Awl to Clean Out Nozzle**

### Nozzle Clean Out (Low Pressure)

Use an icepick or brad awl to clean out the nozzle – 3/16" maximum diameter (see Figure 11). Be sure you **DO NOT** enlarge the hole in the nozzle. Use teflon tape on plug when reassembling to seal it.

SYMPTOM	POSSIBLE CAUSE(S)	CORRECTIVE ACTION
Motor will not run	<p>Disconnect switch is off Fuse is blown or circuit breaker tripped Starting switch is defective Wires at motor are loose, disconnected, or wired incorrectly</p> <p>Pressure switch contacts are dirty</p>	<p>Be sure switch is on. Replace fuse or reset circuit breaker. DISCONNECT POWER; Replace starting switch. Refer to instructions on wiring (Pages 7 and 8). DISCONNECT POWER; check and tighten all wiring.</p> <p><b>⚠️ WARNING</b> Capacitor voltage may be hazardous. To discharge capacitor, hold insulated handle screwdriver BY THE HANDLE and short capacitor terminals together. Do not touch metal screwdriver blade or capacitor terminals. If in doubt, consult a qualified electrician. DISCONNECT POWER and file contacts with emery board or nail file.</p>
Motor runs hot and overload kicks off	<p>Motor is wired incorrectly Voltage is too low</p> <p>Pump cycles too frequently</p>	<p>Refer to instructions on wiring. Check with power company. Install heavier wiring if wire size is too small (See Electrical / Wiring Chart). See section below on too frequent cycling.</p>
<p>Motor runs but no water is delivered*</p> <p>* (Note: <i>Stop pump</i>; then check prime before looking for other causes. Unscrew priming plug and see if water is in priming hole).</p>	<p>Pump in new installation did not pick up prime through: 1. Improper priming 2. Air leaks 3. Leaking foot valve or check valve</p> <p>Pump has lost prime through: 1. Air leaks 2. Water level below suction pipe inlet</p> <p>Foot valve or strainer is plugged Ejector or impeller is plugged Check valve or foot valve is stuck shut Pipes are frozen Foot valve and/or strainer are buried in sand or mud Water level is too low for shallow well setup to deliver water</p>	<p>In new installation:</p> <ol style="list-style-type: none"> <li>1. Re-prime according to instructions.</li> <li>2. Check all connections on suction line, AVC, and ejector with soapy water or shaving cream.</li> <li>3. Replace foot valve or check valve.</li> </ol> <p>In installation already in use:</p> <ol style="list-style-type: none"> <li>1. Check all connections on suction line and shaft seal.</li> <li>2. Lower suction line into water and re-prime. If receding water level in well exceeds 25' (7.6M), a deep well pump is needed.</li> </ol> <p>Clean foot valve or strainer. Clean ejector or impeller. Replace check valve or foot valve. Thaw pipes. Bury pipes below frost line. Heat pit or pump house. Raise foot valve and/or strainer above bottom of water source. Clean foot valve and strainer. A deep well jet package may be needed (over 25 ft. to water) to deliver water.</p>
Pump does not deliver water to full capacity	<p>Water level in well is lower than estimated Steel piping (if used) is corroded or limed, causing excess friction Piping is too small in size Packed well point</p>	<p>A deep well jet will be needed if your well is more than 25' (7.6M) depth to water. Replace with plastic pipe where possible, otherwise with new steel pipe.</p> <p>Use larger piping. Backflush well point or sink new point.</p>
Pump delivers water but does not shut off or pump cycles too frequently	<p>Pressure switch is out of adjustment or contacts are welded together Faucets have been left open Venturi, nozzle or impeller is clogged Standard pressure tank is waterlogged and has no air cushion Pipes leak Foot valves leak Air charge too low in pre-charged tank</p>	<p>DISCONNECT POWER; adjust or replace pressure switch.</p> <p>Close faucets. Clean venturi, nozzle or impeller. Drain tank to air volume control port. Check AVC for defects. Check all connections for air leaks. Check connections. Replace foot valve. DISCONNECT POWER and open faucets until all pressure is relieved. Using tire pressure gauge, check air pressure in tank at valve stem located on the tank. If less than pressure switch cut-in setting (30-50 PSI), pump air into tank from outside source until air pressure is 2 PSI less than cut-in setting of switch. Check air valve for leaks (use soapy solution) and replace core if necessary.</p>
Air spurts from faucets	<p>Pump is picking up prime Leak in suction side of pump Well is gaseous Intermittent over-pumping of well. (Water drawn down below foot valve.)</p>	<p>When pump has picked up prime, it should pump solid water with no air. Suction pipe is sucking air. Check joints for leaks with soapy water. Consult factory about installing a sleeve in the well Lower foot valve if possible, otherwise restrict pump discharge</p>



## REPAIR PARTS LIST

Key No.	Part Description	Qty.	HNC-L 1/2 HP	HNDX 3/4 HP	HND-L 3/4 HP	HNEH 1 HP	HNE-L 1 HP	HNEFX 1-1/2 HP
1	Motor	1	J218-590PKG	J218-590PKG	J218-596PKG	J218-596PKG	J218-601PKG	J218-601PKG
2	Capscrew 3/8-16x1-1/4" Lg. Hex Hd.	4	U30-75ZP	U30-75ZP	-	-	-	-
2	Capscrew 3/8-16x1-1/2" Lg. Hex Hd.	2	-	-	U30-76ZP	U30-76ZP	U30-76ZP	U30-76ZP
3	Water Slinger	1	17351-0009	17351-0009	17351-0009	17351-0009	17351-0009	17351-0009
4	Seal Plate Assembly	1	N3-9	N3-9	L3-10	L3-10	L3-10	L3-10
5	Gasket, Seal Plate	1	N20-35	N20-35	C20-21	C20-21	C20-21	C20-21
6	Shaft Seal	1	U109-6A	U109-6A	U109-6A	U109-6A	U109-6A	U109-6A
7	Impeller	1	J105-42P	J105-42P	J105-8PAN	J105-8PAN	J105-22PA	J105-22PA
8	Volute Diffuser	1	L1-25P	L1-25P	L1-23P	L1-23P	L1-23P	L1-23P
9	Gasket, Diffuser	1	N20-34	N20-34	N20-34	N20-34	N20-34	N20-34
10	Quick Connect, 1/4" NPT	1	U11-217P	U11-217P	U11-217P	U11-217P	U11-217P	U11-217P
11	Pump Body Assembly*	1	N176-43B	N176-43B	N176-44	N176-44	N176-44A	N176-44A
11A	Venturi	1	N32P-75	N32P-75	N32P-64	N32P-64	N32P-65	N32P-65
11B	Nozzle	1	N34P-21 (#47)	N34P-21 (#47)	J34P-44 (#54)	J34P-44 (#54)	J34P-44 (#54)	J34P-44 (#54)
12	Pipe Plug, 1/4" NPT Hex Hd.	( )	U78-941ZPV(3)	U78-941ZPV(3)	U78-941ZPV(4)	U78-941ZPV(4)	U78-941ZPV(4)	U78-941ZPV(4)
13	Capscrew 3/8-16x1-1/2" Lg. Hex Hd.	2	-	-	U30-76ZP	U30-76ZP	U30-76ZP	U30-76ZP
14	Base	1	J4-9	J4-9	J4-9C	J4-9C	J4-9C	J4-9C
15	Rubber Pad	1	C35-5	C35-5	C35-5	C35-5	C35-5	C35-5
16	Tube, 1/4" I.D. (length varies)	1	U37-676P	U37-676P	U37-672P	U37-672P	U37-677P	U37-677P
17	Quick Connect Elbow, 1/4" NPT	1	U11-218P	U11-218P	U11-218P	U11-218P	U11-218P	U11-218P
18	Pressure Switch	1	U217-1216	U217-1216	U217-1216	U217-1216	U217-1216	U217-1216
19	Locknut, 1/2"	1	U36-112ZPP	U36-112ZPP	U36-112ZPP	U36-112ZPP	U36-112ZPP	U36-112ZPP
20	Connector	1	L43-5C	L43-5C	L43-5C	L43-5C	L43-5C	L43-5C
	• Diffuser Screw, #8-32x3/4"	3	-	-	U30-489SS	U30-489SS	U30-489SS	U30-489SS
	• Diffuser Washer, #8 Ext. Tooth	3	-	-	U43-21SS	-	U43-21SS	U43-21SS
	• Pulsation Plug	1	-	-	-	-	U17-1131	U17-1131

• Not illustrated.

\* Models HNC-L and HNDX require 3 pipe plugs; other models require 4 pipe plugs.

## LIMITED WARRANTY

Sta-Rite Industries warrants to the original consumer of the products listed below, that they will be free from defects in material and workmanship for the Warranty Period from the date of original installation or manufacture as noted.

<b>Product</b>	<b>Warranty Period</b>
Water Systems Products – jet pumps, small centrifugal pumps, submersible pumps and related accessories	<i>whichever occurs first:</i> 1 year from date of original installation, or 2 years from date of manufacture
Hydro-Flow Filters	1 year from date of purchase
Signature 2000 Fibrewound Tanks	5 years from date of original installation
Pro-Source Steel Pressure Tanks	5 years from date of original installation
Pro-Source Epoxy-Line Tanks	3 years from date of original installation
Sump/Sewage/Effluent Products	1 year from date of original installation, or 2 years from date of manufacture

Our warranty will not apply to any product that has been subject to negligence, misapplication, improper installation or maintenance. In the event a three phase submersible motor is operated with single phase power through a phase converter, or if three-leg ambient compensated, extra-quick trip overload relays of recommended size are not used, our warranty is void.

Buyer's only remedy and Sta-Rite Industries' only duty is to repair or replace defective products (at Sta-Rite Industries' choice). Buyer agrees to pay all labor and shipping charges associated with this warranty and to request warranty service through the installing dealer as soon as a problem is discovered. If warranty service is requested more than 30 days after the Warranty Period has ended, it will not be honored.

STA-RITE INDUSTRIES SHALL NOT BE LIABLE FOR ANY CONSEQUENTIAL, INCIDENTAL, OR CONTINGENT DAMAGES WHATSOEVER.

THE FOREGOING WARRANTIES ARE EXCLUSIVE AND IN LIEU OF ALL OTHER EXPRESS WARRANTIES. IMPLIED WARRANTIES, INCLUDING BUT NOT LIMITED TO THE IMPLIED WARRANTIES OF MERCHANTABILITY AND FITNESS FOR A PARTICULAR PURPOSE, SHALL NOT EXTEND BEYOND THE WARRANTY PERIOD PROVIDED HEREIN.

Certain states do not permit the exclusion or limitation of incidental or consequential damages or the placing of limitations on the duration of an implied warranty, therefore, the limitations or exclusions herein may not apply. This warranty sets forth specific legal rights and obligations, however, additional rights may exist, which may vary from state to state.

Supersedes all previous publications.

**Sta-Rite Industries, 293 Wright St., Delavan, WI 53115**