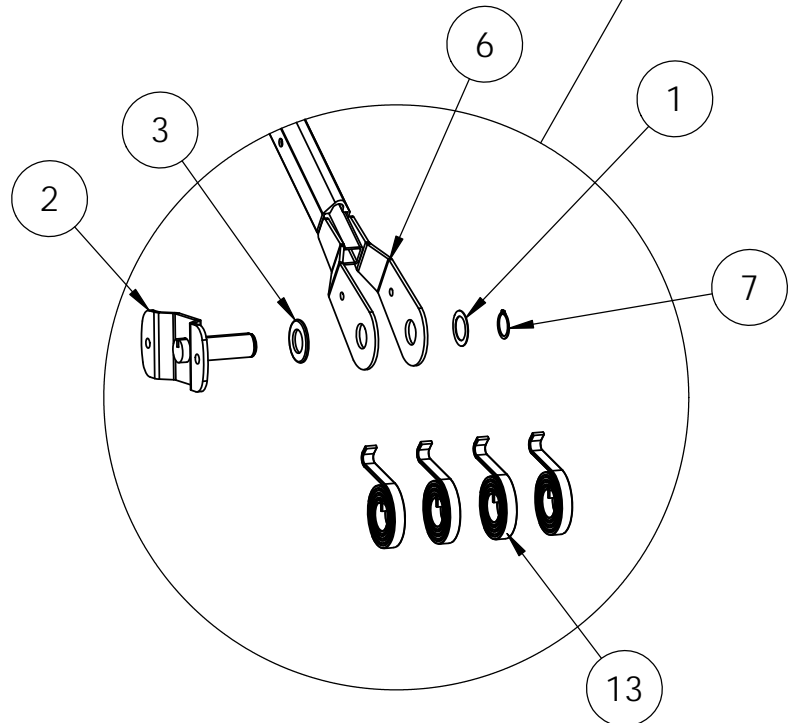


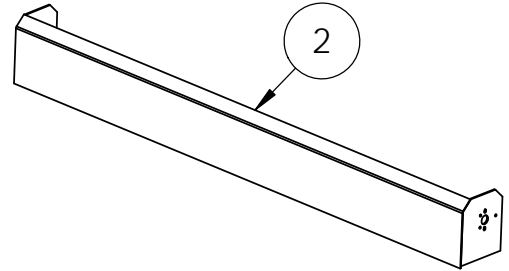
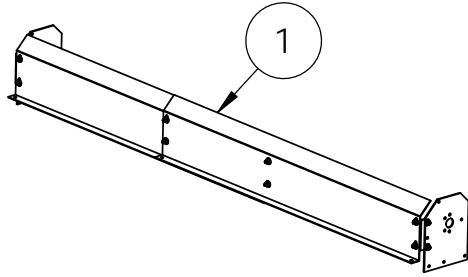
ITEM NO.	PART NUMBER	PART TITLE
1	223205	THRUST WASHER
2	224650 224655	4-SPRING PIVOT MOUNT 5-SPRING PIVOT MOUNT
3	406750	1" USS WASHER
4	110099	ELBOW 90 DEGREE CORNER
5	119517	UPPER ARM 88" (STRAIGHT)*
6	227600 127601	4 SPRING PIVOT ARM 5 SPRING PIVOT ARM
7	223210	1 1/4" SNAP RING
8	118317	ROLLER TUBE
9	229000	GROUND CONTROL HANDLE ASSEMBLY*
10	224005	DRIVESHAFT ASSEMBLY
11	105075-13	#40 CHAIN
12	116355	3/4" SIDE MOUNT BEARING
13	224200	TORSION SPRING
14	118710	3/4" ROLLER END
15	119504	ECONO LOWER ARM
16	118951	ALUMINUM ROLLER PLATE*
17	119540	CROSSBAR 104"
18	114453	RUBBER ARM BUMPER



*OPTIONAL UPGRADE AVAILABLE (SEE PAGE 2)

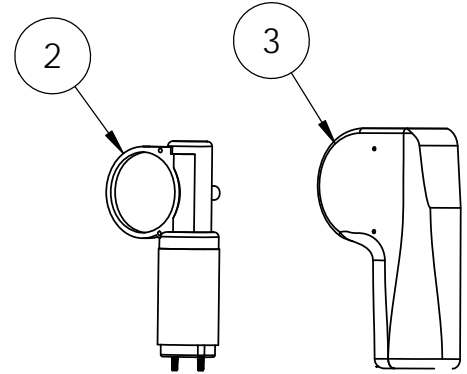
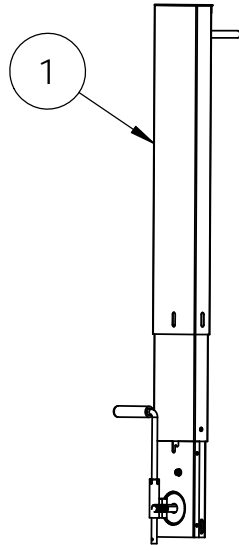
FRONT OPTIONS

ITEM NO.	PART NO.	PART TITLE
1	FLIPSOSHIELDS	ADJUSTABLE SHIELD ASSEMBLY
2	118750 118751	TRAILER HEADER 96" TRAILER HEADER 101"



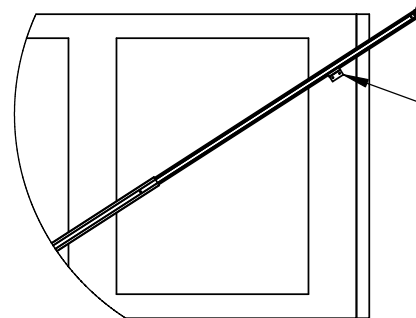
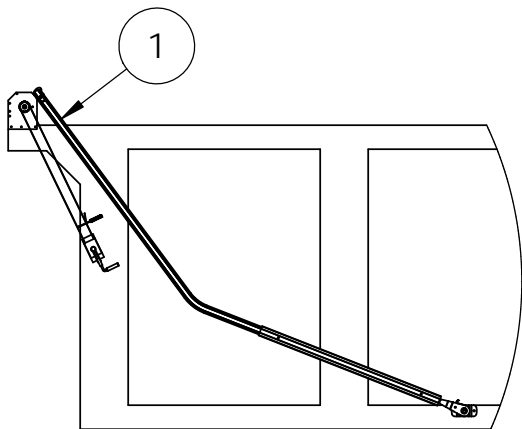
DRIVE OPTIONS

ITEM NO.	PART NO.	PART TITLE
1	114200	ADJUSTABLE CRANK UNIT
2	164905	600W ELECTRIC MOTOR
3	164914	600W / 900W MOTOR COVER



BENT ARM & REAR ARM SUPPORT

ITEM NO.	PART NO.	PART TITLE
1	119518 119522	BENT UPPER ARM 88" BENT UPPER ARM PNEUMATIC LIFT
2	118210	REAR ARM SUPPORT



NOTE: ONLY REQUIRED
WHEN ARMS EXTEND PAST
TAILGATE

