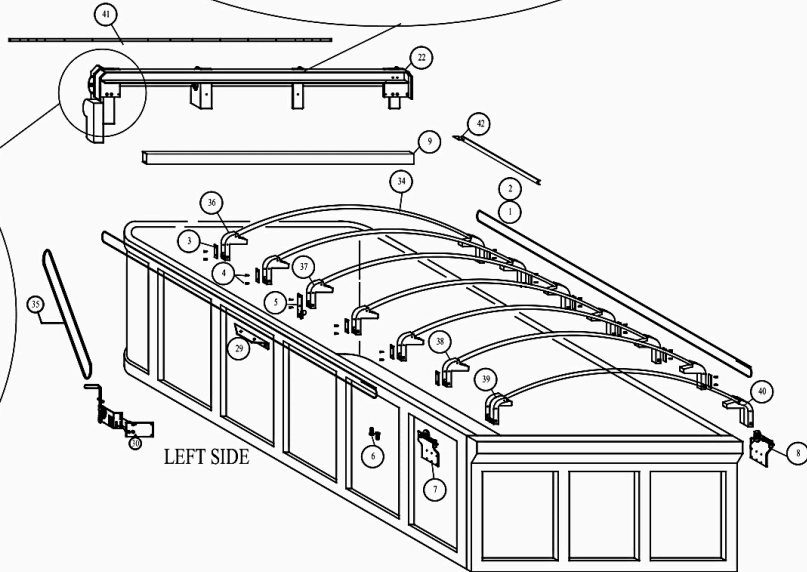
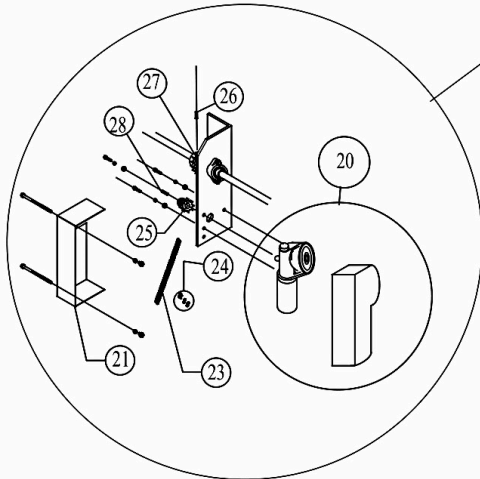
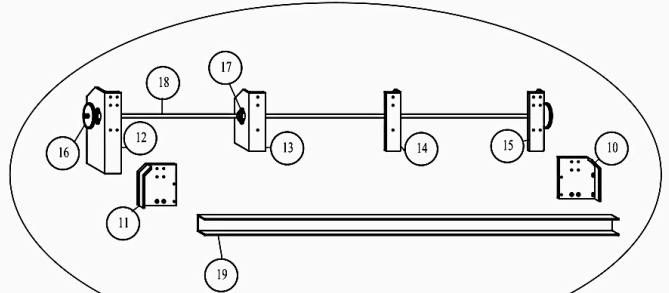


MANUAL SET UP



LEFT SIDE

REAR

ITEM	PART #	DESCRIPTION	ITEM	PART #	DESCRIPTION
1	106200	1/4" GALVANIZED STEEL CABLE	22	*****	SEE PART LIST #601500 - 601510 FOR FRONT ASSEMBLIES
2	106201	1/4" STAINLESS STEEL CABLE	23	601400	NICKEL PLATED #50 22" CHAIN WITH MASTER LINK
3	604100	TARP HOLD DOWN PLATE	24	601405	#50 MASTER LINK
4	411110	#10 X 1" TRUSS HEAD SCREWS	25	601410	SPROCKET #50BS9-3/4" BORE
5	604010	ANTI LIFT CLIPS	26	413435	5/16" X 2 1/2" ROLL PIN ZINC PLATED
6	106206	1/4" CABLE CLAMPS	27	601415	SPROCKET #50B18-1" BORE
7	107765	ADJUSTABLE REAR BRACKET ASSEMBLY LEFT	28	160000	KEYSTOCK 3/16"
8	107760	ADJUSTABLE REAR BRACKET ASSEMBLY RIGHT	29	109028	ANTI-LIFT ALUMINUM GUIDE
9	*****	SEE PART LIST #600005-600008 FOR 2 X 4 BEAM	30	*****	SEE PAGE 13 FOR CHAIN HANDLE ASSEMBLY
10	601066	FRONT ASSEMBLY END BRACKET RIGHT	31	601409	3/4" X 5" SHAFT WITH 1/4" KEYWAY
11	601065	FRONT ASSEMBLY END BRACKET LEFT	32	116355	BEARING 3/4" SIDE MOUNT
12	601004	DRIVE ANGLE LEFT	33	600000	ADJ UPPER SPROCKET 40B38-3/4B
13	601033	SHAFT ALUM INNER SUPPORT ANGLE LEFT	34	*****	SEE PART LIST #602010 - 602017 FOR BOWS
14	601032	SHAFT ALUM INNER SUPPORT ANGLE RIGHT	35	105075	CHAIN #40 NICKEL PLATED
15	601031	SHAFT ALUMINUM SUPPORT ANGLE LEFT	36	602001	BOW END STANDARD
16	105004	CABLE PULLEY 5"	37	602002	BOW END ANTI LIFT
17	116050	BEARING 1" SIDE MOUNT	38	602003	BOW END REAR
18	*****	SEE PART LIST #103015 - 103030 FOR SHAFT MATERIAL	39	602004	BOW END REAR CAP ASSEMBLY LEFT
19	*****	SEE PART LIST #601045 - 601060 FOR CROSS CHANNEL	40	602005	BOW END REAR CAP ASSEMBLY RIGHT
20	164903	2.1 HP MOTOR ASSEMBLY	41	*****	SEE PARTS LIST #604200-604204 FOR TARP ATTACH STRIP
21	600001	CHAIN COVER	42	109300	RAMP