

INSTRUCTIONS

POSI-CLOSE*

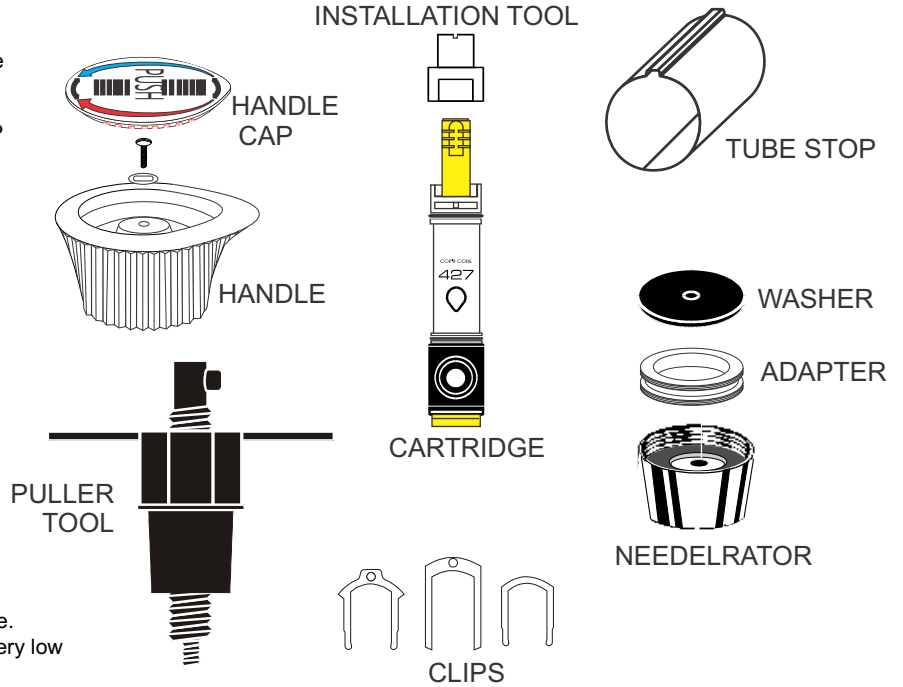
SELF-CLOSING CARTRIDGE TO FIT MOEN*
THE ULTIMATE WATER SAVER

GENERAL INSTRUCTIONS

1. This cartridge installs just like any other MOEN* single handle cartridge, but it operates in reverse in that YOU PUSH THE HANDLE DOWN TO TURN ON THE FAUCET.
2. WHEN THE HANDLE IS RELEASED IT WILL POP BACK UP TURNING OFF THE WATER IMMEDIATELY. ITS NORMAL MODE IS OFF.

STEP BY STEP INSTRUCTIONS

1. Turn off water supply to faucet, remove handle cap & retaining screw, pull off handle and remove the tube stop.
2. Using screw driver or pliers slide out retaining clip.
3. Re-install handle using handle screw. Pull up on handle pulling the cartridge out of faucet. If cartridge does not slide out then a puller tool will be needed for removal.
4. Clean faucet area where cartridge will be installed.
5. Insert new cartridge completely while aligning its tabs to match faucet body (use white plastic tool provided) so that the retaining clip can be installed.
6. Install retainer clip, tube stop and handle assembly using new parts (if provided). (Note: You may have extra parts - discard what does not match your old ones)
7. Turn on water to test - if hot and cold are in reverse, remove handle, rotate the brass stem 180 degrees and reinstall handle.
8. For maximum water savings, install the NEEDELRATOR* very low volume faucet end piece. (If provided)



* REGISTERED/NON-REGISTERED TRADEMARK OR TRADE NAME OF THE FAUCET OR MANUFACTURER WHICH ACCEPTS THIS PART OR KIT. NOTE: PLEASE DO NOT CONFUSE US WITH THIS COMPANY.

IHS-M064-101504

INSTRUCTIONS

POSI-CLOSE*

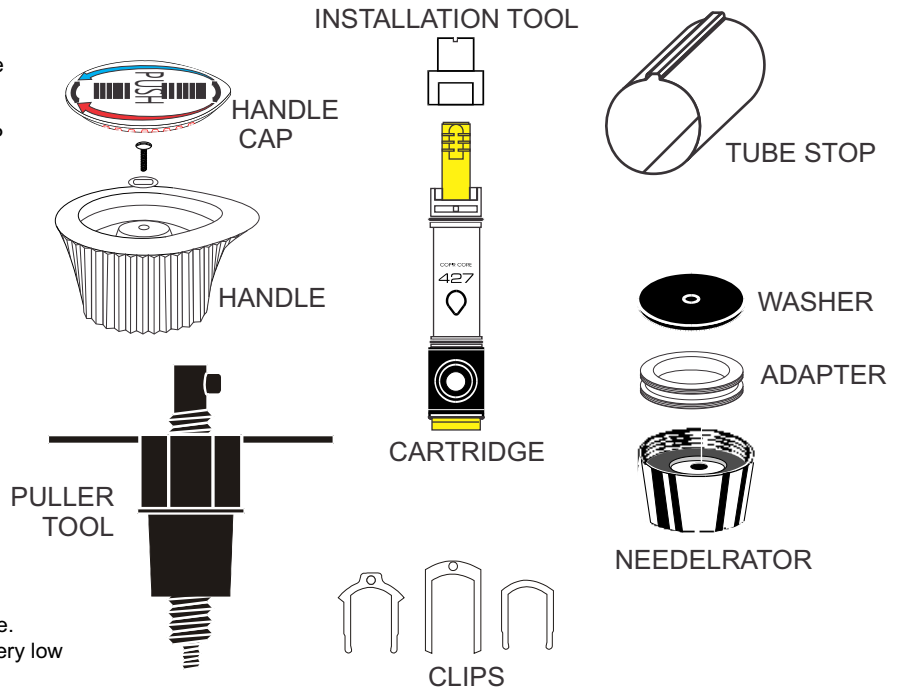
SELF-CLOSING CARTRIDGE TO FIT MOEN*
THE ULTIMATE WATER SAVER

GENERAL INSTRUCTIONS

1. This cartridge installs just like any other MOEN* single handle cartridge, but it operates in reversal in that YOU PUSH THE HANDLE DOWN TO TURN ON THE FAUCET.
2. WHEN THE HANDLE IS RELEASED IT WILL POP BACK UP TURNING OFF THE WATER IMMEDIATELY. ITS NORMAL MODE IS OFF.

STEP BY STEP INSTRUCTIONS

1. Turn off water supply to faucet, remove handle cap & retaining screw, pull off handle and remove the tube stop.
2. Using screw driver or pliers slide out retaining clip.
3. Re-install handle using handle screw. Pull up on handle pulling the cartridge out of faucet. If cartridge does not slide out then a puller tool will be needed for removal.
4. Clean faucet area where cartridge will be installed.
5. Insert new cartridge completely while aligning its tabs to match faucet body (use white plastic tool provided) so that the retaining clip can be installed.
6. Install retainer clip, tube stop and handle assembly using new parts (if provided). (Note: You may have extra parts - discard what does not match your old ones)
7. Turn on water to test - if hot and cold are in reverse, remove handle, rotate the brass stem 180 degrees and reinstall handle.
8. For maximum water savings, install the NEEDELRATOR* very low volume faucet end piece. (If provided)



* REGISTERED/NON-REGISTERED TRADEMARK OR TRADE NAME OF THE FAUCET OR MANUFACTURER WHICH ACCEPTS THIS PART OR KIT. NOTE: PLEASE DO NOT CONFUSE US WITH THIS COMPANY.

IHS-M064-101504