

Parts included in the Renewal Kit - KIT308C for three handle shower replacement

Tools and Materials needed:

- Flat Head Screwdriver
- Phillips head screwdriver
- Pliers
- Plumber's putty (tape)



INSTRUCTIONS

Step 1: Remove all the parts from the box

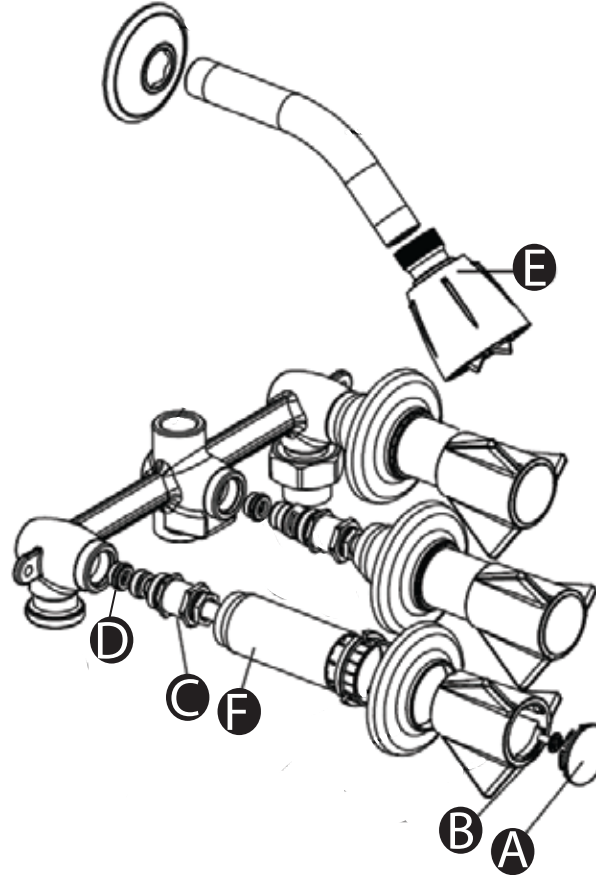
Step 2: Using a flat object pry loose the handle cap (A). Then remove the screw holding the handle, remove handle, escutcheon and escutcheon holder (B)

Step 3: Using a penetrating oil or water displacing spray, coat the area where the existing stem is installed to the valve.

Step 4: Use pliers to remove the installed cartridge (C) and the tool included with the renewal kit to remove the seat(D). Repeat these steps for both Hot, Cold and diverter stems and seats.

Step 5: Install the new parts. Remove existing showerhead (E) and replace with new showerhead.

OLD SAYCO 308



NEW SAYCO 308C



Parts Breakdown

- A: Handle Cap
- B: Stem Screw
- C: Stem
- D: Seat
- E: Shower Head
- F: Sleeve

SHOWER RENEWAL KITS

TWO AND THREE HANDLE

KITS AVAILABLE:

KIT308C for 308-2.0 or 308L-2.0

KIT208C for 208H-2.0 or 208HL-2.0

www.briggsplumbing.com



SHOWER RENEWAL KITS

ALL NEW DESIGNS

SHOWER RENEWAL KITS



SEAT REMOVAL TOOL INCLUDED

UPGRADE YOUR BATH FAUCET WITH CONTEMPORARY FAUCETS



BRIGGS SERIES B300 AVAILABLE IN CHROME AND BRUSHED NICKEL

TIRED OF YOUR CURRENT SHOWER??
Convert 308-2.0 to the ALL NEW 308C



UPGRADE
YOUR SAYCO® SHOWER

WITH ALL NEW:

- HANDLES
- SHOWERHEADS
- CERAMIC CARTRIDGES

Complete Valves with Trim Kits Available

www.briggsplumbing.com