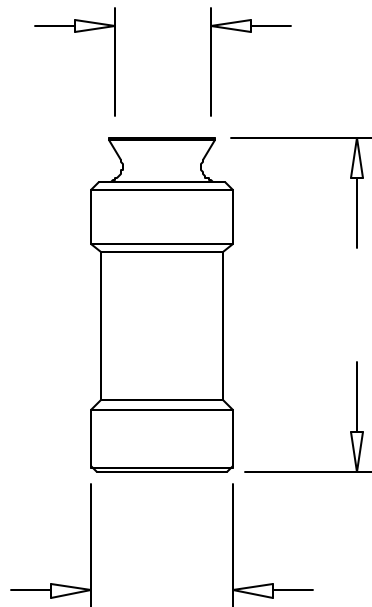


meaden

Standard File Hole Punches

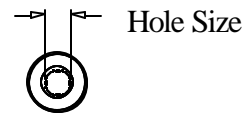
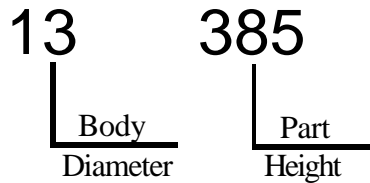
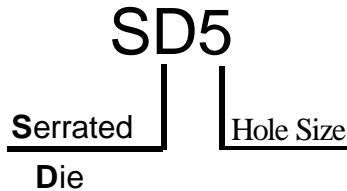
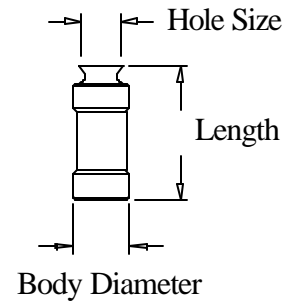
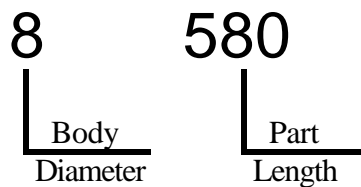
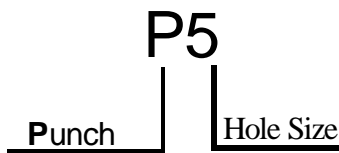


meaden
Products for the Printing Industry
210 West 83rd Street
Burr Ridge, Illinois 60521
Telephone: 630/655-0888
FAX: 630/655-3012
www.meadenprinting.com

HOW TO ORDER from **meaden**

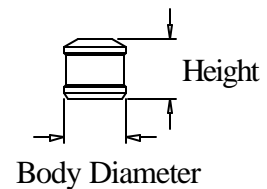
Our part numbering system is designed to be descriptive, accurate and easy to use.

Example: Part Number P5-8-580 punch or Part Number SD5-13-385 die.



The first letter indicates the item:

- P** = Punch
- DP** = Longlife Punch (DuraPunch)
- SD** = Serrated Die
- D** = plain Die
- DD** = Long Life Die (DuraDie)



The first set of numbers indicates the size of the hole measured to the nearest 1/32 of an inch.

For example: **5** = 5/32" = .156",
6 = 6/32" (3/16") = .187"

The second set of numbers indicates the body diameter of the part measured to the nearest 1/32 of an inch.

For example: **8** = 8/32" (1/4") = .250",
13 = 13/32" or = .406"

The last set of numbers indicates the length or height of the part measured as a decimal inch.

For example: **580** = .580 inches long
385 = .385 inches long

It is always helpful to identify the press that the part is used with. Most round dies are stocked as serrated. Where plain dies are available, the 'D' is used without the 'S' to indicate a plain die.

Meaden Return Policy

Stocked, standard catalog items may be returned within 30 days of invoice, subject to a 10% restocking charge. All returns must be in resellable condition and in their original packaging. Open packages are not returnable. An Authorized Return Form (ARF) number must be issued before a return will be accepted. Credits will be issued only after the approval of Quality Control. Any product that does not meet these requirements will be returned to the customer.

No specials of any kind are returnable! Specials made per your instructions are not stock items, and not returnable. Examples of specials are irregular shaped punches and dies, and all special cut perforator wheels.

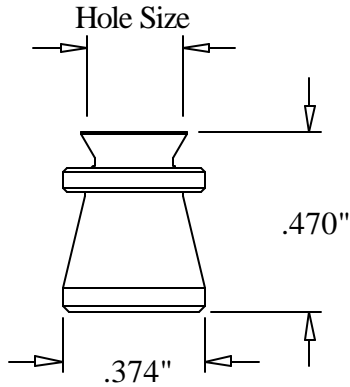
ALL PRICES SUBJECT TO CHANGE WITHOUT NOTICE!

File Hole Punches

press brand	page no.
A.T.F.	45
ASHTON	39
DIDDE	41, 42
DRENT	45
GOEBEL	47
HAMILTON	40
IMER	45
KLUGE	41
MEISEL	45
MIYAKOSHI	45
MORGAN	45
MULLER/MARTINI	45
RDP MARATHON	39
ROTATEK	45
SANDEN	45
SCHRIBER/HARRIS	44, 45
STEVENS	43
SUPER WEB	41
TAIYO	45
WESTERN GEAR C3C	45
WESTERN GEAR SPEEDFLEX	45
WITT	46

Punches & Dies

ASHTON - RDP MARATHON

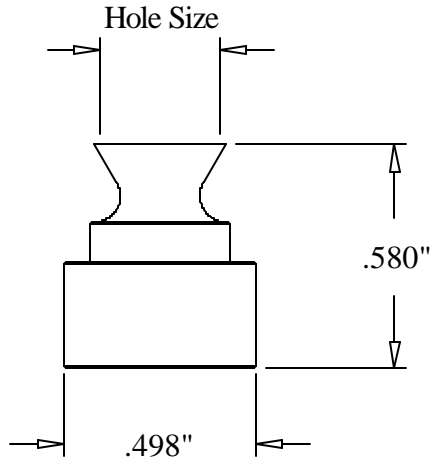


File Hole Punches

Hole Size	Part Number	Diameter	Height
1/8"	P4 - 12 - 470	.375"	.470"
5/32"	P5 - 12 - 470	.375"	.470"
3/16"	P6 - 12 - 470	.375"	.470"
7/32"	P7 - 12 - 470	.375"	.470"
1/4"	P8 - 12 - 470	.375"	.470"
9/32"	P9 - 12 - 470	.375"	.470"
5/16"	P10 - 12 - 470	.375"	.470"
11/32"	P11 - 12 - 470	.375"	.470"
3/8"	P12 - 12 - 470	.375"	.470"
13/32"	P13 - 12 - 470	.375"	.470"
7/16"	P14 - 12 - 470	.375"	.470"
1/2"***	P16 - 12 - 470	.375"	.470"

Punches & Dies

HAMILTON

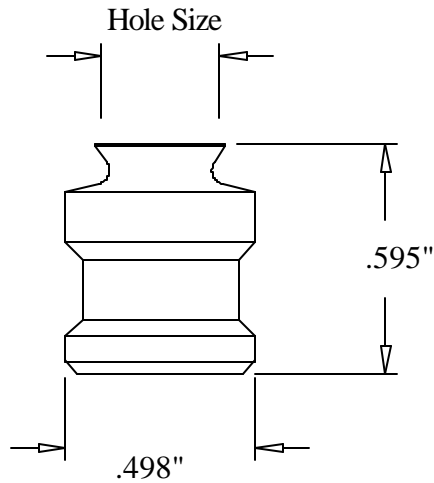


File Hole Punches

Hole Size	Part Number	Diameter	Length
1/8"	P4 - 16 - 580	.498"	.580"
5/32"	P5 - 16 - 580	.498"	.580"
3/16"	P6 - 16 - 580	.498"	.580"
7/32"	P7 - 16 - 580	.498"	.580"
1/4"	P8 - 16 - 580	.498"	.580"
9/32"	P9 - 16 - 580	.498"	.580"
5/16"	P10 - 16 - 580	.498"	.580"
11/32"	P11 - 16 - 580	.498"	.580"
3/8"	P12 - 16 - 580	.498"	.580"
13/32"	P13 - 16 - 580	.498"	.580"
7/16"	P14 - 16 - 580	.498"	.580"
1/2"***	P16 - 16 - 580	.498"	.580"

Punches & Dies

DIDDE - KLUGE - SUPERWEB

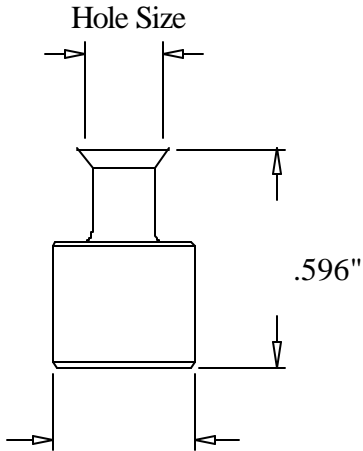


File Hole Punches

Hole Size	Part Number	Diameter	Height
1/8"	P4 - 16 - 595	.498"	.595"
5/32"	P5 - 16 - 595	.498"	.595"
3/16"	P6 - 16 - 595	.498"	.595"
7/32"	P7 - 16 - 595	.498"	.595"
1/4"	P8 - 16 - 595	.498"	.595"
9/32"	P9 - 16 - 595	.498"	.595"
5/16"	P10 - 16 - 595	.498"	.595"
11/32"	P11 - 16 - 595	.498"	.595"
3/8"	P12 - 16 - 595	.498"	.595"
13/32"	P13 - 16 - 595	.498"	.595"
7/16"	P14 - 16 - 595	.498"	.595"
1/2" **	P16 - 16 - 595	.498"	.595"

Punches & Dies

DIDDE Apollo Press



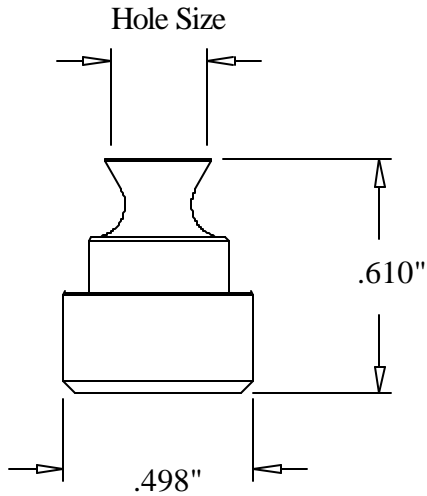
File Hole Punches

Hole Size	Part Number	Diameter	Height
1/4"	P8 - 16 - 596	.498"	.596"
9/32"	P9 - 16 - 596	.498"	.596"
5/16"	P10 - 16 - 596	.498"	.596"

Apollo Press uses standard Didde File hole dies

Punches & Dies

STEVENS

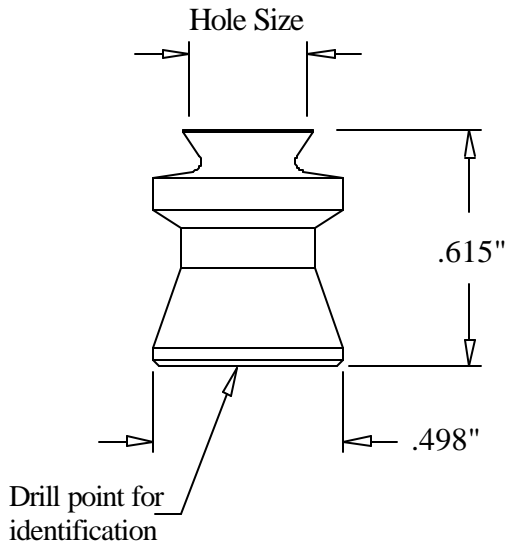


File Hole Punches

Hole Size	Part Number	Diameter	Height
1/8"	P4 - 16 - 610	.498"	.610"
5/32"	P5 - 16 - 610	.498"	.610"
3/16"	P6 - 16 - 610	.498"	.610"
7/32"	P7 - 16 - 610	.498"	.610"
1/4"	P8 - 16 - 610	.498"	.610"
9/32"	P9 - 16 - 610	.498"	.610"
5/16"	P10 - 16 - 610	.498"	.610"
11/32"	P11 - 16 - 610	.498"	.610"
3/8"	P12 - 16 - 610	.498"	.610"
13/32"	P13 - 16 - 610	.498"	.610"
7/16"	P14 - 16 - 610	.498"	.610"
1/2"***	P16 - 16 - 610	.498"	.610"

Punches & Dies

STOCKTAB

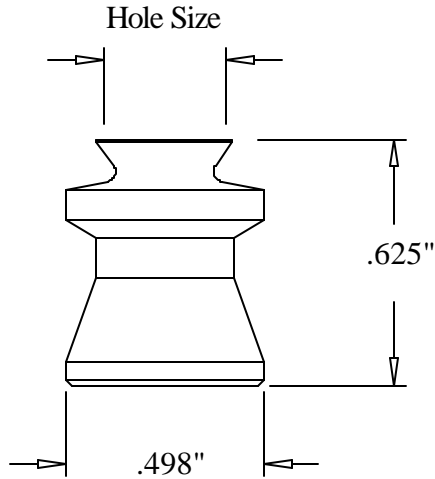


File Hole Punches

Hole Size	Part Number	Diameter	Length
1/4"	P8 -16 -615	.498"	.615"
5/16"	P10 -16 -615	.498"	.615"
3/8"	P12 -16 -615	.498"	.615"

For Stock Tab Press

Punches & Dies



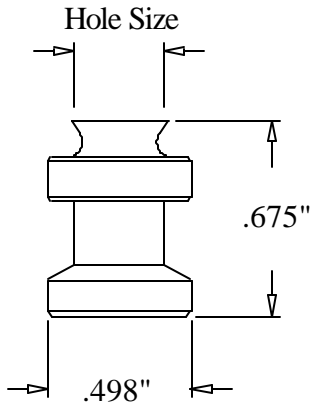
File Hole Punches

Hole Size	Part Number	Diameter	Height
1/8"	P4 - 16 - 625	.498"	.625"
5/32"	P5 - 16 - 625	.498"	.625"
3/16"	P6 - 16 - 625	.498"	.625"
7/32"	P7 - 16 - 625	.498"	.625"
1/4"	P8 - 16 - 625	.498"	.625"
9/32"	P9 - 16 - 625	.498"	.625"
5/16"	P10 - 16 - 625	.498"	.625"
11/32"	P11 - 16 - 625	.498"	.625"
3/8"	P12 - 16 - 625	.498"	.625"
13/32"	P13 - 16 - 625	.498"	.625"
7/16"	P14 - 16 - 625	.498"	.625"
1/2"***	P16 - 16 - 625	.498"	.625"

A.T.F.
DRENT
GRAPHA/
MULLER/MARTINI
SCHRIBER/HARRIS
IMER
MIYAKOSHI
MORGAN
ROTATEK
SANDEN
TAIYO
WESTERN GEAR

Punches & Dies

WITT

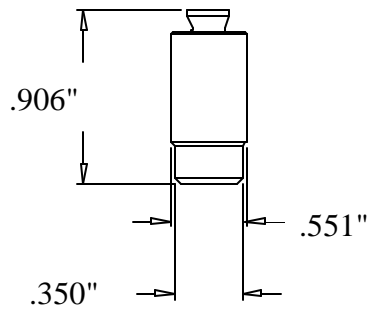
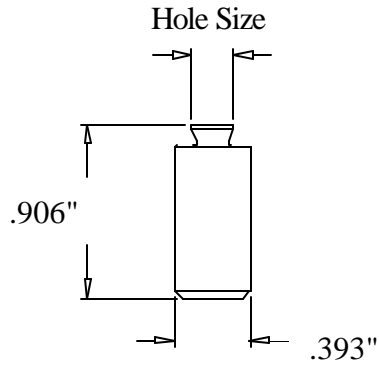


File Hole Punches

Hole Size	Part Number	Diameter	Height
1/4"	P8 - 16 - 675	.498"	.675"
9/32"	P9 - 16 - 675	.498"	.675"
5/16"	P10 - 16 - 675	.498"	.675"
11/32"	P11 - 16 - 675	.498"	.675"
3/8"	P12 - 16 - 675	.498"	.675"
13/32"	P13 - 16 - 675	.498"	.675"
7/16"	P14 - 16 - 675	.498"	.675"

Punches & Dies

GOEBEL



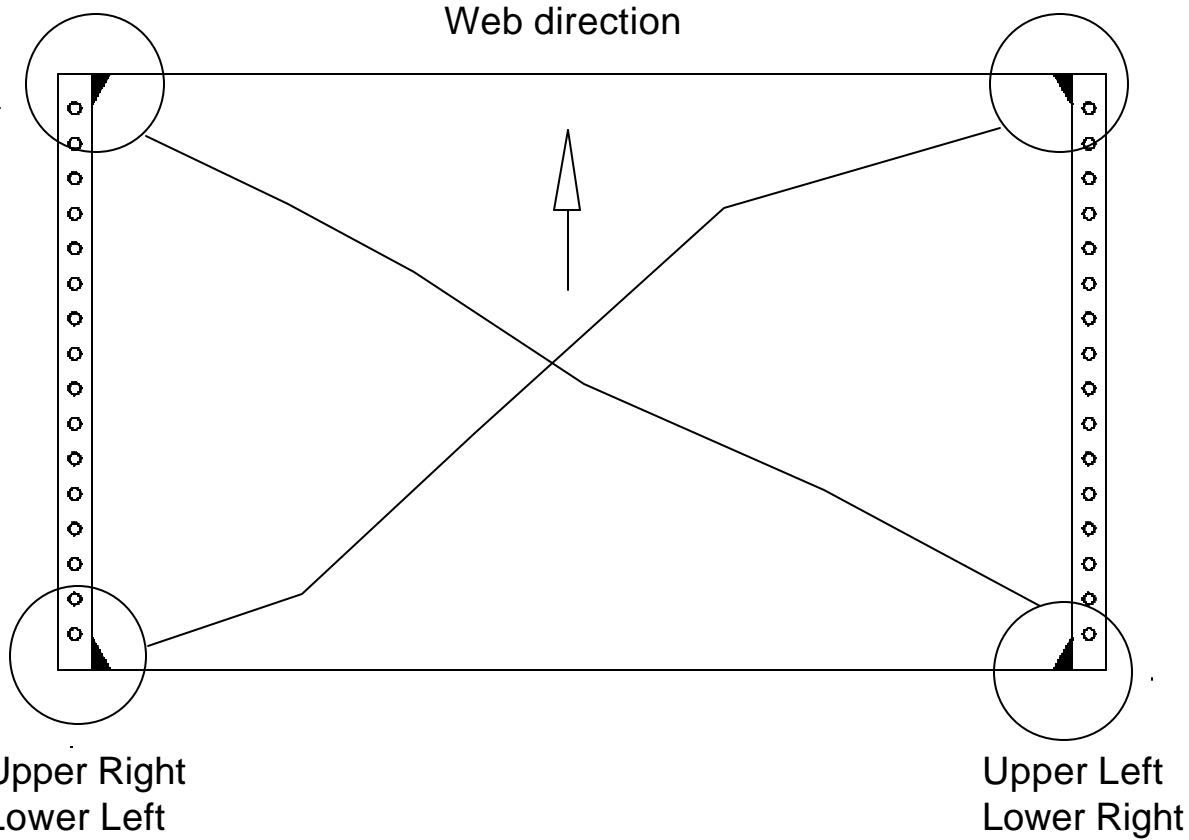
File Hole Punches

Part Number	Hole Size	Diameter	Length
15123	5.5 mm	.393	.906
15127	5.5 mm	.551	.906
15666	6.0 mm	.551	.906
15668	8.0 mm	.551	.906

WHICH TRIANGLE TO ORDER?

Upper Left
Lower Right

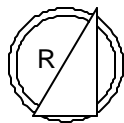
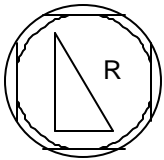
Upper Right
Lower Left



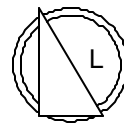
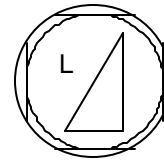
Order RD - ____ and RP - ____

Order LD - ____ and LP - ____

Enter body diameter in blank area. For example, RD-390 or RP-625



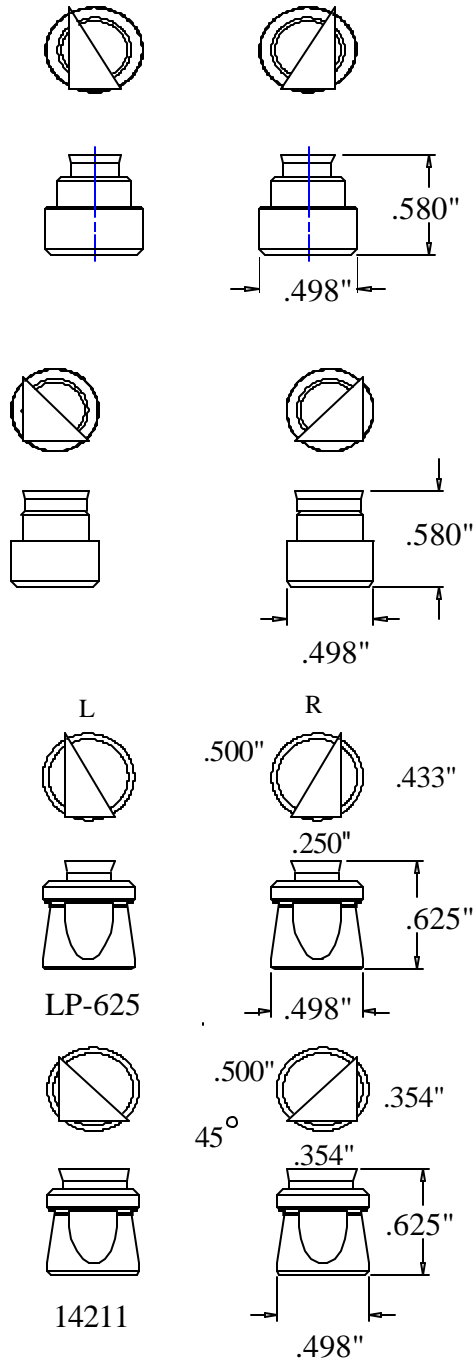
View of Die and Punch from top



View of Die and Punch from top

Punches & Dies

SEE PAGE 56 FOR ORDERING INFORMATION

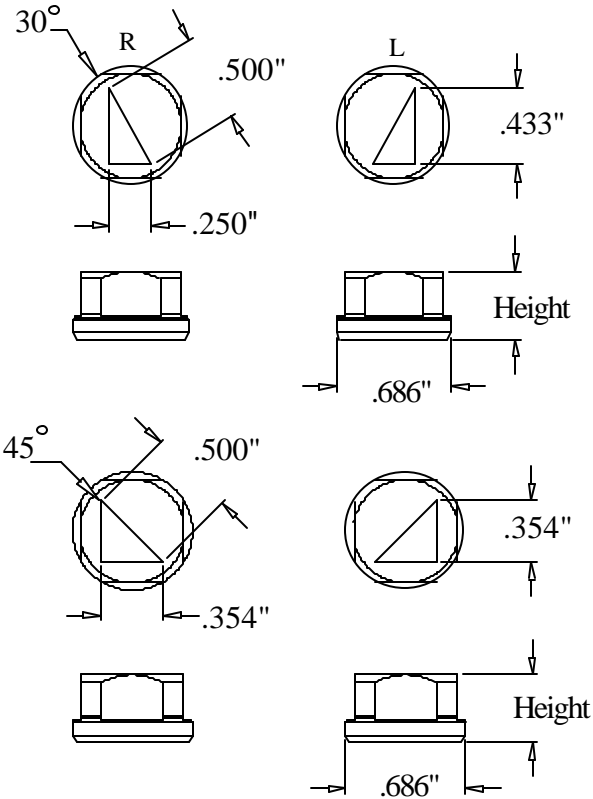


Triangle Punches

Degree	Part Number	Position	Diameter	Length
30/60/90	RP-470	Right	.375"	.470"
30/60/90	LP-470	Left	.375"	.470"
45/45/90	15076	Both	.375"	.470"
30/60/90	RP-580	Right	.498"	.580"
30/60/90	LP-580	Left	.498"	.580"
45/45/90	14993	Both	.498"	.580"
30/60/90	RP-595	Right	.498"	.595"
30/60/90	LP-595	Left	.498"	.595"
45/45/90	14009	Both	.498"	.595"
30/60/90	RP-610	Right	.498"	.610"
30/60/90	LP-610	Left	.498"	.610"
45/45/90	15227	Both	.498"	.610"
30/60/90	RP-625	Right	.498"	.625"
30/60/90	LP-625	Left	.498"	.625"
45/45/90	14211	Both	.498"	.625"

Punches & Dies

SEE PAGE 56 FOR ORDERING INFORMATION



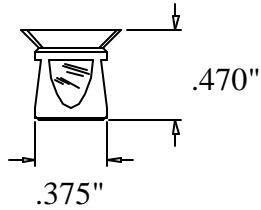
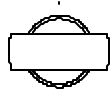
Triangle Dies

Degree	Part Number	Position	Diameter	Height
30	RD-375	Right	.686"	.375"
30	LD-375	Left	.686"	.375"
45	14992	Both	.686"	.375"
30	RD-390	Right	.686"	.390"
30	LD-390	Left	.686"	.390"
45	14210	Both	.686"	.390"
30	RD-500	Right	.686"	.500"
30	LD-500	Left	.686"	.500"
45	14957	Both	.686"	.500"

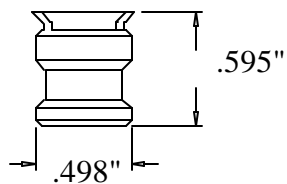
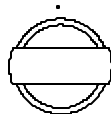
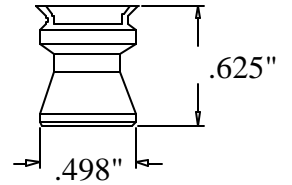
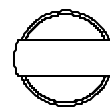
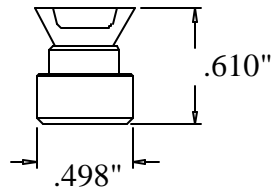
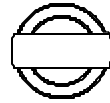
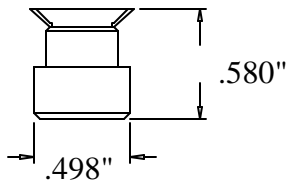
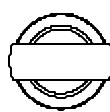


STOCK SPECIAL SHAPES REGISTER SLOT OBLONGS

Punches & Dies



Slot Register Punches			
Size	Part Number	Diameter	Length
5/32 x 1/2	OP-470	.375"	.470"
5/32 x 1/2	OP-580	.498"	.580"
5/32 x 1/2	OP-595	.498"	.595"
5/32 x 1/2	OP-610	.498"	.610"
5/32 x 1/2	OP-625	.498"	.625"



Minimum Total Order \$50.00

210 W. 83rd Street, Burr Ridge, IL 60521 USA * Phone 630-655-0888 * FAX 630-655-3012 * www.meaden.com

meaden