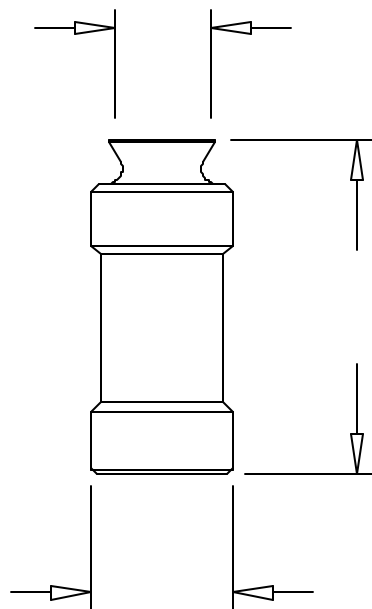


meaden

Standard Line Hole Dies

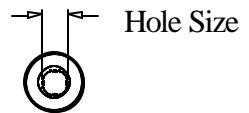
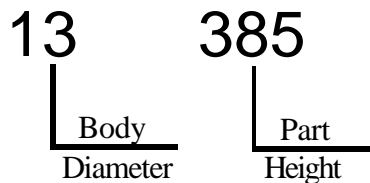
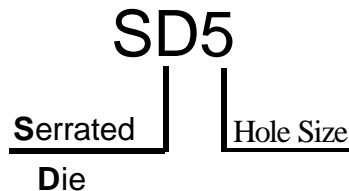
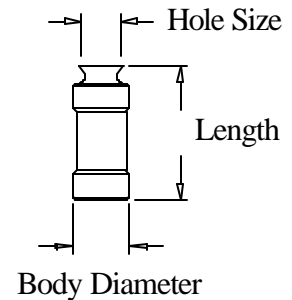
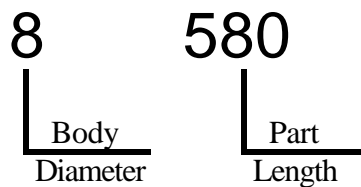
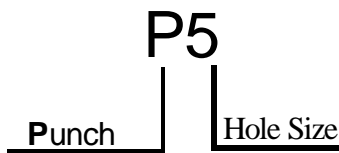


meaden
Products for the Printing Industry
210 West 83rd Street
Burr Ridge, Illinois 60521
Telephone: 630/655-0888
FAX: 630/655-3012
www.meadenprinting.com

HOW TO ORDER from **meaden**

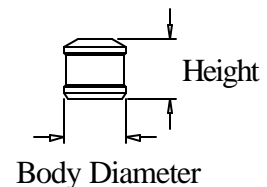
Our part numbering system is designed to be descriptive, accurate and easy to use.

Example: Part Number P5-8-580 punch or Part Number SD5-13-385 die.



The first letter indicates the item:

- P** = Punch
- DP** = Longlife Punch (DuraPunch)
- SD** = Serrated Die
- D** = plain Die
- DD** = Long Life Die (DuraDie)



The first set of numbers indicates the size of the hole measured to the nearest 1/32 of an inch.

For example: **5** = 5/32" = .156",
6 = 6/32" (3/16") = .187"

The second set of numbers indicates the body diameter of the part measured to the nearest 1/32 of an inch.

For example: **8** = 8/32" (1/4") = .250",
13 = 13/32" or = .406"

The last set of numbers indicates the length or height of the part measured as a decimal inch.

For example : **580** = .580 inches long
385 = .385 inches long

It is always helpful to identify the press that the part is used with. Most round dies are stocked as serrated. Where plain dies are available, the 'D' is used without the 'S' to indicate a plain die.

Meaden Return Policy

Stocked, standard catalog items may be returned within 30 days of invoice, subject to a 10% restocking charge. All returns must be in resellable condition and in their original packaging. Open packages are not returnable. An Authorized Return Form (ARF) number must be issued before a return will be accepted. Credits will be issued only after the approval of Quality Control. Any product that does not meet these requirements will be returned to the customer.

No specials of any kind are returnable! Specials made per your instructions are not stock items, and not returnable. Examples of specials are irregular shaped punches and dies, and all special cut perforator wheels.

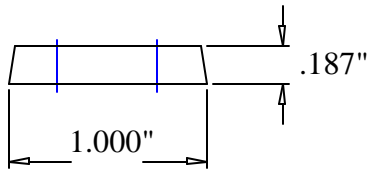
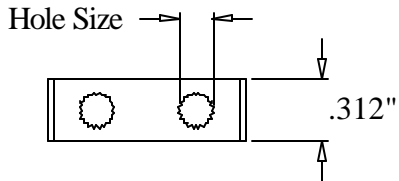
ALL PRICES SUBJECT TO CHANGE WITHOUT NOTICE!

Line Hole Dies

press brand	page no.
AKIRA	31
A.T.F.	25
ASHTON	32
DIDDE	29
DOVERSTAR	29
DRENT	32
FORM CONSULTA	31
GIEBELER	31
GOEBEL	36
HAMILTON	30
IMER	32
KLUGE	29
MARK ANDY	29
MEISEL	26
MIYAKOSHI	31
MORGAN	32
MULLER/MARTINI	32
NEW ERA	28
PCM (PAPER CONVERTING)	34
RDP MARATHON	32
ROTATEK	32
SANDEN	31
SCHOBER NEW GENERATION	27
SCHRIBER/HARRIS	31
SEAILLES & TISON	35
STEVENS	32
SUPER WEB	29
TAIYO	31
T&P (TOOLS & PRODUCTION) MARATHON	27
TIMSONS	26
UKITA	31
WEB CONVERTING	31
WESTERN GEAR C3C	
WESTERN GEAR SPEEDFLEX	29

Punches & Dies

A.T.F.

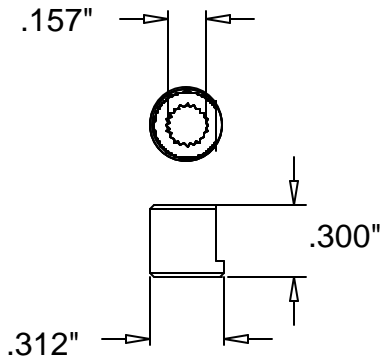


Line Hole Dies

Hole Size	Part Number	Body Size	Height
5/32"	SD-55	.312 x 1.0"	.187"
3/16"	SD-66	.312 x 1.0"	.187"
7/32"	SD-77	.312 x 1.0"	.187"
1/4"	SD-88	.312 x 1.0"	.187"

Punches & Dies

MEISEL - TIMSONS

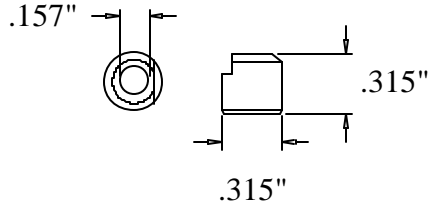


Line Hole Dies

Hole Size	Part Number	Diameter	Height
5/32"	SD5-10-300 (11692)	.312"	.300"

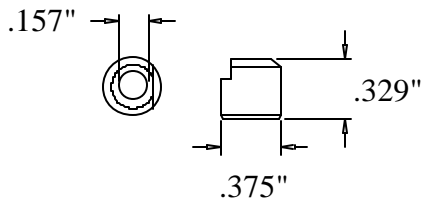
Punches & Dies

SCHOBER



Part Number	Hole Size	Diameter	Length	Notes
New Generation Dies				
19295	.157"	.315"	.315"	HSS Die
19570	.157"	.315"	.315"	Long Life Die
19296	.157"	.315"	.315"	Carbide Die
19708	.188"	.315"	.315"	Long Life Die

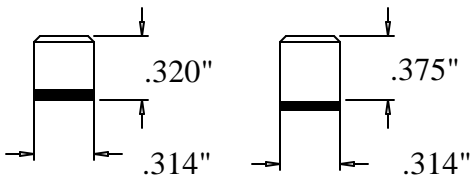
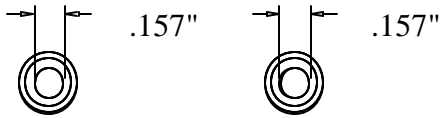
TOOLS & PRODUCTION MARATHON



Part Number	Hole Size	Diameter	Height	Notes
31144	.157"	.375"	.329"	Long Life Die

Punches & Dies

NEW ERA

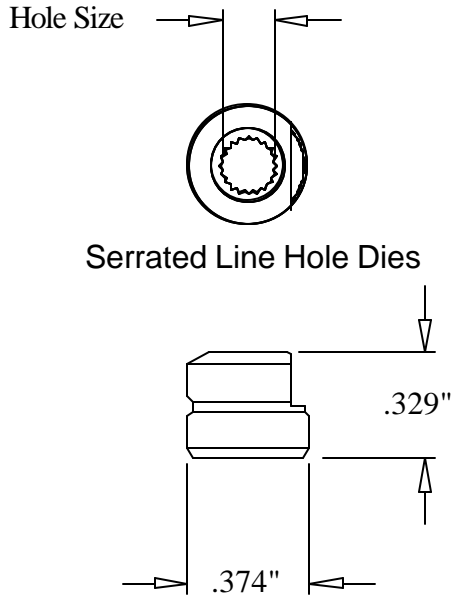


New Era Dies

Hole Size	Part Number	Diameter	Height
5/32"	D5-10-320	.314"	.320"
5/32"	D5-10-375	.314"	.375"

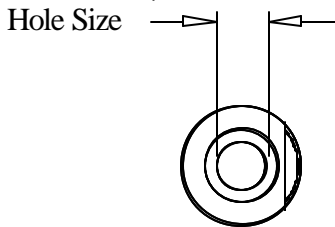
Available only in fully hardened condition

Punches & Dies



Serrated Line Hole Dies

Plain Line Hole Dies
(not serrated)



**DIDDE
DOVERSTAR
KLUGE
MARK ANDY
SUPERWEB
WESTERN GEAR-
SPEEDFLEX**

Serrated Line Hole Dies

Hole Size	Part Number	Diameter	Height
1/8"	SD4 -12 - 329	.374"	.329"
5/32"	SD5 -12 - 329	.374"	.329"
3/16"	SD6 -12 - 329	.374"	.329"
7/32"	SD7 -12 - 329	.374"	.329"
1/4"	SD8 -12 - 329	.374"	.329"
5/32"	DD5 -12 - 329	.374"	.329"

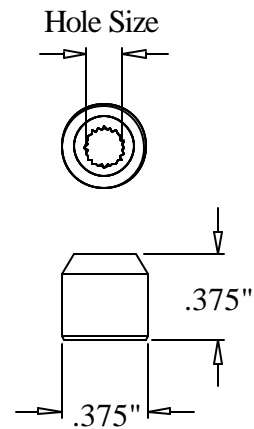
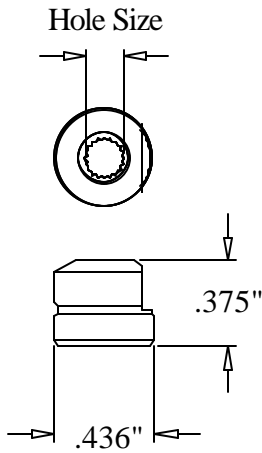
Serrated Long Life Die

Non Serrated Line Hole Dies

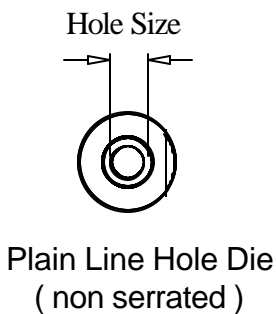
Hole Size	Part Number	Diameter	Height
5/32"	D5 -12 - 329	.374"	.329"

Punches & Dies

HAMILTON



Serrated Line Hole Dies



Plain Line Hole Die
(non serrated)

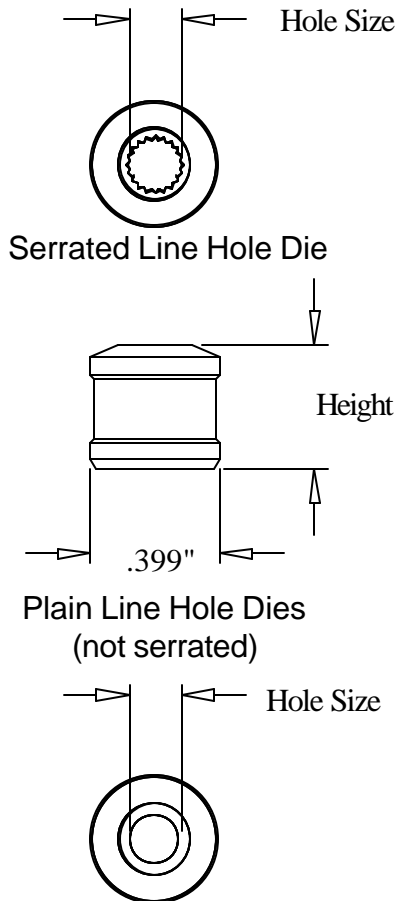
Serrated Line Hole Dies

Hole Size	Part Number	Diameter	Height
1/8"	SD4 -14 - 375	.436"	.375"
5/32"	SD5 -14 - 375	.436"	.375"
3/16"	SD6 -14 - 375	.436"	.375"
7/32"	SD7 -14 - 375	.436"	.375"
1/4"	SD8 -14 - 375	.436"	.375"
5/32"	DD5 -14 - 375	.436"	.375"
Long Life Die			
5/32"	SD5 -12 - 375	.375"	.375"
3/16"	SD6 -12 - 375	.375"	.375"
7/32"	SD7 -12 - 375	.375"	.375"

Non Serrated Line Hole Dies

Hole Size	Part Number	Diameter	Height
5/32"	D5 -14 - 375	.436"	.375"

Punches & Dies



Serrated Line Hole Dies

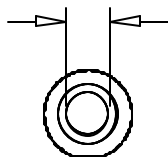
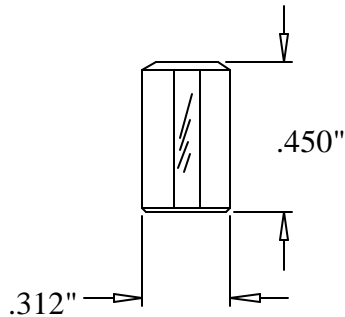
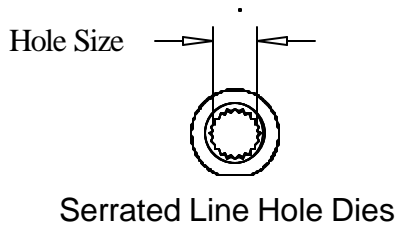
Hole Size	Part Number	Diameter	Height
1/8"	SD4 -13 - 385	.399"	.385"
5/32"	SD5 -13 - 385	.399"	.385"
3/16"	SD6 -13 - 385	.399"	.385"
7/32"	SD7 -13 - 385	.399"	.385"
1/4"	SD8 -13 - 385	.399"	.385"
5/32"	SD5 -13 - 400	.399"	.400"
3/16"	SD6 -13 - 400	.399"	.400"
7/32"	SD7 -13 - 400	.399"	.400"
5/32"	DD5 -13 - 385	.399"	.385"
Serrated Long Life Die			

Non Serrated Line Hole Dies

Hole Size	Part Number	Diameter	Height
5/32"	D5 -13 - 385	.399"	.385"

AKIRA
FORM CONSULTA
GIEBELER
MIYAKOSHI
SANDEN
SCHRIBER/HARRIS
TAIYO
UKITA
WEB CONVERTING

Punches & Dies



**ASHTON
DRENT
IMER
MORGAN
MULLER/MARTINI
RDP-MARATHON
ROTATEK**

Serrated Line Hole Dies

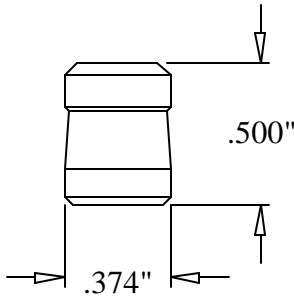
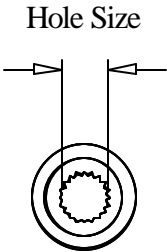
Hole Size	Part Number	Diameter	Height
1/8"	SD4 -10 - 450	.312"	.450"
5/32"	SD5 -10 - 450	.312"	.450"
**5/32"	11753	.312"	.450"
** Lockdown flat does not extend full height of die			
3/16"	SD6 -10 - 450	.312"	.450"
7/32"	SD7 -10 - 450	.312"	.450"
5/32"	DD5 -10 - 450	.312"	.450"
Long Life Die			

Non Serrated Line Hole Dies

Hole Size	Part Number	Diameter	Height
5/32"	D5 -10 - 450	.312"	.450"

Punches & Dies

OPM - STEVENS

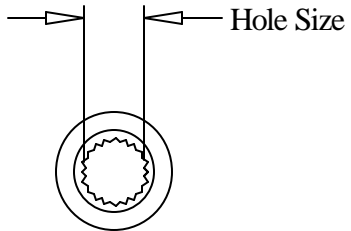


Serrated Line Hole Dies

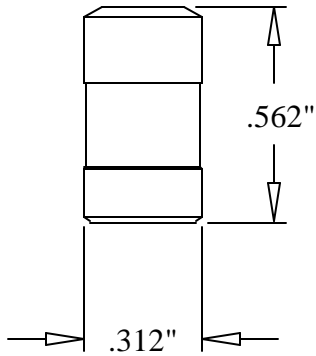
Hole Size	Part Number	Diameter	Height
5/32"	SD5 -12 - 500	.374"	.500"
3/16"	SD6 -12 - 500	.374"	.500"
7/32"	SD7 -12 - 500	.374"	.500"

Punches & Dies

PAPER CONVERTING

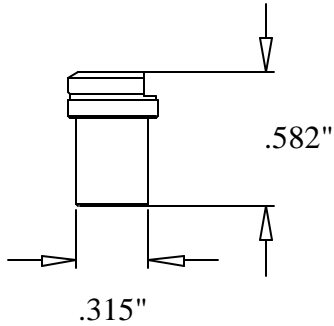
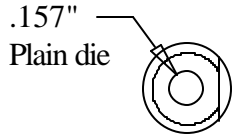


Line Hole Dies			
Hole Size	Part Number	Diameter	Length
5/32"	SD5 -10 - 562	.312"	.562"
3/16"	SD6 -10 - 562	.312"	.562"
7/32"	SD7 -10 - 562	.312"	.562"



Punches & Dies

SEAILLES & TISON



S & T Line Hole Dies

Hole Size	Part Number	Diameter	Length
157" (4mm)	16478 serrated die	.315" (8mm)	.582" (14.8mm)
157" (4mm)	14951 plain die	.315" (8mm)	.582" (14.8mm)

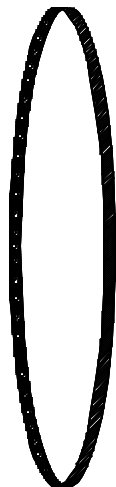
Punches & Dies

Line Hole Die Bands

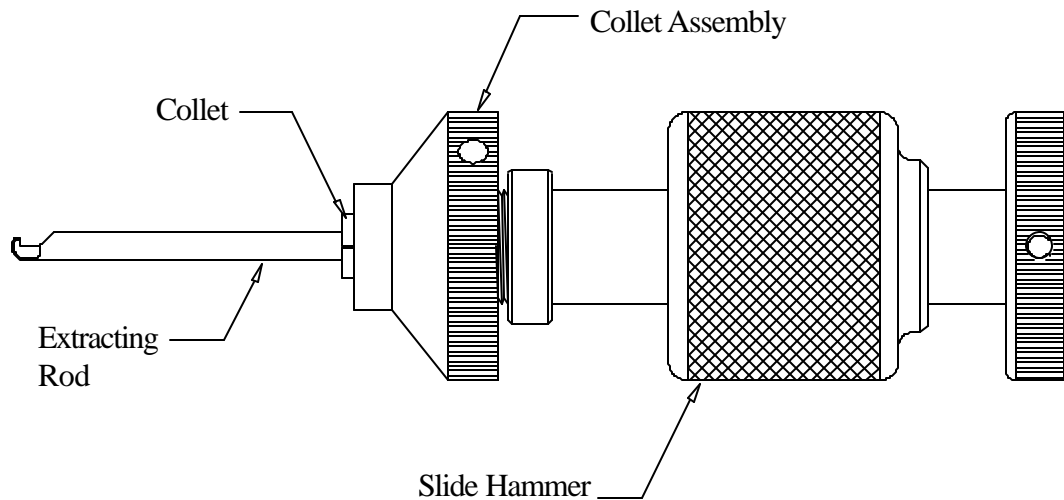
19750

Line Hole Die Band

24" Circumference



New Generation Tooling



Part Number	Description
30952	Complete Assembly for 5/32" size punch & die
30953	Complete Assembly for 3/16" size punch & die
20582	Complete Puller with only 5/32" punch collet
30954	Complete Puller with only 3/16" punch collet
20588	Spare collet for 5/32" punches
30526	Spare collet for 3/16" punches
21119	Collet for 5/ 32" die extracting rod
30707	Collet for 3/16" die extracting rod
21115	Extracting rod for 5/32" dies
21118	Extracting rod for 3/16" dies

Minimum Total Order \$50.00

210 W. 83rd Street, Burr Ridge, IL 60521 USA * Phone 630-655-0888 * FAX 630-655-3012 * www.meaden.com

meaden