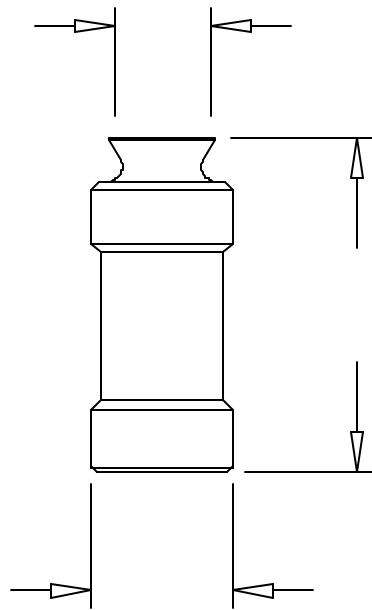


meaden

Standard Line Hole Punches

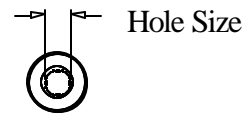
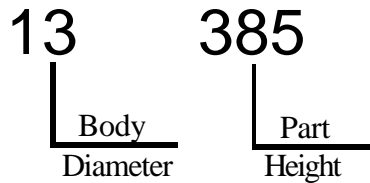
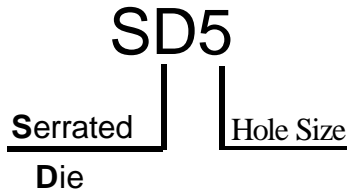
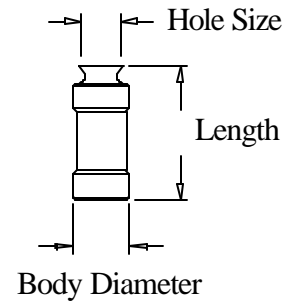
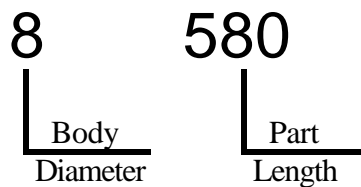
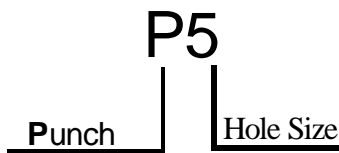


meaden
Products for the Printing Industry
210 West 83rd Street
Burr Ridge, Illinois 60521
Telephone: 630/655-0888
FAX: 630/655-3012
www.meadenprinting.com

HOW TO ORDER from **meaden**

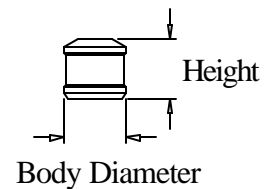
Our part numbering system is designed to be descriptive, accurate and easy to use.

Example: Part Number P5-8-580 punch or Part Number SD5-13-385 die.



The first letter indicates the item:

- P** = Punch
- DP** = Longlife Punch (DuraPunch)
- SD** = Serrated Die
- D** = plain Die
- DD** = Long Life Die (DuraDie)



The first set of numbers indicates the size of the hole measured to the nearest 1/32 of an inch.

For example: **5** = 5/32" = .156",
6 = 6/32" (3/16") = .187"

The second set of numbers indicates the body diameter of the part measured to the nearest 1/32 of an inch.

For example: **8** = 8/32" (1/4") = .250",
13 = 13/32" or = .406"

The last set of numbers indicates the length or height of the part measured as a decimal inch.

For example : **580** = .580 inches long
385 = .385 inches long

It is always helpful to identify the press that the part is used with. Most round dies are stocked as serrated. Where plain dies are available, the 'D' is used without the 'S' to indicate a plain die.

Meaden Return Policy

Stocked, standard catalog items may be returned within 30 days of invoice, subject to a 10% restocking charge. All returns must be in resellable condition and in their original packaging. Open packages are not returnable. An Authorized Return Form (ARF) number must be issued before a return will be accepted. Credits will be issued only after the approval of Quality Control. Any product that does not meet these requirements will be returned to the customer.

No specials of any kind are returnable! Specials made per your instructions are not stock items, and not returnable. Examples of specials are irregular shaped punches and dies, and all special cut perforator wheels.

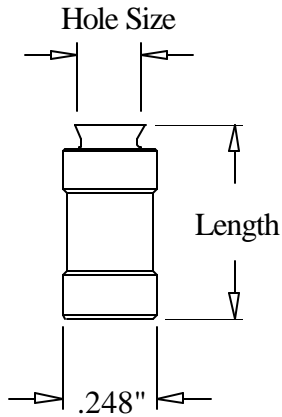
ALL PRICES SUBJECT TO CHANGE WITHOUT NOTICE!

Line Hole Punches

| press brand | page no. |
|--|-----------------|
| AKIRA | 11 |
| A.T.F. | 10 |
| ASHTON | 7 |
| DIDDE | 8 |
| DOME-HEADS | 16 |
| DOVERSTAR | 11 |
| DRENT | 11 |
| FORM CONSULTA | 11 |
| GIEBELER | 11 |
| GOEBEL | 19 |
| HAMILTON | 15 |
| IMER | 11 |
| KLUGE | 8 |
| MARK ANDY | 8, 9 |
| MEISEL | 13 |
| MIYAKOSHI | 11 |
| MORGAN | 11 |
| MULLER/MARTINI | 11 |
| NEW ERA | 22 |
| PCM (PAPER CONVERTING) | 12 |
| QUICK-REMOVAL | 17, 18 |
| RDP MARATHON | 7 |
| ROTATEK | 11 |
| SANDEN | 7 |
| SCHOBER NEW GENERATION | 21 |
| SCHRIBER/HARRIS | 11 |
| SEAILLES & TISON | 14 |
| STEVENS | 6 |
| SUPER WEB | 8 |
| TAIYO | 11 |
| T&P (TOOLS & PRODUCTION) MARATHON | 20 |
| TIMSONS | 13 |
| UKITA | 11 |
| WEB CONVERTING | 11 |
| WESTERN GEAR C3C | 11 |
| WESTERN GEAR SPEEDFLEX | 10 |

Punches & Dies

STEVENS

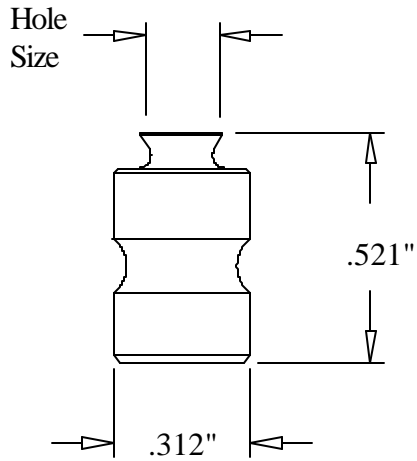


Line Hole Punches

| Hole Size | Part Number | Diameter | Length |
|-----------|---------------------|----------|--------|
| 5/32" | P5-8-510 | .248" | .510" |
| 3/16" | P6-8-510 | .248" | .510" |
| 7/32" | P7-8-510 | .248" | .510" |
| 5/32" | P5-8-525 | .248" | .525" |
| 5/32" | DP5-8-510 Durapunch | .248" | .510" |

Punches & Dies

ASHTON - SANDEN - RDP MARATHON

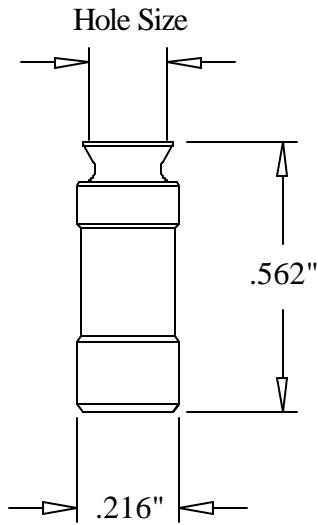


Line Hole Punches

| Hole Size | Part Number | Diameter | Length |
|-----------|---------------------|----------|--------|
| 1/8" | P4 -10-521 | .312" | .521" |
| 5/32" | P5 -10-521 | .312" | .521" |
| 3/16" | P6 -10-521 | .312" | .521" |
| 7/32" | P7 -10-521 | .312" | .521" |
| 5/32" | DP5-10-521Durapunch | .312" | .521" |

Punches & Dies

DIDDE - KLUGE - MARK ANDY - SUPERWEB



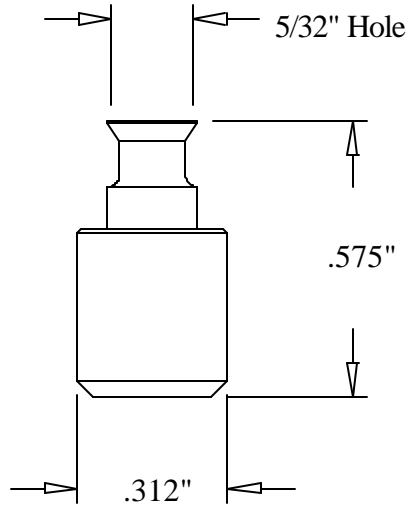
| Line Hole Punches | | | |
|-------------------|---------------------|----------|--------|
| Hole Size | Part Number | Diameter | Length |
| 1/8" | P4-7-562 | .216" | .562" |
| 5/32" | P5-7-562 | .216" | .562" |
| 3/16" | P6-7-562 | .216" | .562" |
| 7/32" | P7-7-562 | .216" | .562" |
| 1/4"*** | P8-7-562 | .216" | .562" |
| 5/32" | DP5-7-562 Durapunch | .216" | .562" |

Punches & Dies

MARK ANDY

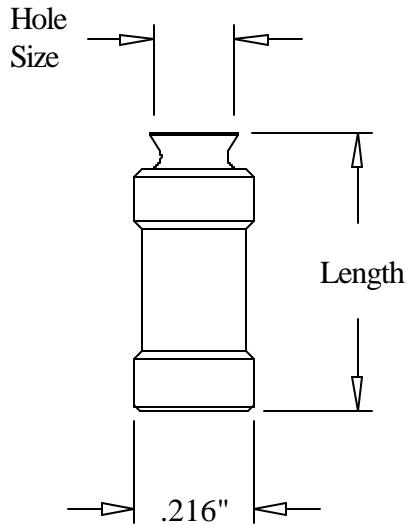
Wilson Module Line Hole Punches

| Hole Size | Part Number | Diameter | Length |
|-----------|-------------|----------|--------|
| 5/32" | 17221 | .312" | .575" |



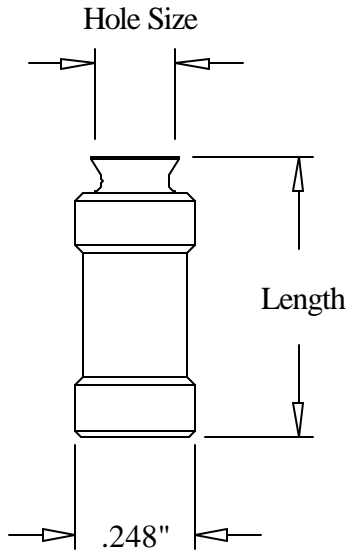
Punches & Dies

A.T.F. - WESTERN GEAR



Line Hole Punches

| Hole Size | Part Number | Diameter | Length |
|-----------|---------------------|----------|--------|
| 5/32" | P5-7-570 | .216" | .570" |
| 5/32" | P5-7-580 | .216" | .580" |
| 5/32" | P5-7-590 | .216" | .590" |
| 3/16" | P6-7-580 | .216" | .580" |
| 7/32" | P7-7-580 | .216" | .580" |
| 1/4"*** | P8-7-580 | .216" | .580" |
| 1/4"*** | P8-7-590 | .216" | .590" |
| 5/32" | DP5-7-580 Durapunch | .216" | .580" |
| 5/32" | DP5-7-590 Durapunch | .216" | .590" |



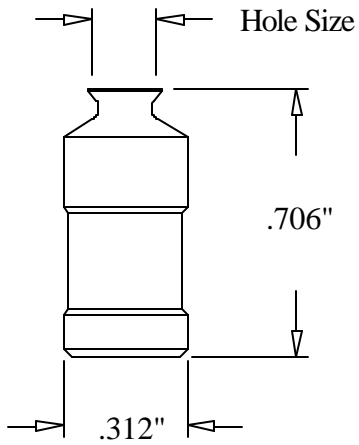
Line Hole Punches

| Hole Size | Part Number | Diameter | Length |
|-----------|---------------------|----------|--------|
| 1/8" | P4-8-580 | .248" | .580" |
| 5/32" | P5-8-580 | .248" | .580" |
| 5/32" | P5-8-590 | .248" | .590" |
| 3/16" | P6-8-580 | .248" | .580" |
| 3/16" | P6-8-590 | .248" | .590" |
| 7/32" | P7-8-580 | .248" | .580" |
| 7/32" | P7-8-590 | .248" | .590" |
| 1/4" ** | P8-8-580 | .248" | .580" |
| 5/32" | DP5-8-580 Durapunch | .248" | .580" |
| 5/32" | DP5-8-590 Durapunch | .248" | .590" |

AKIRA
DOVERSTAR
DRENT
FORM CONSULTA
GIEBELER
MULLER/MARTINI
SCHRIBER/HARRIS
IMER
MIYAKOSHI
MORGAN
ROTATEK
TAIYO
UKITA
WEB CONVERTING
WESTERN GEAR C3C

Punches & Dies

PAPER CONVERTING

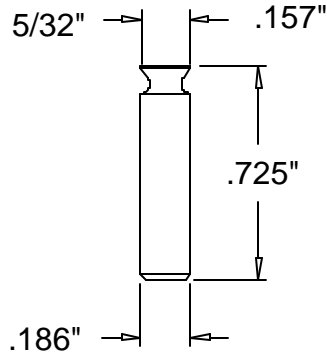


Line Hole Punches

| Hole Size | Part Number | Diameter | Length |
|-----------|-------------|----------|--------|
| 5/32" | P5-10-706 | .312" | .706" |
| 3/16" | P6-10-706 | .312" | .706" |
| 7/32" | P7-10-706 | .312" | .706" |

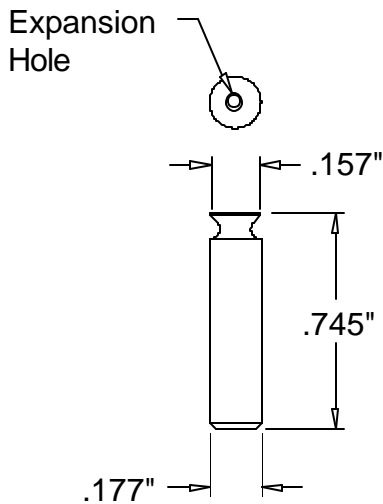
Punches & Dies

MEISEL - TIMSONS



MEISEL

| Line Hole Punches | | | |
|-------------------|-------------|----------|--------|
| Hole Size | Part Number | Diameter | Length |
| 5/32" | P5-6-725 | .186" | .725" |
| 5/32" | 15027 | .177" | .745" |



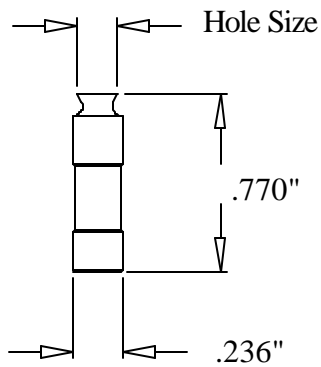
TIMSONS

Punches & Dies

SEAILLES & TISON

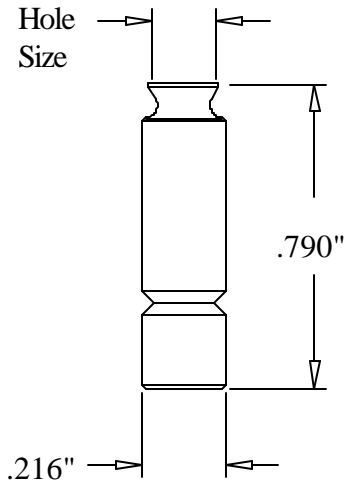
S & T Line Hole Punches

| Part Number | Hole Size | Diameter | Length |
|-------------|-------------|-------------|----------------|
| 16975 punch | .157" (4mm) | .236" (6mm) | .770" (19.6mm) |



Punches & Dies

HAMILTON

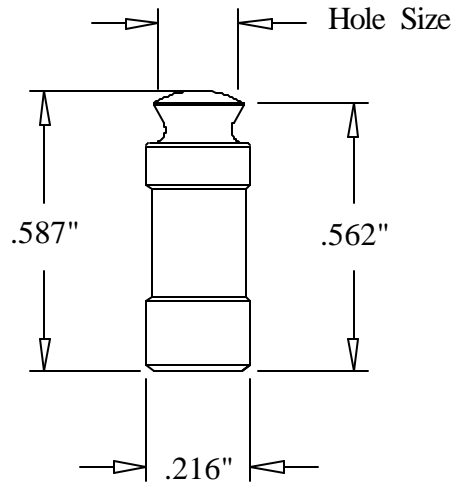


Line Hole Punches

| Hole Size | Part Number | Diameter | Length |
|-----------|---------------------|----------|--------|
| 1/8" | P4-7-790 | .216" | .790" |
| 1/8" | P4-7-800 | .216" | .800" |
| 5/32" | P5-7-790 | .216" | .790" |
| 5/32" | P5-7-800 | .216" | .800" |
| 3/16" | P6-7-790 | .216" | .790" |
| 7/32" | P7-7-790 | .216" | .790" |
| 1/4"*** | P8-7-790 | .216" | .790" |
| 5/32" | DP5-7-790 Durapunch | .216" | .790" |

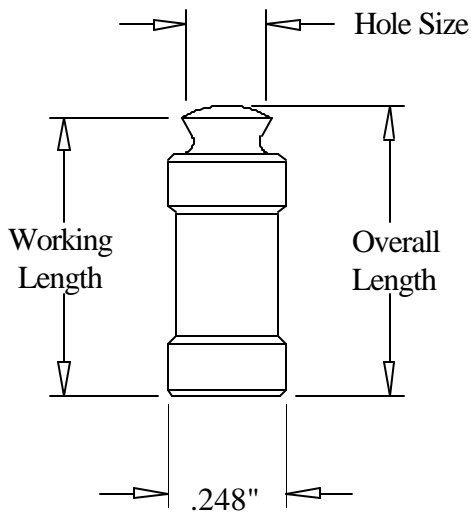
Punches & Dies

DOME-HEADS



| Dome Head Line Hole Punches | | | |
|-----------------------------|------------------|----------|--------|
| Hole Size | Part Number | Diameter | Length |
| 5/32" | P5-7-563 (16672) | .216" | .587" |

| Dome Head Line Hole Punches | | | | |
|-----------------------------|-------------|----------|----------------|----------------|
| Hole Size | Part Number | Diameter | Working Length | Overall Length |
| 5/32" | 20983 | .248" | .580" | .608" |
| 5/32" | P5-8-594 | .248" | .590" | .617" |

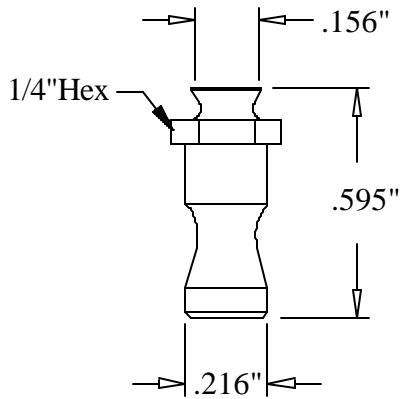


Punches & Dies

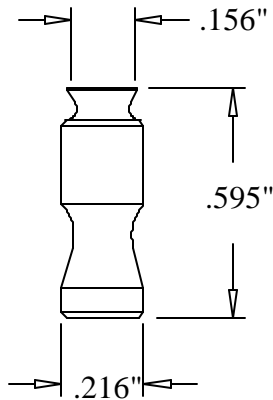
QUICK REMOVAL PUNCHES

Quick Release Line Hole Punches

| Hole Size | Part Number | Diameter | Length |
|-----------|-------------|----------|--------|
| 5/32" | 19544 | 1/4" Hex | .595" |
| 5/32" | 19292 | .216" | .595" |



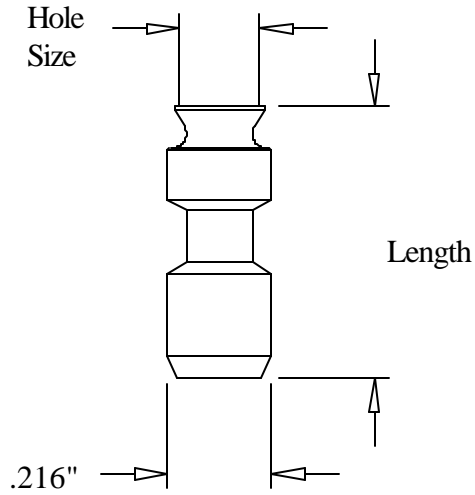
Part # 19544



Part # 19292

Punches & Dies

QUICK REMOVAL PUNCHES

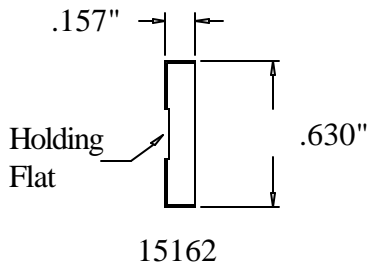


Quick Removal Punch
A special ring is required

Quick Removal Punches

| Hole Size | Part Number | Diameter | Length |
|-----------|-------------|----------|--------|
| 5/32" | P5-7-565 | .216" | .565" |
| 5/32" | P5-7-573 | .216" | .573" |

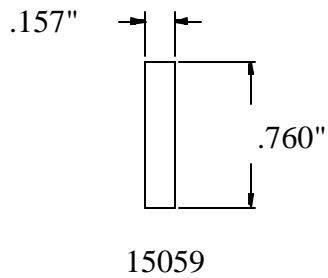
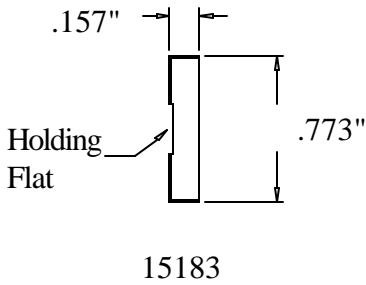
Punches & Dies



GOEBEL

Punches

| Part Number | Hole Size | Diameter | Length |
|-------------|-----------|----------|--------|
| 15162 | .157" | .157" | .630" |
| 15183 | .157" | .157" | .773" |



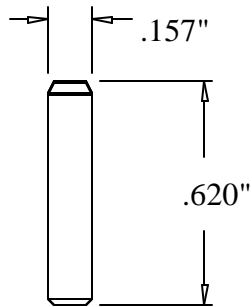
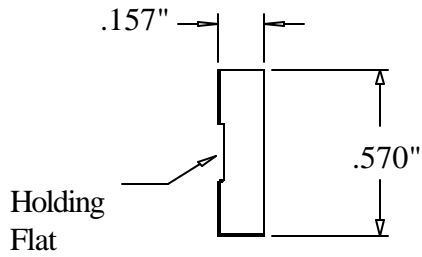
Punches

| Size | Part Number | Diameter | Length |
|-------|-------------|----------|--------|
| .157" | 15059 | .157" | .760" |

Punches & Dies

TOOLS & PRODUCTION MARATHON

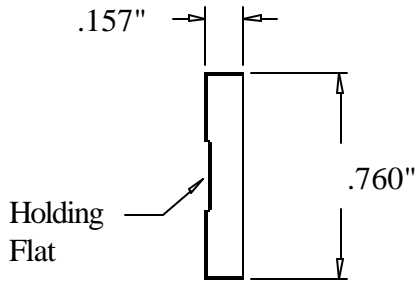
| Part Number | Hole Size | Diameter | Length | Notes |
|-------------|-----------|----------|--------|-----------------|
| 31142 | .157" | .157" | .570" | Long Life Punch |
| 31143 | .157" | .157" | .630" | Setup Punch |



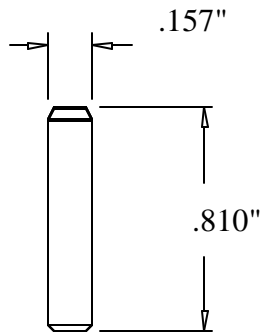
Set up punch
31143

Punches & Dies

SCHOBER NEW GENERATION



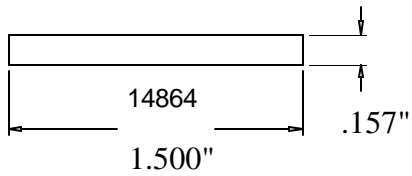
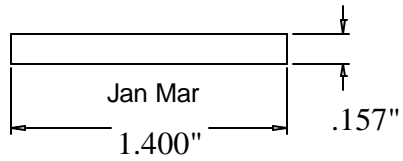
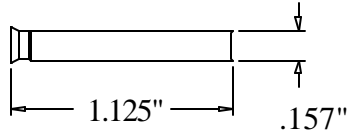
| Part Number | Hole Size | Diameter | Length | Notes |
|------------------------|-----------|----------|--------|-----------------|
| New Generation Punches | | | | |
| 19452 | .157" | .157" | .760" | HSS Punch |
| 19569 | .157" | .157" | .760" | Long Life Punch |
| 19297 | .157" | .157" | .760" | Carbide Punch |
| 19701 | .157" | .157" | .810" | Setup Punch |
| 19706 | .188" | .157" | .760" | Long Life Punch |
| 30281 | .188" | .157" | .810" | Setup Punch |



Set up punch
19701

Punches & Dies

NEW ERA



New Era Punches

| Hole Size | Part Number | Diameter | Length |
|--|---------------|----------|--------|
| 5/32" | P5-6-1125 | .157" | 1.125" |
| 5/32" | 16571 Jan Mar | .157" | 1.400" |
| 5/32" | 14864 | .157" | 1.500" |
| Available only in fully hardened condition | | | |