

Sig-Tech® Intrusive Signaler Data Sheet

Date: Your Reference No.:
Company: Contact Info.:
E-mail: Telephone:
Project: End User Location:

Pipeline Information

Nominal Pipe Size: Pipeline Pipeline Wall Thickness:
Product:
Pipeline Design Pressure: Pipeline Design Temp: /

Signaler Information

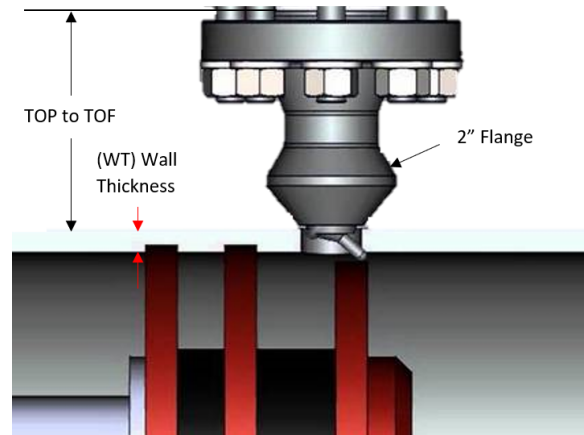
*Buried Pipeline (Grade Plus Height Above Grade)
Standard is with No Extension

Quantity:
Signaler Mounting Type: Indication Type:
*Indicator Extension:
Boss/Flange Material:
Flange Face (If Applicable):
Seal Material:

Flange Mounting Information

**TOP to TOF Dimensions:
Connecting Flange: 2"
Special Requirements:

**2" Flange Required and measured from Top of
Pipe to Top of Flange Face



Notes:

1. Standard boss utilizes dual certified CS of a P1 grade material for use in multiple weld procedures.
2. Standard plug material is 316SS
 - a. If stainless steel boss/ flange is used naval brass will be used to prevent galling of threads.