

Model #

68C-SB-6P-168-9-110

Hennessy II Series Shoebox Luminaire



TITAN LED LIGHTING SOLUTIONS

Hand Crafted with Pride in The United States of America

479 Watt 110° Solid State Shoebox

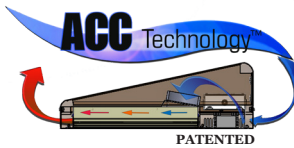


Specifications - Light Output

Total Lumen Output:
 INITIAL: 84,271 lm
 DELIVERED: 74,223 lm
 Kelvin Temp: 5000K
 Max. Candela Power: 27,724
 CRI: 72
 Lighting Angle: 110°

Specifications - Electrical

Voltage Range: 120 - 277V
 Max. Ambient Temp: -4° to 139°F / -20 to 59°C
 INSITU LED Temp: Ts (TC1) 49°C
 Efficacy INITIAL: 175.5 lm/W
Voltage: 120 V
 Frequency: 60.0 Hz
 Current: 4.009 A
 Power: 480 W
 Drive Current: 870 mA
 Power Factor: 1.0
 Efficacy DELIVERED: 154.7 lm/W
 THD: 4.8 %
Voltage: 277 V
 Frequency: 60.0 Hz
 Current: 1.761
 Power: 469 W
 Drive Current: 870 mA
 Power Factor: .96
 Efficacy DELIVERED: 158.2 lm/W
 THD: 6.1 %



Specifications - Mechanical

LED Count: 168 High Power-
 Industry Leader - Top Tier Diodes
 Dimensions: 21" L x 26-1/2" W x 7-1/4" H
 Net Weight: 36.3 lbs / 16.5 kg
 14G Heavy Duty Powder Coated Aluminum Housing
 Polycarbonate Lensing
 Proprietary 110° Optics
 Solid Core Circuit Boards
 Extruded Aluminum Heat Sink
 Patented Active Chamber Cooling Technology
 Stainless Steel Hardware
 Mounting: Titan LED Proprietary -
 2 - 3/8" Tenon Slip Knuckle Adapter included
 Replaces up to 2000 Watt Metal Halide or HPS lighting

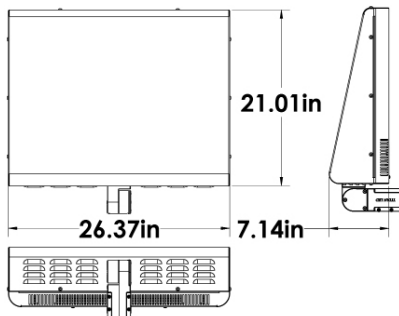


155,000 RATED HOURS

Options:

- # DRIVER-480V-1 (Required for 480V Installation)
(2- Drivers Required for 480V installation of this Model)
- # 50-SENSOR-PC (120 - 277V) (Photo Cell)
- # 50-SENSOR-PC-480V (Photo Cell)
- # 50-MSOD-SENSOR (Hybrid)

Dimensions:



Increased Safety

- Ideal for illuminating Parking Lots, Walkways, Automobile Dealerships, Courts, Etc.
- Simple and Secure Installation with industry standard 2-3/8" Tenon Based Hardware
- Improved Bright White Color and Increased Light Levels Deter Crime and Vandalism

Improved Maintainability

- Lowers Cost of Ownership - Pays Back Purchase Amount with Energy Savings
- Industry Leading Low LED INSITU Junction Temperature
- Heavy Gauge Powder Coated Aluminum Housing
- Environmentally Friendly, No Toxic Gasses, Chemical Free, Over 95% Recyclable
- Typically Reduces Energy Consumption 60 - 70% Over Metal Halide Lighting
- Noise Free, Instant On - Off Operation, No Flickering, No Warm Up Time
- Industry Leader Tier One Diodes
- L-90 at Over 125,000 Rated Hours with DOE TM-21 Calculator
- Quickly Go Green and Reduce a Companies Carbon Footprint

Optional Control

- Photo Cell and Motion Control Options for Title-24 Compliance Certification

Model #

68C-SB-6P-168-9-110

Hennessy II Series Shoebox Luminaire

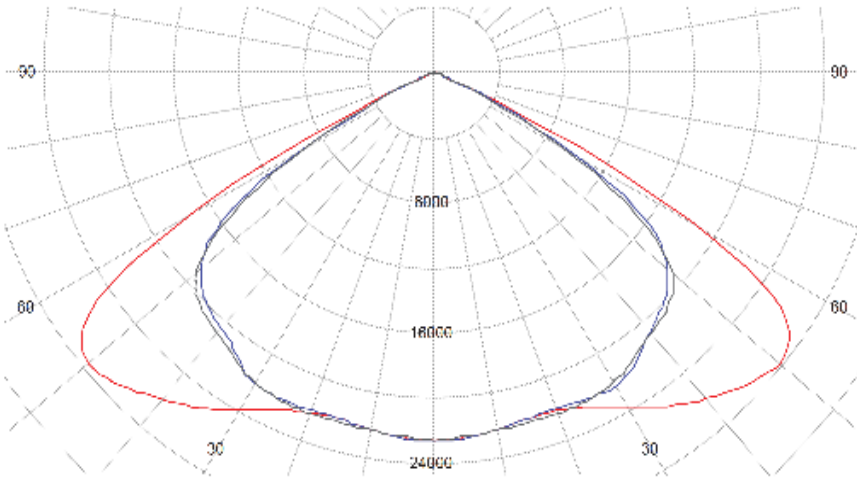


TITAN LED LIGHTING SOLUTIONS

Hand Crafted with Pride in The United States of America

Light Spread Information

Polar Light Distribution Curves



House side / L270

L90 / 270 - Black, Plane of maximum - Red, L0 / 180 - Blue (red)

Street side / L90



Profile View of Titan LED's Shoebox Knuckle Included with Hennessy Series Luminaire



About ACC Technology Cooling

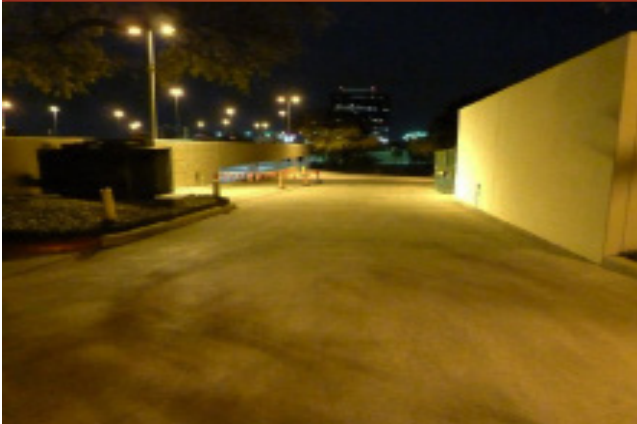
ACC Technology is designed to deliver the greatest efficacy in today's LED Market by utilizing 28 thermal exchange ducts through which cool air is actively vented to drastically reduce the core junction temperature of high power LEDs.

ACC technology prevents the heat sink from reaching full saturation level, thereby consistently maintaining the greatest level of light output a high power LED can produce.

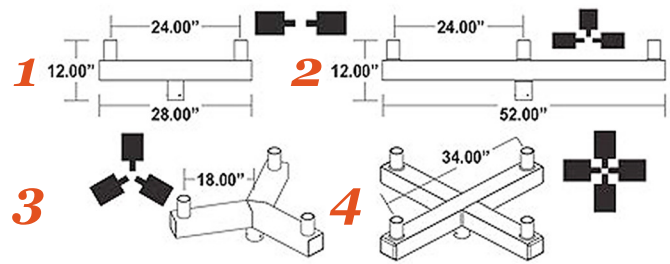
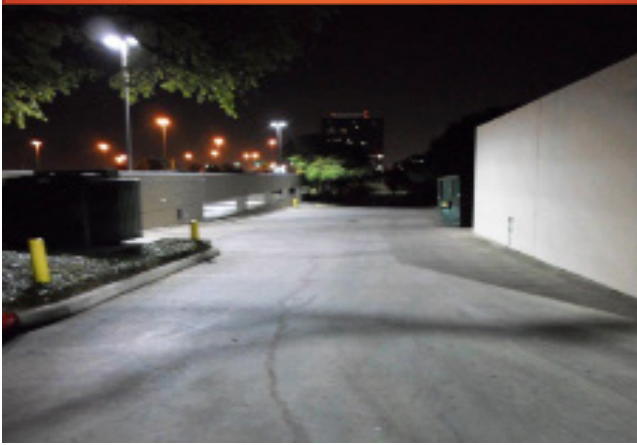
Most modern high powered LED lighting fixtures use internal convection cooling to cool their heat sinks in order to prevent an LED from burning out.

TITAN LED LIGHTING SOLUTIONS www.TitanLEDus.com

Before



After



2-3/8" Tenon Based Bullhorn - Shoebox Mounting Options

- 1 60-2BH- 4" - 5" -6" Square or Round Options -10" Sleeve
2 60-3BH- 4" - 5" -6" Square or Round Options -10" Sleeve
3 60-3BH-120 - 4" -5" -6" Square or Round Options -10" Sleeve
4 60-4BH-90 - 4" -5" -6" Square or Round Options -10" Sleeve

* The above chart is For Quick Reference Only, for detailed product and SKU information please visit Titan LED's web site or call your local Titan LED representative.

Titan LED's Universal Pole Mounting Adaptor

This proprietary adaptor adds a 2-3/8" Tenon to a 2 bolt or 4 bolt pattern - pole, allowing Titan Shoeboxes to be securely mounted to existing standard rigid arm mounted bolt patterns or any flat weight capable surface.

SKU #60-PM-24

