

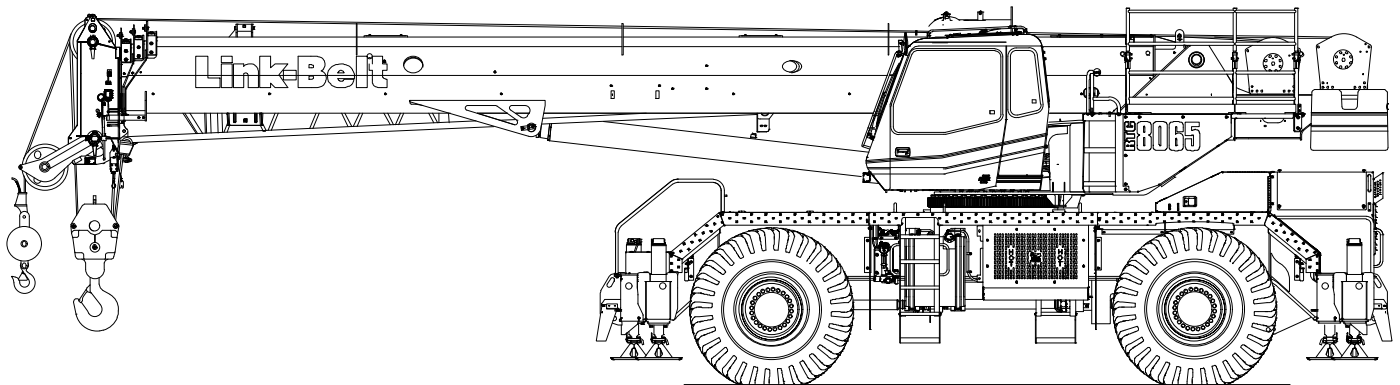
Technical Data

Specifications & Capacities



RTC 8065

Series II
Telescopic Boom Rough Terrain Crane
65 US ton
60 metric ton



CAUTION: This material is supplied for reference use only. Operator must refer to in-cab Crane Rating Manual and Operator's Manual to determine allowable crane lifting capacities and assembly and operating procedures.

Table Of Contents

| | |
|--|-----------|
| Boom, Attachments, and Upper Structure | 1 |
| Boom | 1 |
| Boom | 1 |
| Boom Head | 1 |
| Boom Elevation | 1 |
| Auxiliary Lifting Sheave – Optional | 1 |
| Hook Blocks and Balls – Optional | 1 |
| Fly – Optional | 1 |
| Fly Extensions – Optional | 1 |
| Operator’s Cab and Controls | 1 |
| Swing | 3 |
| Electrical | 3 |
| Load Hoist System | 3 |
| Load Hoist Performance | 3 |
| 2M Main and Optional Auxiliary Winches | 3 |
| Hydraulic System | 3 |
| Counterweight | 3 |
| Carrier | 4 |
| General | 4 |
| Outriggers | 4 |
| Steering and Axles | 4 |
| Suspension | 4 |
| Tires and Wheels | 4 |
| Brakes | 4 |
| Electrical | 4 |
| Engine | 4 |
| Transmission | 4 |
| Fuel Tank | 5 |
| Hydraulic System | 5 |
| Maximum Speed | 5 |
| Gradeability | 5 |
| Pump Drive | 5 |
| Paint | 5 |
| Axle Loads | 6 |
| General Dimensions | 7 |
| General Dimensions | 8 |
| Working Range Diagram | 9 |
| Boom Extend Modes | 10 |
| Main Boom Lift Capacity Charts – Imperial | 11 |
| Fully Extended Outriggers – 360° Rotation | 11 |
| On Tires – Stationary – Boom Centered Over Front Between Tire Tracks | 12 |
| On Tires – Pick & Carry (Creep) – Boom Centered Over Front | 13 |
| On Tires – Stationary – 360° Rotation | 13 |

| | |
|--|-----------|
| Fly Attachment Lift Capacity Charts – Optional | 14 |
| Fully Extended Outriggers – 360° Rotation | 14 |
| 115 ft Main Boom Length – 2° Fly Offset | 14 |
| 115 ft Main Boom Length – 15° Fly Offset | 14 |
| Fully Extended Outriggers – 360° Rotation | 15 |
| 115 ft Main Boom Length – 30° Fly Offset | 15 |
| 115 ft Main Boom Length – 45° Fly Offset | 15 |
| Main Boom Lift Capacity Charts – 75% – Metric | 16 |
| Fully Extended Outriggers – 360° Rotation | 16 |
| On Tires – Stationary – Boom Centered Over Front Between Tire Tracks | 17 |
| On Tires – Pick & Carry (Creep) – Boom Centered Over Front | 18 |
| On Tires – Stationary – 360° Rotation | 18 |
| Fly Attachment Lift Capacity Charts – Optional | 19 |
| Fully Extended Outriggers – 360° Rotation | 19 |
| 35.05 m Main Boom Length – 2° Fly Offset | 19 |
| 35.05 m Main Boom Length – 15° Fly Offset | 19 |
| Fully Extended Outriggers – 360° Rotation | 20 |
| 35.05 m Main Boom Length – 30° Fly Offset | 20 |
| 35.05 m Main Boom Length – 45° Fly Offset | 20 |
| Main Boom Lift Capacity Charts – 85% – Metric | 21 |
| 5.4t Counterweight – Fully Extended Outriggers – 360° Rotation | 21 |
| On Tires – Stationary – Boom Centered Over Front Between Tire Tracks | 22 |
| On Tires – Pick & Carry (Creep) – Boom Centered Over Front Between Tire Tracks | 23 |
| On Tires – Stationary – 360° Rotation | 23 |
| Fly Attachment Lift Capacity Charts – 85% – Optional | 24 |
| Fully Extended Outriggers – 360° Rotation | 24 |
| 35.05m Main Boom Length – 2° Fly Offset | 24 |
| 35.05m Main Boom Length – 15° Fly Offset | 24 |
| Fully Extended Outriggers – 360° Rotation | 25 |
| 115 ft Main Boom Length – 30° Fly Offset | 25 |
| 115 ft Main Boom Length – 45° Fly Offset | 25 |

Boom, Attachments, and Upper Structure

■ Boom

Design — Four section, formed construction of extra high tensile steel consisting of one base section and three telescoping sections. The first telescoping section extends independently by means of one double-acting, single stage hydraulic cylinder with integrated holding valves. The second and third telescoping sections extend proportionally by means of one double-acting, single stage cylinder with integrated holding valves and cables.

Boom

- 38 ft—115 ft (11.6—35.0m) four section full power boom
- Two mode boom extension: *A-max* mode provides superior capacities by extending the first telescoping section to 63 ft 8 in (19.4m). Standard mode synchronizes all the telescoping sections proportionally to 115 ft (35.0m). Controlled from the operator's cab.
- Mechanical boom angle indicator
- Maximum tip height for *A-max* mode is 73 ft 6 in (22.4m) and standard mode is 123 ft 9 in (37.7m).

Boom Head

- Four 16.5 in (41.9cm) root diameter nylon sheaves to handle up to eight parts of line
- Easily removable wire rope guards
- Rope dead end lugs on each side of the boom head
- Boom head is designed for quick-reeve of the hook block

Boom Elevation

- One double acting hydraulic cylinder with integral holding valve
- Boom elevation: -3° to 78°

Auxiliary Lifting Sheave — Optional

- Single 16.5 in (41.9m) root diameter nylon sheave
- Easily removable wire rope guards
- Does not affect erection of the fly or use of the main head sheaves

Hook Blocks and Balls — Optional

- 40 ton (36.3mt) 4 sheave quick-reeve hook block with safety latch
- 60 ton (54.4mt) 4 sheave quick-reeve hook block with safety latch
- 70 ton (63.5mt) 5 sheave quick-reeve hook block with safety latch
- 8.5 ton (7.7mt) swivel and non-swivel hook balls with safety latch

Fly — Optional

- 35 ft (10.7m) one piece lattice fly, stowable, offsettable to 2° , 15° , 30° , and 45° . Maximum tip height is 158 ft (48.2m).
- 35 ft—58 ft (10.7—17.7m) two piece bi-fold lattice fly, stowable, offsettable to 2° , 15° , 30° , and 45° . Maximum tip height is 180 ft 5 in (55.0m).

Fly Extensions — Optional

- One 16 ft (4.9m) lattice extensions, equipped with two 16.5 in (41.9cm) root diameter nylon sheaves, to be mounted between the boom head and fly options. Maximum tip height is 196 ft (59.7m).
- Two 16 ft (4.9m) lattice extensions, one equipped with two 16.5 in (41.9cm) root diameter nylon sheaves, to be mounted between the boom head and fly options. Maximum tip height is 211 ft 7 in (64.5m).

■ Operator's Cab and Controls

Environmental Cab — Fully enclosed, one person cab of galvaneal steel structure with acoustical insulation
Equipped with:

- Tinted and tempered glass windows
- Extra-large fixed front window with windshield wiper and washer
- Swing up roof window with windshield wiper and washer
- Sliding left side door with large fixed window
- Sliding rear and right side windows for ventilation
- Six way adjustable, cushioned seat with seat belt and storage compartment
- Diesel fired warm-water heater with air ducts for front windshield defroster and cab floor
- Defroster fan for the front window
- Bubble level
- Circulating fan
- Adjustable sun visor
- Dome light
- Cup holder
- Fire extinguisher
- Left side viewing mirror
- Two position travel swing lock

Air Conditioning — Optional — Integral with cab heating system utilizing the same ventilation outlets

Engine Dependent Heater — Optional — Flameless, warm-water system that does not have a separate fuel tank

Steering Column – Pedestal type with tilt and telescope functions for operator comfort. Column includes the following controls and indicators:

Left and right levers include:

- Horn button
- Turn signal switch
- Driving light switch
- Transmission direction switch

Panel mounted switches for:

- Travel park brake
- Steer mode selector
- 2/4 wheel drive/range selector
- Transmission gear selector
- Hazard flasher

Panel mounted indicator/warning lights for:

- Transmission temperature
- Turn signals
- Rear wheel offset
- Emergency steer – optional

Armrest Controls – Two dual axis hydraulic joystick controllers or optional single axis hydraulic controllers for:

- Swing
- Boom hoist
- Main rear winch
- Auxiliary front winch – optional
- Drum rotation indication
- Drum rotation indicator activation switch
- Winch high/low speed and disable switch(es)
- Telescopic override switch
- Warning horn button
- Swing park brake
- Engine throttle
- Heating controls
- Air conditioning – optional

Outrigger Controls – Hand held control box with umbilical cord gives the operator the freedom to view operation while setting the outriggers.

Foot Controls

- Boom telescope
- Swing brake
- Service brake

Right Front Console – Controls and indicators for:

- | | |
|-------------------------------------|---|
| • Engine ignition | • 12 volt power connections |
| • Engine throttle lock | • E–stop switch |
| • Function disable | • Ignition switch on indicator light |
| • Front windshield wiper and washer | • Boom floodlight's – optional |
| • Cab floodlights | • Rotating beacon/Strobe light – optional |
| • Warning horn | • Third wrap set and activate switches – optional |
| • Console dimmer switch | |
| • Bubble level | |
| • Emergency engine shutdown | |

(1) (Tier 4f / Stage IV engine only)

Cab Instrumentation – Ergonomically positioned LCD display, CANBUS instrumentation for crane operation including:

- | | |
|---|--------------------------|
| • Tachometer | • Swing park brake light |
| • Engine water temperature | • Engine speed |
| • Fuel level | • Engine oil pressure |
| • Hydraulic oil temperature | • Battery voltage |
| • Stop engine | • Fuel rate (gal/hr) |
| • Check engine | • Engine load |
| • Wait to start | • Engine Diagnostics |
| • Diesel exhaust fluid (DEF) level | |
| • Engine air filter high restriction light | |
| • Regeneration light ⁽¹⁾ | |
| • Regeneration inhibit switch ⁽¹⁾ | |
| • Regeneration initiate switch ⁽¹⁾ | |
| • High exhaust temperature light ⁽¹⁾ | |
| • Regeneration disabled light ⁽¹⁾ | |

(1) (Tier 4f / Stage IV engine only)

Camera Display – Located on dash console

- Displays right side of upper
- Displays main and auxiliary winches
- Displays rear view

Diagnostic Center – Located behind the operator's seat.

- Engine diagnostic
- RCL CANBUS diagnostic
- Crane Controller USB diagnostic
- RCL controller USB diagnostic

Link-Belt Pulse – The Link-Belt in-house designed, total crane operating system that utilizes the display as a readout and operator interface for the following systems:

- **Rated capacity limiter** – LCD graphic audio – visual warning system integrated into the dash with anti – two block and function limiter. Operating data includes:
 - Crane configuration
 - Boom length and angle
 - Boom head height
 - Allowed load and % of allowed load
 - RCL light bar
 - Outrigger position sensing
 - Drum rotation direction indication
 - Boom angle
 - Radius of load
 - Actual load
 - Wind speed
 - Highlighted unit of measurement on working screen
 - Telescope operation displayed in real time
 - Third wrap indicator
 - Diagnostics
 - Operator settable alarms (include):
 - Maximum and minimum boom angles
 - Maximum tip height
 - Maximum boom length
 - Swing left/right positions
 - Operator defined area (imaginary plane)
- **Internal RCL Light Bar** Visually informs the operator when crane is approaching maximum load capacity with a series of green, yellow, and red lights.

- **Telematics** – Cellular based data logging and monitoring system that provides:
 - Location and operational settings
 - Routine maintenance
 - Crane and engine monitoring
 - Diagnostic and fault codes

Integrated Third Wrap Indicator – Optional – Link-Belt Pulse color display visually and audibly warns the operator when the wire rope is on the first/bottom layer and when the wire rope is down to the last three wraps.

Integrated Third Wrap Function Kickout – Optional – Link-Belt Pulse color display visually and audibly warns the operator when the wire rope is on the first/bottom layer and provides a function kickout when the wire rope is down to the last three wraps.

External RCL Light Bar – Optional – Visually informs the ground crew when crane is approaching maximum load capacity with a series of green, yellow, and red lights.

■ Swing

Motor/Planetary – Bi-directional hydraulic swing motor mounted to a planetary reducer for 360° continuous smooth swing at 2.0 rpm

Swing Park Brake – 360°, electric over hydraulic, (spring applied/hydraulic released) multi-disc brake mounted on the speed reducer. Operated by a switch from the operator's cab.

Swing Brake – 360°, foot operated, hydraulic applied disc brake mounted to the speed reducer

Swing Lock – Two-position swing lock (boom over front or rear) operated from the operator's cab

360° Positive Swing Lock – Optional – Meets New York City requirement

■ Electrical

Swing Alarm – Audio warning device signals when the upper is swinging.

Lights

- Two LED working lights on front of the cab
- One amber strobe beacon on top of the cab
- One rotating amber beacon on top of the cab – optional
- One LED working light on top of cab – optional
- Boom floodlight – Single – optional
- Boom floodlight – Dual – optional
- Boom floodlight – High intensity remote controlled – optional

■ Load Hoist System

Load Hoist Performance

| Main (Rear) and Auxiliary (Front) Winches – 3/4 in (19mm) Rope | | | | | | | | | | |
|--|-------------------|-------|-------------------|-------|-----------------|-------|-------|------|-------|-------|
| Layer | Maximum Line Pull | | Normal Line Speed | | High Line Speed | | Layer | | Total | |
| | lb | kN | ft/min | m/min | ft/min | m/min | ft | m | ft | m |
| 1 | 16,883 | 75.10 | 183 | 55.7 | 322 | 98.1 | 86 | 26.2 | 86 | 26.2 |
| 2 | 15,253 | 67.85 | 203 | 61.8 | 356 | 108.5 | 96 | 29.3 | 182 | 55.5 |
| 3 | 13,910 | 61.87 | 222 | 67.6 | 390 | 118.9 | 105 | 32.0 | 287 | 87.5 |
| 4 | 12,785 | 56.87 | 242 | 73.7 | 425 | 129.5 | 114 | 34.7 | 401 | 122.2 |
| 5 | 11,828 | 52.61 | 261 | 79.5 | 459 | 139.9 | 123 | 37.5 | 524 | 159.7 |
| 6 | --- | --- | --- | --- | --- | --- | 133 | 40.5 | 657 | 200.3 |

| Wire Rope Application | | Diameter | | Type | Maximum Permissible Load | |
|-------------------------|----------|----------|----|---|--------------------------|---------|
| | | in | mm | | lb | kg |
| Main (Rear) Winch | Standard | 3/4 | 19 | 37x7 rotation resistant – right lang lay (Type KC) | 16,000 | 7 257.5 |
| | Optional | 3/4 | 19 | 34x7 rotation resistant – right regular lay (Type ZB) | 15,600 | 7 076.0 |
| Auxiliary (Front) Winch | Standard | 3/4 | 19 | 37x7 rotation resistant – right lang lay (Type KC) | 16,000 | 7 257.5 |
| | Optional | 3/4 | 19 | 34x7 rotation resistant – right regular lay (Type ZB) | 15,600 | 7 076.0 |

2M Main and Optional Auxiliary Winches

- Axial piston, full and half displacement (2-speed) motors driven through planetary reduction unit for positive control under all load conditions
- Grooved lagging
- Power up/down mode of operation
- Drum rotation indicator(s)
- Drum diameter: 13 in (33.0cm)
- Rope length:
 - Front: 500 ft (152.4m)
 - Rear: 600 ft (182.9m)
- Maximum rope storage: 657 ft (200.3m)
- Terminator style socket and wedge
- Hoist drum cable followers – optional

■ Hydraulic System

Counterbalance Valves – All hoist motors, boom extend cylinders, and boom hoist cylinders are equipped with counterbalance valves to provide load lowering and prevents accidental load drop when hydraulic power is suddenly reduced.

■ Counterweight

Total of 12,000 lb (5.4t) of counterweight pinned to the upper structure frame with capacities for the 12,000 lb (5.4t) configuration

Carrier

General

- 10 ft 7 in (3.22m) wide
- 14 ft 7 in (4.45m) wheelbase (centerline of first axle to centerline of second axle)

Frame — Box—type, torsion resistant, welded construction made of high tensile steel. Equipped with front and rear towing and tie—down lugs, tow connections, and access ladders.

Outriggers

Boxes — Two double box, front and rear welded to carrier frame

Beams and Jacks — Four single stage beams with Confined Area Lifting Capacities (CALC™) provide selectable outrigger extensions of full, intermediate, and retracted. Hydraulically controlled from the operator's cab with integral check valves.

Pontoons — Four lightweight, quick release, 23.5 x 23.5 in (59.7 x 59.7cm), steel pontoons with contact area of 460 in² (2 968cm²) can be stored for road travel in storage racks on the carrier.

Main Jack Reaction — 90,500 lb (41 050kg) force and 197 psi (1 358kPa) ground bearing pressure

Steering and Axles

Steering — Four independent modes consisting of two wheel front, two wheel rear, four wheel, and crab. Each mode is controlled from the steering wheel and is selected by a switch in the operator's cab.

Drive — Two modes: 4 x 2 and 4 x 4 for off highway travel

Axle 1 — Steered, non—driven for 4 x 2 and steered, driven for 4 x 4

Axle 2 — Steered, driven

Suspension

Front — Rigid mount to the carrier frame

Rear — The rear axle is suspended on the oscillation cylinders with motion of the axle controlled by a four bar linkage system. The oscillation cylinders lockout when the upper structure rotates 2.5° past centerline.

- Hydro—gas rear suspension — optional

Tires and Wheels

Front and Rear — Four (single) 26.5 x 25—26 ply rating, earthmover type tires on steel disc wheels

- Spare tires and wheels — optional

Brakes

Service — Full hydraulic, dual circuit, disc type brakes on all wheel ends

Parking/Emergency — Spring applied type, acting on front axle

Electrical

Two batteries provide 12 volt starting and operation

Lights

- Front lighting includes two main headlights and two parking/directional indicators.
- Side lighting includes two parking/directional indicators per side.
- Rear lighting includes two parking/directional indicators, two parking/brake lights, and two reversing lights.
- Other equipment includes hazard/warning system, cab light, instrument panel light, and signal horn.

Engine

| Specification | Cummins QSB | |
|--|---------------------------------|----------------------------------|
| Numbers of Cylinders | 6 | 6 |
| Cycle | 4 | 4 |
| Emissions Compliance Level: | Tier 4f/Stage IV ⁽¹⁾ | Tier 3/Stage IIIA ⁽²⁾ |
| Bore and Stroke: inch (mm) | 4.21 x 4.88 (107 x 124) | 4.21 x 4.88 (107 x 124) |
| Piston Displacement: in ³ (L) | 408 (6.7) | 408 (6.7) |
| Max. Brake Horsepower: hp (kW) | 270 (201) @ 2,000 rpm | 270 (201) @ 2,000 rpm |
| | 260 (194) @ 2,200 rpm | 260 (194) @ 2,200 rpm |
| Peak Torque: ft lb (Nm) | 730 (990) @ 1,500 rpm | 730 (990) @ 1,500 rpm |
| Electric/starting systems: volts | 12/12 | 12/12 |
| Alternator: amps | 160 | 160 |
| Crankcase Capacity: qt (L) | 15 (14.2) | 15 (14.2) |
| <ul style="list-style-type: none"> • Water/fuel separator w/ heater and water in fuel (WIF) sensor • 120—volt block heater — Tier 4f / Stage IV • 220—volt block heater — Tier 3 / Stage IIIA • Grid heater — 200 amp • Mechanically driven, variable speed, engine controlled, viscous fan clutch • ⁽¹⁾ Can only be sold and/or operated where Tier 4f and Stage IV off—highway emission standards are accepted. • ⁽²⁾ Can only be sold and/or operated where Tier 3 and Stage IIIA off—highway emission standards are accepted. | | |

Transmission

Powershift — Three speed with high/low range for 6 forward and 6 reverse gears. Front axle disconnect for two or four wheel drive. Front axle disconnects in high range.

■ Fuel Tank

One 75 gallon (283.9L) capacity tank
 Diesel Exhaust Fluid (DEF) tank

- One 5 gal (18.9L) capacity tank

■ Hydraulic System

All functions are hydraulically powered allowing positive precise control with independent or simultaneous operation of all functions.

Main Pumps

- One two section fixed displacement gear pump for the front/rear winches and boom hoist circuits.
- One two section fixed displacement gear pump for the swing/telescope, power steering/outrigger/telescope, service brake, and oscillation circuits.
- One single section gear pump for the hydraulic oil cooler fan drive.
- Combined pump capacity of 138 gpm (522.4Lpm)

Hydraulic Reservoir – 153 gal (579.2L) capacity equipped with sight level gauge. Diffusers built in for deaeration.

Filtration – One 10 micron, full flow line filter in the control circuit. All oil is filtered prior to return to reservoir.

Accessible for easy filter replacement.

■ Maximum Speed

23.2 mph (37.3 km/h)

■ Gradeability

| Counterweight | Ascending | | Descending | | Side | |
|-------------------|-----------|---------|------------|---------|---------|---------|
| | Degrees | % Grade | Degrees | % Grade | Degrees | % Grade |
| 0 | 20.0 | 36% | 11.0 | 19% | 5.0 | 9% |
| 12,000 lbs (5.4t) | 17.0 | 31% | 17.0 | 31% | | |

■ Pump Drive

All pumps are mounted on the transmission and mechanically driven by the diesel engine.

- Front/rear winches and boom hoist pumps can be disconnected with a manual pump disconnect to aid in cold weather starting.

■ Paint

Entire machine is pre-painted and oven baked with Highsolid Paint (2 part epoxy/polyester) and/or (2 part epoxy primer/2 part polyurethane top coat). Standard Link-Belt Red, Link-Belt Gray, and Gloss Black colors apply.

Axle Loads

| Base crane with full tank of fuel | Gross Vehicle Weight ⁽¹⁾ | | Upper Facing Front | | | | Upper Facing Rear | | | |
|---|-------------------------------------|--------|--------------------|--------|------------|--------|-------------------|--------|------------|--------|
| | lb | kg | Front Axles | | Rear Axles | | Front Axles | | Rear Axles | |
| | | | lb | kg | lb | kg | lb | kg | lb | kg |
| Tier 4f / Stage IV | 84,891 | 38 506 | 40,235 | 18 250 | 44,656 | 20 256 | 36,367 | 16 496 | 48,524 | 22 010 |
| Tier 3 / Stage IIIA | 84,834 | 38 480 | 40,520 | 18 380 | 44,314 | 20 101 | 36,652 | 16 625 | 48,181 | 21 855 |
| Pintle hook, front | 13 | 6 | 16 | 7 | -4 | -2 | 16 | 7 | -4 | -2 |
| Pintle hook, rear | 13 | 6 | -5 | -2 | 17 | 8 | -5 | -2 | 17 | 8 |
| Hydro-gas suspension | 48 | 22 | 17 | 8 | 31 | 14 | 17 | 8 | 31 | 14 |
| Operator in cab | 250 | 113 | 134 | 61 | 116 | 53 | 103 | 47 | 147 | 67 |
| Hoist drum follower – main | 67 | 30 | -28 | -13 | 95 | 43 | 92 | 42 | -25 | -11 |
| Auxiliary winch with 500 ft (152.4m) wire rope | 538 | 244 | -100 | -45 | 638 | 289 | 610 | 277 | -72 | -33 |
| Hoist drum follower – auxiliary | 67 | 30 | -17 | -8 | 84 | 38 | 80 | 36 | -13 | -6 |
| Substitute type “DB” rope with type “RB” rope – main winch | 126 | 57 | -44 | -20 | 170 | 77 | 164 | 74 | -38 | -17 |
| Substitute type “DB” rope with type “RB” rope – auxiliary winch | 105 | 48 | -19 | -9 | 124 | 56 | 119 | 54 | -14 | -6 |
| Substitute 500 ft (152.4m) wire rope with 600 ft (182.9m) – auxiliary | 104 | 47 | -19 | -9 | 123 | 56 | 118 | 54 | -14 | -6 |
| Remove 600 ft (182.9m) wire rope from rear (main) winch | -642 | -291 | 226 | 103 | -868 | -394 | -835 | -377 | 193 | 88 |
| Remove 500 ft (152.4m) wire rope from front (auxiliary) winch | -538 | -244 | 100 | 45 | -638 | -289 | -610 | -277 | 72 | 33 |
| Emergency steering | 260 | 118 | 35 | 16 | 225 | 102 | 212 | 96 | 48 | 22 |
| 360° mechanical swing lock | 140 | 64 | 52 | 24 | 88 | 40 | 81 | 37 | 59 | 27 |
| Air conditioning | 220 | 100 | 57 | 26 | 163 | 74 | 152 | 69 | 68 | 31 |
| Floodlight to front of boom base section | 7 | 3 | 13 | 6 | -6 | -3 | -6 | -3 | 13 | 6 |
| Fly mounting brackets to boom base section for fly options | 176 | 80 | 316 | 143 | -140 | -63 | -149 | -67 | 325 | 147 |
| 35 ft (10.67m) offsettable fly – stowed | 1,591 | 722 | 2,504 | 1 136 | -913 | -414 | -995 | -451 | 2,586 | 1 173 |
| 35–58 ft (10.67–17.68m) offsettable fly – stowed | 2,263 | 1 026 | 3,162 | 1 434 | -899 | -408 | -1,016 | -461 | 3,279 | 1 487 |
| Auxiliary lifting sheave | 110 | 50 | 297 | 135 | -187 | -85 | -193 | -88 | 303 | 137 |
| 60 ton (54.4mt) 4–sheave hook block at bumper | 1,109 | 503 | 1,635 | 742 | -526 | -239 | -583 | -264 | 1,692 | 767 |
| 70 ton (63.5mt) 5–sheave hook block at bumper | 1,400 | 635 | 2,064 | 936 | -664 | -301 | -736 | -334 | 2,136 | 969 |
| 8.5 ton (7.7mt) hook ball at bumper | 360 | 163 | 531 | 241 | -171 | -78 | -189 | -86 | 549 | 249 |
| 60 ton (54.4mt) 4–sheave hook block at boom head | 1,109 | 503 | 2,883 | 1 308 | -1,774 | -805 | -1,831 | -831 | 2,940 | 1 334 |
| 70 ton (63.5mt) 5–sheave hook block at boom head | 1,400 | 635 | 3,640 | 1 651 | -2,240 | -1 016 | -2,312 | -1 049 | 3,712 | 1 684 |
| 8.5 ton (7.7mt) hook ball at boom head | 360 | 163 | 936 | 425 | -576 | -261 | -595 | -670 | 955 | 433 |

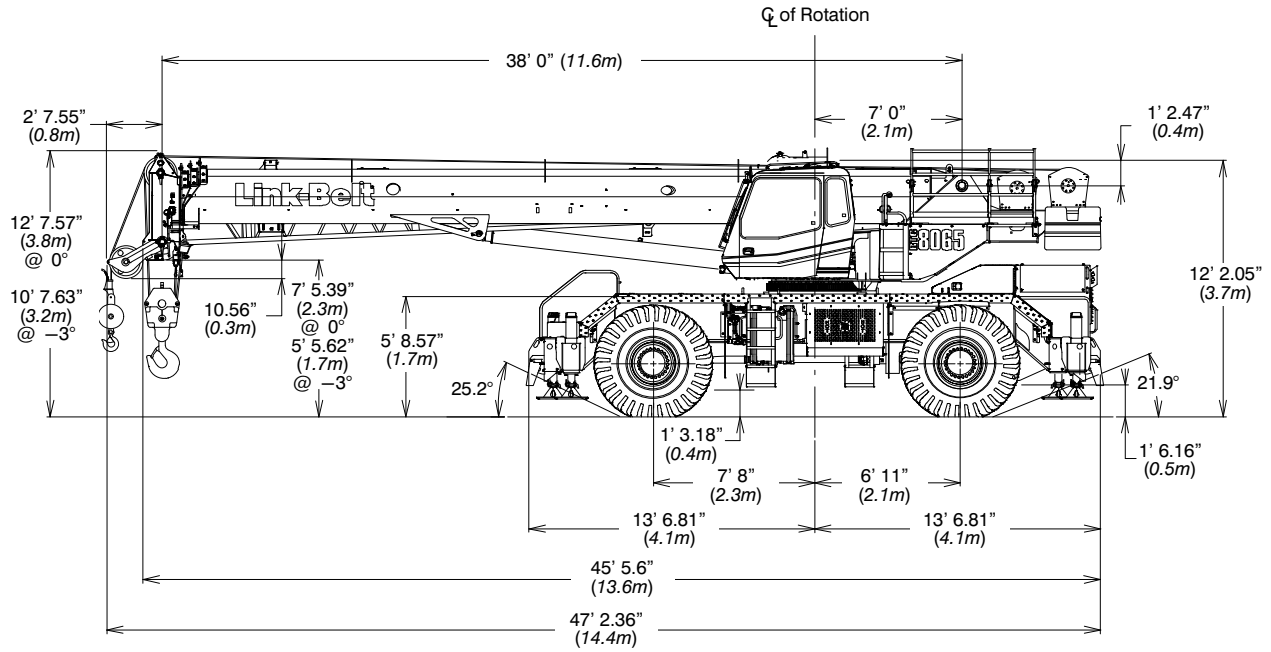
| Tire | Maximum Allowable Axle Load @ 25 mph (40.2km/h) |
|-------------------|---|
| 26.5 x 25 (26–PR) | 51,040 lb (23 151kg) |

(1) Adjust gross vehicle weight and axle loading according to component weight.

Note: All weights are ±3%.

General Dimensions

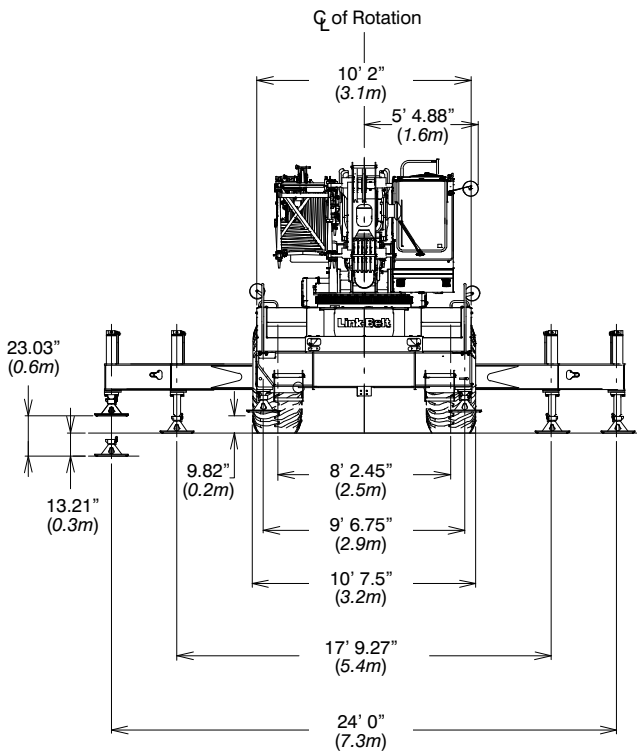
Tier 4f / Stage IV



| Turning Radius – Front Wheel (4x2) Steering | English | Metric |
|---|---------|--------|
| Wall to wall over carrier | 43' 2" | 13.2m |
| Wall to wall over boom attachment | 53' 3" | 16.2m |
| Curb to curb | 41' 6" | 12.6m |
| Centerline of tire | 40' 0" | 12.2m |

| Turning Radius – All Wheel (4x4) Steering | English | Metric |
|---|---------|--------|
| Wall to wall over carrier | 26' 6" | 8.1m |
| Wall to wall over boom attachment | 38' 0" | 11.6m |
| Curb to curb | 24' 10" | 7.6m |
| Centerline of tire | 23' 6" | 7.2m |

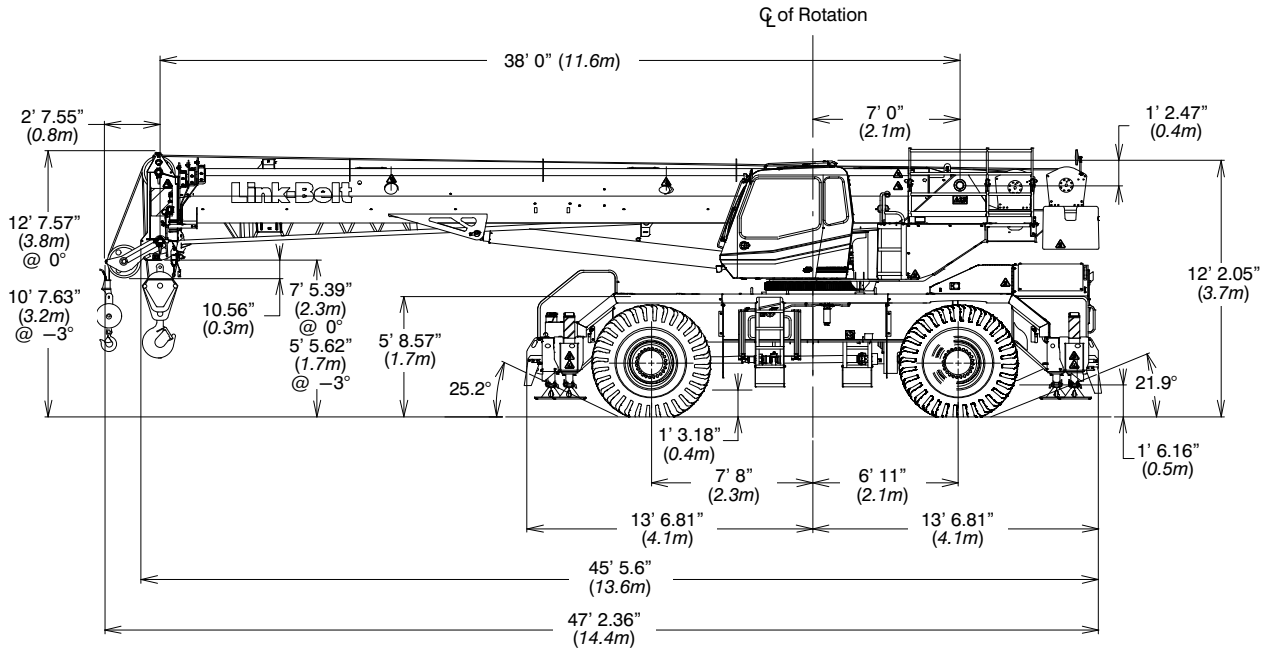
| Tail Swing | English | Metric |
|-----------------------|-----------|--------|
| With counterweight | 13' 8.14" | 4.2m |
| Without counterweight | N/A | N/A |



Not To Scale

General Dimensions

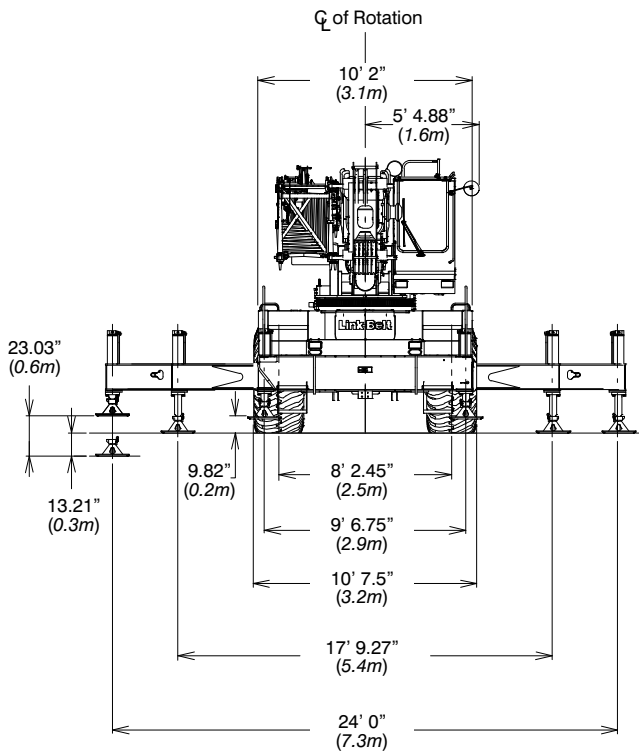
Tier 3 / Stage IIIA



| Turning Radius – Front Wheel (4x2) Steering | English | Metric |
|---|---------|--------|
| Wall to wall over carrier | 43' 2" | 13.2m |
| Wall to wall over boom attachment | 53' 3" | 16.2m |
| Curb to curb | 41' 6" | 12.6m |
| Centerline of tire | 40' 0" | 12.2m |

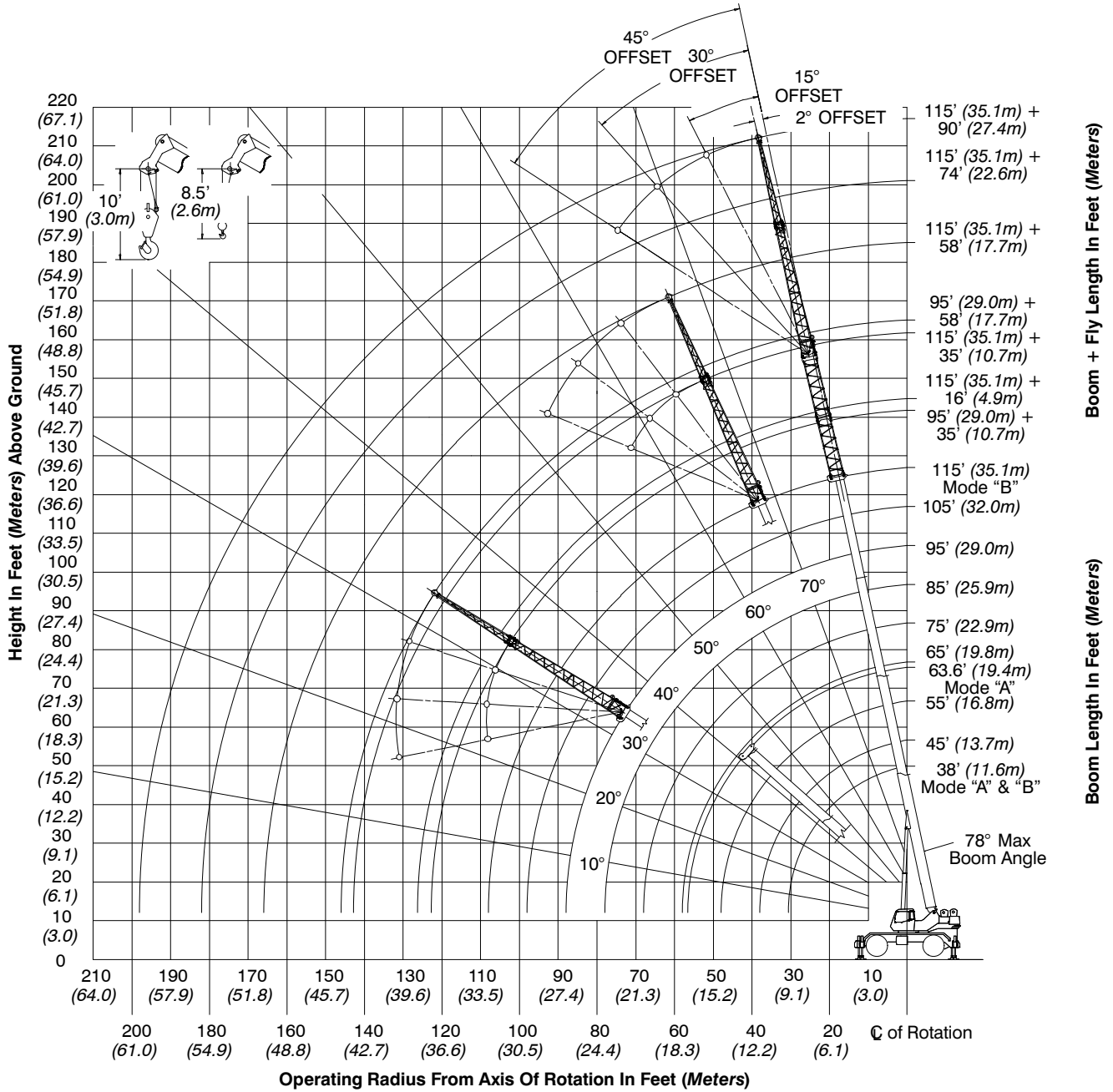
| Turning Radius – All Wheel (4x4) Steering | English | Metric |
|---|---------|--------|
| Wall to wall over carrier | 26' 6" | 8.1m |
| Wall to wall over boom attachment | 38' 0" | 11.6m |
| Curb to curb | 24' 10" | 7.6m |
| Centerline of tire | 23' 6" | 7.2m |

| Tail Swing | English | Metric |
|-----------------------|-----------|--------|
| With counterweight | 13' 8.14" | 4.2m |
| Without counterweight | N/A | N/A |



Not To Scale

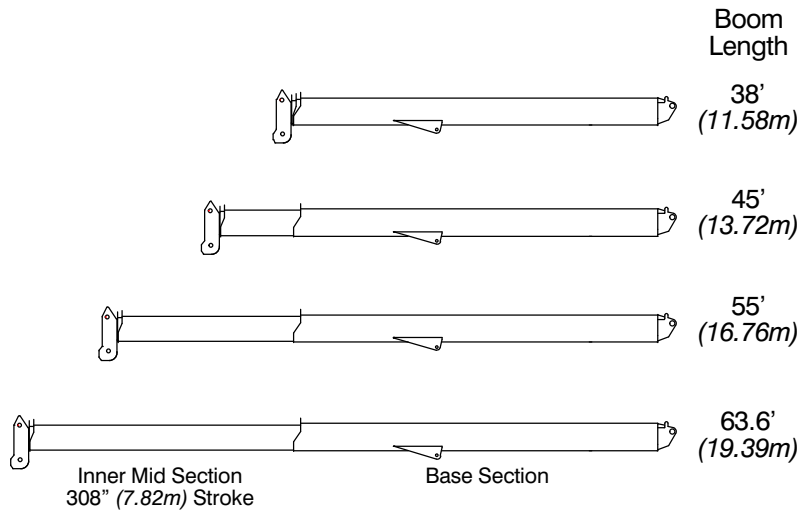
Working Range Diagram



Boom Extend Modes

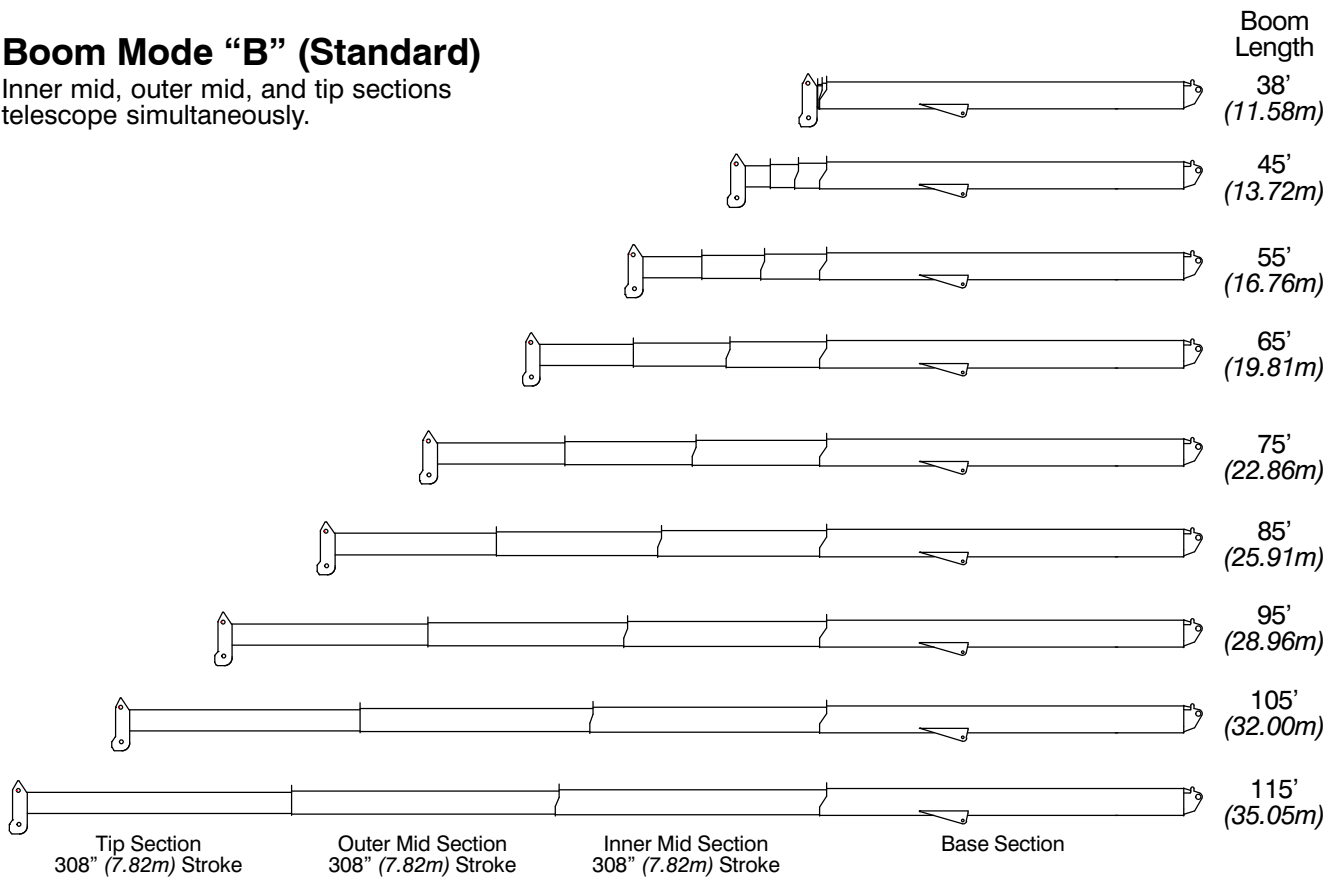
Boom Mode “A” (A-max)

Only inner mid section telescopes.



Boom Mode “B” (Standard)

Inner mid, outer mid, and tip sections telescope simultaneously.



Main Boom Lift Capacity Charts – Imperial

| Fully Extended Outriggers – 360° Rotation (All Capacities Are Listed In Pounds) | | | | | | | | | | |
|--|------------------|---------|---------|----------|--------|--------|--------|--------|--------|----------------|
| Radius (ft) | Boom Length (ft) | | | | | | | | | Radius (ft) |
| | 38 | 45 | 55 | 63.6/65 | 75 | 85 | 95 | 105 | 115 | |
| 9 | 130,000 | | | | | | | | | 9 |
| 10 | 120,000 | 108,200 | 106,100 | | | | | | | 10 |
| 12 | 108,900 | 104,600 | 98,100 | 71,900** | | | | | | 12 |
| 15 | 91,600 | 91,200 | 86,200 | 71,900** | 54,000 | | | | | 15 |
| 20 | 67,100 | 66,800 | 66,400 | 66,100** | 54,000 | 55,900 | 46,400 | | | 20 |
| 25 | 52,000 | 52,600 | 53,000 | 53,000 | 53,700 | 49,900 | 41,800 | 36,200 | 28,100 | 25 |
| 30 | 41,800 | 42,500 | 43,000 | 43,400 | 43,600 | 43,800 | 37,800 | 34,200 | 28,100 | 30 |
| 35 | | 33,300 | 33,900 | 34,200 | 34,400 | 34,600 | 34,000 | 30,700 | 28,100 | 35 |
| 40 | | | 26,400 | 26,700 | 26,900 | 27,100 | 27,200 | 27,300 | 25,700 | 40 |
| 45 | | | 21,200 | 21,600 | 21,800 | 22,000 | 22,100 | 22,100 | 22,200 | 45 |
| 50 | | | | 17,700 | 18,000 | 18,100 | 18,200 | 18,300 | 18,300 | 50 |
| 55 | | | | 14,800 | 15,000 | 15,100 | 15,200 | 15,300 | 15,400 | 55 |
| 60 | | | | | 12,700 | 12,800 | 12,900 | 13,000 | 13,000 | 60 |
| 65 | | | | | 10,800 | 11,000 | 11,100 | 11,200 | 11,200 | 65 |
| 70 | | | | | | 9,400 | 9,500 | 9,600 | 9,700 | 70 |
| 75 | | | | | | 8,100 | 8,200 | 8,300 | 8,300 | 75 |
| 80 | | | | | | | 7,100 | 7,100 | 7,200 | 80 |
| 85 | | | | | | | 6,100 | 6,200 | 6,200 | 85 |
| 90 | | | | | | | | 5,300 | 5,400 | 90 |
| 95 | | | | | | | | 4,600 | 4,600 | 95 |
| 100 | | | | | | | | | 4,000 | 100 |
| 105 | | | | | | | | | 3,400 | 105 |

** 63.6 A—max Mode

This information is not for crane operation. Operator must refer to the in-cab information for crane operation. Rated lifting capacities shown on fully extended outriggers do not exceed 85% of the tipping loads and on tires do not exceed 75% of the tipping loads.

| On Tires – Stationary – Boom Centered Over Front Between Tire Tracks (All Capacities Are Listed In Pounds) | | | | | | | |
|--|-------------------------|-----------|-----------|-----------|-----------|-----------|------------------------|
| Radius (ft) | Boom Length (ft) | | | | | | Radius (ft) |
| | 38 | 45 | 55 | 65 | 75 | 85 | |
| 10 | 64,000 | | | | | | 10 |
| 12 | 56,800 | 56,400 | | | | | 12 |
| 15 | 48,500 | 48,900 | 39,500 | | | | 15 |
| 20 | 38,400 | 39,100 | 39,500 | 30,400 | | | 20 |
| 25 | 29,000 | 29,700 | 30,100 | 30,400 | 22,400 | | 25 |
| 30 | 20,600 | 21,400 | 21,900 | 22,200 | 22,400 | 17,200 | 30 |
| 35 | | 16,000 | 16,600 | 16,900 | 17,100 | 17,200 | 35 |
| 40 | | | 12,900 | 13,300 | 13,400 | 13,600 | 40 |
| 45 | | | 10,200 | 10,600 | 10,800 | 11,000 | 45 |
| 50 | | | | 8,500 | 8,800 | 8,900 | 50 |
| 55 | | | | 6,800 | 7,100 | 7,300 | 55 |
| 60 | | | | | 5,700 | 5,900 | 60 |
| 65 | | | | | 4,600 | 4,800 | 65 |
| 70 | | | | | | 3,900 | 70 |
| 75 | | | | | | 3,100 | 75 |

This information is not for crane operation. Operator must refer to the in-cab information for crane operation. Rated lifting capacities shown on fully extended outriggers do not exceed 85% of the tipping loads and on tires do not exceed 75% of the tipping loads.

| On Tires – Pick & Carry (Creep) – Boom Centered Over Front (All Capacities Are Listed In Pounds) | | | | | | | |
|--|------------------|--------|--------|--------|--------|--------|----------------|
| Radius (ft) | Boom Length (ft) | | | | | | Radius (ft) |
| | 38 | 45 | 55 | 65 | 75 | 85 | |
| 10 | 63,000 | | | | | | 10 |
| 12 | 55,200 | 54,900 | | | | | 12 |
| 15 | 46,300 | 46,700 | 39,500 | | | | 15 |
| 20 | 35,700 | 36,100 | 36,600 | 30,400 | | | 20 |
| 25 | 28,300 | 28,800 | 29,300 | 29,600 | 22,400 | | 25 |
| 30 | 20,600 | 21,400 | 21,900 | 22,200 | 22,400 | 17,200 | 30 |
| 35 | | 16,000 | 16,600 | 16,900 | 17,100 | 17,200 | 35 |
| 40 | | | 12,900 | 13,300 | 13,400 | 13,600 | 40 |
| 45 | | | 10,200 | 10,600 | 10,800 | 11,000 | 45 |
| 50 | | | | 8,500 | 8,800 | 8,900 | 50 |
| 55 | | | | 6,800 | 7,100 | 7,300 | 55 |
| 60 | | | | | 5,700 | 5,900 | 60 |
| 65 | | | | | 4,600 | 4,800 | 65 |
| 70 | | | | | | 3,900 | 70 |
| 75 | | | | | | 3,100 | 75 |

| On Tires – Stationary – 360° Rotation (All Capacities Are Listed In Pounds) | | | | | | | |
|---|------------------|--------|--------|--------|--------|-------|----------------|
| Radius (ft) | Boom Length (ft) | | | | | | Radius (ft) |
| | 38 | 45 | 55 | 65 | 75 | 85 | |
| 10 | 47,700 | | | | | | 10 |
| 12 | 39,000 | 39,500 | | | | | 12 |
| 15 | 26,800 | 27,400 | 27,800 | | | | 15 |
| 20 | 16,200 | 16,800 | 17,300 | 17,600 | | | 20 |
| 25 | 10,500 | 11,100 | 11,700 | 12,000 | 12,200 | | 25 |
| 30 | 6,800 | 7,500 | 8,100 | 8,400 | 8,600 | 8,800 | 30 |
| 35 | | 5,000 | 5,600 | 5,900 | 6,200 | 6,300 | 35 |
| 40 | | | 3,800 | 4,100 | 4,400 | 4,600 | 40 |
| 45 | | | 2,400 | 2,800 | 3,000 | 3,200 | 45 |
| 50 | | | | 1,700 | 1,900 | 2,100 | 50 |
| 55 | | | | | 1,100 | 1,200 | 55 |

This information is not for crane operation. Operator must refer to the in-cab information for crane operation. Rated lifting capacities shown on fully extended outriggers do not exceed 85% of the tipping loads and on tires do not exceed 75% of the tipping loads.

Fly Attachment Lift Capacity Charts – Optional

| Fully Extended Outriggers – 360° Rotation (All Capacities Are Listed In Pounds) | | | | | | | | | |
|--|-----------------|-------|-------|-------|---|-----------------|-------|-------|-------|
| 115 ft Main Boom Length 2° Fly Offset | | | | | 115 ft Main Boom Length 15° Fly Offset | | | | |
| Radius (ft) | Fly Length (ft) | | | | Radius (ft) | Fly Length (ft) | | | |
| | 35 | 58 | 74 | 90 | | 35 | 58 | 74 | 90 |
| 35 | 13,100 | | | | 35 | | | | |
| 40 | 13,100 | | | | 40 | | | | |
| 45 | 13,100 | 8,800 | | | 45 | 11,800 | | | |
| 50 | 12,900 | 8,700 | 7,200 | | 50 | 11,500 | | | |
| 55 | 12,600 | 8,400 | 7,200 | 5,500 | 55 | 11,200 | | | |
| 60 | 12,300 | 8,200 | 7,200 | 5,500 | 60 | 11,000 | 7,100 | | |
| 65 | 12,000 | 8,000 | 7,000 | 5,400 | 65 | 10,700 | 6,900 | 5,900 | |
| 70 | 10,600 | 7,700 | 6,500 | 5,000 | 70 | 10,400 | 6,700 | 5,600 | 4,500 |
| 75 | 9,200 | 7,500 | 6,100 | 4,700 | 75 | 9,800 | 6,500 | 5,300 | 4,200 |
| 80 | 8,000 | 7,200 | 5,800 | 4,300 | 80 | 8,600 | 6,300 | 5,000 | 3,900 |
| 85 | 7,000 | 7,000 | 5,400 | 4,100 | 85 | 7,500 | 6,100 | 4,700 | 3,600 |
| 90 | 6,200 | 6,700 | 5,100 | 3,800 | 90 | 6,600 | 5,900 | 4,500 | 3,400 |
| 95 | 5,400 | 5,900 | 4,900 | 3,600 | 95 | 5,800 | 5,700 | 4,300 | 3,200 |
| 100 | 4,700 | 5,200 | 4,600 | 3,300 | 100 | 5,100 | 5,600 | 4,100 | 3,000 |
| 105 | 4,100 | 4,600 | 4,400 | 3,100 | 105 | 4,400 | 5,200 | 3,900 | 2,800 |
| 110 | 3,600 | 4,100 | 4,000 | 2,900 | 110 | 3,900 | 4,600 | 3,700 | 2,700 |
| 115 | 3,100 | 3,600 | 3,500 | 2,800 | 115 | 3,300 | 4,000 | 3,500 | 2,500 |
| 120 | 2,600 | 3,100 | 3,000 | 2,600 | 120 | 2,900 | 3,500 | 3,400 | 2,400 |
| 125 | 2,200 | 2,700 | 2,600 | 2,500 | 125 | 2,400 | 3,100 | 3,000 | 2,200 |
| 130 | 1,900 | 2,300 | 2,200 | 2,200 | 130 | 2,000 | 2,700 | 2,600 | 2,100 |
| 135 | 1,500 | 2,000 | 1,900 | 1,900 | 135 | 1,600 | 2,300 | 2,200 | 2,000 |
| 140 | 1,200 | 1,600 | 1,500 | 1,500 | 140 | 1,300 | 1,900 | 1,800 | 1,900 |
| 145 | | 1,400 | 1,200 | 1,200 | 145 | | 1,600 | 1,500 | 1,500 |
| 150 | | 1,100 | 1,000 | | 150 | | 1,300 | 1,200 | 1,200 |
| 155 | | 800 | | | 155 | | 1,000 | 900 | 900 |

This information is not for crane operation. Operator must refer to the in-cab information for crane operation. Rated lifting capacities shown on fully extended outriggers do not exceed 85% of the tipping loads and on tires do not exceed 75% of the tipping loads.

| Fully Extended Outriggers – 360° Rotation (All Capacities Are Listed In Pounds) | | | | | | | | | |
|--|-----------------|-------|-------|-------|---|-----------------|-------|-------|-------|
| 115 ft Main Boom Length 30° Fly Offset | | | | | 115 ft Main Boom Length 45° Fly Offset | | | | |
| Radius (ft) | Fly Length (ft) | | | | Radius (ft) | Fly Length (ft) | | | |
| | 35 | 58 | 74 | 90 | | 35 | 58 | 74 | 90 |
| 40 | | | | | 40 | | | | |
| 45 | | | | | 45 | | | | |
| 50 | | | | | 50 | | | | |
| 55 | 9,900 | | | | 55 | | | | |
| 60 | 9,700 | | | | 60 | 8,900 | | | |
| 65 | 9,500 | | | | 65 | 8,800 | | | |
| 70 | 9,400 | | | | 70 | 8,700 | | | |
| 75 | 9,200 | 5,600 | | | 75 | 8,600 | | | |
| 80 | 9,100 | 5,500 | 4,200 | | 80 | 8,600 | | | |
| 85 | 8,000 | 5,300 | 4,000 | 3,200 | 85 | 8,400 | 4,900 | | |
| 90 | 7,000 | 5,200 | 3,800 | 3,000 | 90 | 7,300 | 4,800 | 3,400 | |
| 95 | 6,200 | 5,100 | 3,700 | 2,900 | 95 | 6,400 | 4,700 | 3,300 | 2,600 |
| 100 | 5,400 | 5,000 | 3,500 | 2,700 | 100 | 5,600 | 4,700 | 3,200 | 2,500 |
| 105 | 4,700 | 4,900 | 3,400 | 2,500 | 105 | 4,900 | 4,700 | 3,100 | 2,300 |
| 110 | 4,100 | 4,900 | 3,200 | 2,400 | 110 | 4,200 | 4,600 | 3,000 | 2,200 |
| 115 | 3,500 | 4,500 | 3,100 | 2,300 | 115 | 3,600 | 4,600 | 2,900 | 2,100 |
| 120 | 3,000 | 3,900 | 3,000 | 2,100 | 120 | | 4,200 | 2,800 | 2,000 |
| 125 | 2,500 | 3,400 | 2,900 | 2,000 | 125 | | 3,700 | 2,700 | 1,900 |
| 130 | 2,100 | 3,000 | 2,800 | 1,900 | 130 | | 3,200 | 2,700 | 1,800 |
| 135 | | 2,500 | 2,500 | 1,800 | 135 | | 2,700 | 2,600 | 1,700 |
| 140 | | 2,200 | 2,200 | 1,700 | 140 | | 2,200 | 2,300 | 1,600 |
| 145 | | 1,800 | 1,800 | 1,600 | 145 | | | 1,900 | 1,600 |
| 150 | | 1,400 | 1,400 | 1,500 | 150 | | | 1,600 | 1,500 |
| 155 | | 1,100 | 1,100 | 1,200 | 155 | | | | 1,400 |
| 160 | | | 800 | 900 | 160 | | | | 1,000 |

This information is not for crane operation. Operator must refer to the in-cab information for crane operation. Rated lifting capacities shown on fully extended outriggers do not exceed 85% of the tipping loads and on tires do not exceed 75% of the tipping loads.

Main Boom Lift Capacity Charts – 75% – Metric

| Fully Extended Outriggers – 360° Rotation (All Capacities Are Listed In Kilograms) | | | | | | | | | | |
|---|-----------------|--------|--------|------------|--------|--------|--------|--------|--------|---------------|
| Radius (m) | Boom Length (m) | | | | | | | | | Radius (m) |
| | 11.58 | 13.7 | 16.8 | 19.39/19.8 | 22.9 | 25.9 | 29.0 | 32.0 | 35.05 | |
| 2.5 | 60 000 | | | | | | | | | 2.5 |
| 3 | 54 800 | 49 000 | 48 100 | | | | | | | 3 |
| 3.5 | 50 650 | 48 650 | 45 550 | 32 600** | | | | | | 3.5 |
| 4 | 46 900 | 45 250 | 42 300 | 32 600** | | | | | | 4 |
| 4.5 | 42 250 | 42 050 | 39 500 | 32 600** | 24 450 | | | | | 4.5 |
| 5 | 37 800 | 37 600 | 37 100 | 32 600** | 24 450 | | | | | 5 |
| 6 | 31 000 | 30 850 | 30 650 | 30 500** | 24 450 | 25 550 | 21 150 | | | 6 |
| 7 | 26 050 | 25 900 | 25 750 | 25 650** | 24 450 | 23 700 | 19 750 | | | 7 |
| 8 | 22 300 | 22 600 | 22 850 | 23 000 | 23 100 | 22 050 | 18 500 | 16 400 | 12 800 | 8 |
| 9 | 18 200 | 18 500 | 18 700 | 18 850 | 18 950 | 19 050 | 17 300 | 15 650 | 12 800 | 9 |
| 10 | | 15 050 | 15 300 | 15 450 | 15 550 | 15 600 | 15 650 | 14 550 | 12 800 | 10 |
| 12 | | | 10 900 | 11 050 | 11 100 | 11 200 | 11 250 | 11 250 | 11 300 | 12 |
| 14 | | | 8 150 | 8 300 | 8 400 | 8 450 | 8 500 | 8 500 | 8 550 | 14 |
| 16 | | | | 6 450 | 6 550 | 6 600 | 6 650 | 6 650 | 6 700 | 16 |
| 18 | | | | | 5 250 | 5 300 | 5 350 | 5 400 | 5 400 | 18 |
| 20 | | | | | 4 250 | 4 300 | 4 350 | 4 400 | 4 400 | 20 |
| 22 | | | | | | 3 500 | 3 550 | 3 600 | 3 600 | 22 |
| 24 | | | | | | | 2 900 | 2 950 | 3 000 | 24 |
| 26 | | | | | | | 2 400 | 2 450 | 2 450 | 26 |
| 28 | | | | | | | | 2 000 | 2 050 | 28 |
| 30 | | | | | | | | | 1 650 | 30 |
| 32 | | | | | | | | | 1 350 | 32 |

** 19.39 A—max Mode

This information is not for crane operation. Operator must refer to the in-cab information for crane operation. Rated lifting capacities shown on fully extended outriggers do not exceed 75% of the tipping loads and on tires do not exceed 65% of the tipping loads.

| On Tires – Stationary – Boom Centered Over Front Between Tire Tracks (All Capacities Are Listed In Kilograms) | | | | | | | |
|--|------------------------|-------------|-------------|-------------|-------------|-------------|-----------------------|
| Radius (m) | Boom Length (m) | | | | | | Radius (m) |
| | 11.58 | 13.7 | 16.8 | 19.8 | 22.9 | 25.9 | |
| 3 | 29 000 | | | | | | 3 |
| 3.5 | 26 500 | | | | | | 3.5 |
| 4 | 24 200 | 24 050 | | | | | 4 |
| 4.5 | 22 250 | 22 450 | 17 900 | | | | 4.5 |
| 5 | 20 550 | 20 750 | 17 900 | | | | 5 |
| 6 | 17 700 | 17 950 | 17 900 | 13 750 | | | 6 |
| 7 | 13 350 | 13 600 | 13 750 | 13 750 | | | 7 |
| 8 | 10 400 | 10 700 | 10 900 | 11 000 | 10 150 | | 8 |
| 9 | 8 350 | 8 650 | 8 850 | 8 950 | 9 000 | 7 800 | 9 |
| 10 | | 7 100 | 7 350 | 7 450 | 7 500 | 7 550 | 10 |
| 12 | | | 5 250 | 5 400 | 5 450 | 5 500 | 12 |
| 14 | | | 3 800 | 4 000 | 4 100 | 4 150 | 14 |
| 16 | | | | 3 000 | 3 100 | 3 150 | 16 |
| 18 | | | | | 2 350 | 2 400 | 18 |
| 20 | | | | | 1 750 | 1 850 | 20 |
| 22 | | | | | | 1 400 | 22 |

This information is not for crane operation. Operator must refer to the in-cab information for crane operation. Rated lifting capacities shown on fully extended outriggers do not exceed 75% of the tipping loads and on tires do not exceed 65% of the tipping loads.

| On Tires — Pick & Carry (Creep) — Boom Centered Over Front (All Capacities Are Listed In Kilograms) | | | | | | | |
|---|------------------------|-------------|-------------|-------------|-------------|-------------|-----------------------|
| Radius (m) | Boom Length (m) | | | | | | Radius (m) |
| | 11.58 | 13.7 | 16.8 | 19.8 | 22.9 | 25.9 | |
| 3 | 28 550 | | | | | | 3 |
| 3.5 | 25 900 | | | | | | 3.5 |
| 4 | 23 400 | 23 550 | | | | | 4 |
| 4.5 | 21 250 | 21 450 | 17 900 | | | | 4.5 |
| 5 | 19 400 | 19 600 | 17 900 | | | | 5 |
| 6 | 16 400 | 16 650 | 16 850 | 13 750 | | | 6 |
| 7 | 13 350 | 13 600 | 13 750 | 13 750 | | | 7 |
| 8 | 10 400 | 10 700 | 10 900 | 11 000 | 10 150 | | 8 |
| 9 | 8 350 | 8 650 | 8 850 | 8 950 | 9 000 | 7 800 | 9 |
| 10 | | 7 100 | 7 350 | 7 450 | 7 500 | 7 550 | 10 |
| 12 | | | 5 250 | 5 400 | 5 450 | 5 500 | 12 |
| 14 | | | 3 800 | 4 000 | 4 100 | 4 150 | 14 |
| 16 | | | | 3 000 | 3 100 | 3 150 | 16 |
| 18 | | | | | 2 350 | 2 400 | 18 |
| 20 | | | | | 1 750 | 1 850 | 20 |
| 22 | | | | | | 1 400 | 22 |

| On Tires — Stationary — 360° Rotation (All Capacities Are Listed In Kilograms) | | | | | | | |
|--|------------------------|-------------|-------------|-------------|-------------|-------------|-----------------------|
| Radius (m) | Boom Length (m) | | | | | | Radius (m) |
| | 11.58 | 13.7 | 16.8 | 19.8 | 22.9 | 25.9 | |
| 3 | 21 550 | | | | | | 3 |
| 3.5 | 16 500 | | | | | | 3.5 |
| 4 | 13 200 | 13 400 | | | | | 4 |
| 4.5 | 10 850 | 11 050 | 11 200 | | | | 4.5 |
| 5 | 9 050 | 9 300 | 9 450 | | | | 5 |
| 6 | 6 550 | 6 800 | 7 000 | 7 100 | | | 6 |
| 7 | 4 900 | 5 150 | 5 350 | 5 450 | | | 7 |
| 8 | 3 700 | 3 950 | 4 150 | 4 300 | 4 350 | | 8 |
| 9 | 2 800 | 3 050 | 3 250 | 3 400 | 3 500 | 3 550 | 9 |
| 10 | | 2 350 | 2 550 | 2 700 | 2 800 | 2 850 | 10 |
| 12 | | | 1 550 | 1 700 | 1 800 | 1 850 | 12 |
| 14 | | | 850 | 1 000 | 1 100 | 1 150 | 14 |
| 16 | | | | 450 | 550 | 650 | 16 |

This information is not for crane operation. Operator must refer to the in-cab information for crane operation. Rated lifting capacities shown on fully extended outriggers do not exceed 75% of the tipping loads and on tires do not exceed 65% of the tipping loads.

Fly Attachment Lift Capacity Charts – Optional

| Fully Extended Outriggers – 360° Rotation (All Capacities Are Listed In Kilograms) | | | | | | | | | |
|---|----------------|-------|-------|-------|--|----------------|-------|-------|-------|
| 35.05 m Main Boom Length 2° Fly Offset | | | | | 35.05 m Main Boom Length 15° Fly Offset | | | | |
| Radius (m) | Fly Length (m) | | | | Radius (m) | Fly Length (m) | | | |
| | 10.67 | 17.68 | 22.56 | 27.43 | | 10.67 | 17.68 | 22.56 | 27.43 |
| 12 | 5 900 | | | | 12 | | | | |
| 14 | 5 900 | 4 000 | | | 14 | 5 350 | | | |
| 16 | 5 750 | 3 850 | 3 250 | | 16 | 5 150 | | | |
| 18 | 5 600 | 3 750 | 3 250 | 2 500 | 18 | 5 000 | | | |
| 20 | 4 750 | 3 600 | 3 150 | 2 400 | 20 | 4 850 | 3 100 | 2 650 | |
| 22 | 3 950 | 3 450 | 2 900 | 2 200 | 22 | 4 200 | 3 000 | 2 450 | 1 950 |
| 24 | 3 300 | 3 300 | 2 650 | 2 000 | 24 | 3 550 | 2 850 | 2 300 | 1 800 |
| 26 | 2 800 | 3 000 | 2 450 | 1 850 | 26 | 2 950 | 2 750 | 2 150 | 1 650 |
| 28 | 2 350 | 2 550 | 2 300 | 1 700 | 28 | 2 500 | 2 650 | 2 000 | 1 500 |
| 30 | 1 950 | 2 150 | 2 100 | 1 550 | 30 | 2 100 | 2 400 | 1 850 | 1 400 |
| 32 | 1 650 | 1 850 | 1 800 | 1 400 | 32 | 1 750 | 2 050 | 1 750 | 1 300 |
| 34 | 1 350 | 1 550 | 1 500 | 1 300 | 34 | 1 450 | 1 750 | 1 650 | 1 200 |
| 36 | 1 100 | 1 300 | 1 250 | 1 200 | 36 | 1 200 | 1 450 | 1 450 | 1 100 |
| 38 | 900 | 1 050 | 1 050 | 1 050 | 38 | 950 | 1 250 | 1 200 | 1 000 |
| 40 | 700 | 900 | 850 | 850 | 40 | 750 | 1 000 | 950 | 950 |
| 42 | 550 | 700 | 650 | 650 | 42 | 550 | 800 | 800 | 800 |
| 44 | | 550 | 500 | 500 | 44 | | 650 | 600 | 600 |
| 46 | | 400 | | | 46 | | 500 | 450 | 450 |
| 48 | | | | | 48 | | 350 | | |

This information is not for crane operation. Operator must refer to the in-cab information for crane operation. Rated lifting capacities shown on fully extended outriggers do not exceed 75% of the tipping loads and on tires do not exceed 65% of the tipping loads.

| Fully Extended Outriggers – 360° Rotation (All Capacities Are Listed In Kilograms) | | | | | | | | | |
|---|----------------|-------|-------|-------|--|----------------|-------|-------|-------|
| 35.05 m Main Boom Length 30° Fly Offset | | | | | 35.05 m Main Boom Length 45° Fly Offset | | | | |
| Radius (m) | Fly Length (m) | | | | Radius (m) | Fly Length (m) | | | |
| | 10.67 | 17.68 | 22.56 | 27.43 | | 10.67 | 17.68 | 22.56 | 27.43 |
| 18 | 4 450 | | | | 18 | | | | |
| 20 | 4 300 | | | | 20 | 4 000 | | | |
| 22 | 4 200 | | | | 22 | 3 950 | | | |
| 24 | 3 750 | 2 500 | | | 24 | 3 900 | | | |
| 26 | 3 150 | 2 400 | 1 800 | 1 450 | 26 | 3 300 | 2 200 | | |
| 28 | 2 650 | 2 350 | 1 700 | 1 350 | 28 | 2 800 | 2 150 | 1 550 | |
| 30 | 2 250 | 2 300 | 1 600 | 1 250 | 30 | 2 350 | 2 150 | 1 450 | 1 150 |
| 32 | 1 900 | 2 250 | 1 550 | 1 150 | 32 | 1 950 | 2 100 | 1 400 | 1 050 |
| 34 | 1 550 | 1 950 | 1 450 | 1 050 | 34 | 1 600 | 2 100 | 1 350 | 1 000 |
| 36 | 1 250 | 1 650 | 1 400 | 1 000 | 36 | | 1 750 | 1 300 | 900 |
| 38 | 1 000 | 1 350 | 1 300 | 900 | 38 | | 1 450 | 1 250 | 850 |
| 40 | 800 | 1 150 | 1 150 | 850 | 40 | | 1 200 | 1 200 | 800 |
| 42 | | 900 | 900 | 800 | 42 | | 950 | 1 000 | 750 |
| 44 | | 700 | 700 | 750 | 44 | | | 800 | 700 |
| 46 | | 550 | 550 | 550 | 46 | | | 600 | 650 |
| 48 | | | 400 | 400 | 48 | | | | 450 |

This information is not for crane operation. Operator must refer to the in-cab information for crane operation. Rated lifting capacities shown on fully extended outriggers do not exceed 75% of the tipping loads and on tires do not exceed 65% of the tipping loads.

Main Boom Lift Capacity Charts – 85% – Metric

| 5.4t Counterweight – Fully Extended Outriggers – 360° Rotation (All Capacities Are Listed In Kilograms) | | | | | | | | | | | |
|--|-----------------|--------|--------|--------|--------|--------|--------|--------|--------|--------|---------------|
| Radius (m) | Boom Length (m) | | | | | | | | | | Radius (m) |
| | 11.58 | 13.7 | 16.8 | 19.39 | 19.8 | 22.9 | 25.9 | 29.0 | 32.0 | 35.05 | |
| 2.5 | 60 000 | | | | | | | | | | 2.5 |
| 3 | 54 800 | 49 000 | 48 100 | | | | | | | | 3 |
| 3.5 | 50 650 | 48 650 | 45 550 | 32 600 | | | | | | | 3.5 |
| 4 | 46 900 | 45 250 | 42 300 | 32 600 | 24 000 | | | | | | 4 |
| 4.5 | 42 250 | 42 050 | 39 500 | 32 600 | 24 000 | 24 050 | | | | | 4.5 |
| 5 | 37 800 | 37 600 | 37 100 | 32 600 | 24 000 | 24 050 | | | | | 5 |
| 6 | 31 000 | 30 850 | 30 650 | 30 500 | 24 000 | 24 050 | 25 550 | 21 150 | | | 6 |
| 7 | 26 050 | 25 900 | 25 750 | 25 650 | 24 000 | 24 050 | 23 750 | 19 750 | | | 7 |
| 8 | 22 300 | 22 600 | 22 850 | 21 950 | 23 000 | 23 100 | 22 050 | 18 500 | 16 400 | 12 800 | 8 |
| 9 | 19 300 | 19 650 | 19 900 | 19 000 | 20 050 | 20 150 | 20 200 | 17 300 | 15 650 | 12 800 | 9 |
| 10 | | 17 100 | 17 350 | 16 100 | 17 500 | 17 600 | 17 650 | 16 150 | 14 550 | 12 800 | 10 |
| 12 | | | 12 350 | 11 250 | 12 500 | 12 600 | 12 650 | 12 700 | 12 750 | 11 800 | 12 |
| 14 | | | 9 250 | 8 250 | 9 400 | 9 500 | 9 600 | 9 650 | 9 700 | 9 700 | 14 |
| 16 | | | | 6 200 | 7 350 | 7 450 | 7 500 | 7 550 | 7 600 | 7 600 | 16 |
| 18 | | | | | | 5 950 | 6 000 | 6 050 | 6 050 | 6 100 | 18 |
| 20 | | | | | | 4 800 | 4 900 | 4 950 | 4 950 | 5 000 | 20 |
| 22 | | | | | | | 4 000 | 4 050 | 4 100 | 4 100 | 22 |
| 24 | | | | | | | | 3 300 | 3 350 | 3 400 | 24 |
| 26 | | | | | | | | 2 700 | 2 750 | 2 800 | 26 |
| 28 | | | | | | | | | 2 300 | 2 300 | 28 |
| 30 | | | | | | | | | | 1 900 | 30 |
| 32 | | | | | | | | | | 1 550 | 32 |

** 19.39 A—max Mode

This information is not for crane operation. Operator must refer to the in-cab information for crane operation. Rated lifting capacities shown on fully extended outriggers do not exceed 85% of the tipping loads and on tires do not exceed 75% of the tipping loads.

| On Tires – Stationary – Boom Centered Over Front Between Tire Tracks (All Capacities Are Listed In Kilograms) | | | | | | | | |
|---|------------------------|-------------|-------------|--------------|-------------|-------------|-----------------------|-------------|
| Radius (m) | Boom Length (m) | | | | | | Radius (m) | |
| | 11.58 | 13.7 | 16.8 | 19.39 | 19.8 | 22.9 | | 25.9 |
| 3 | 29 000 | | | | | | | 3 |
| 3.5 | 26 500 | | | | | | | 3.5 |
| 4 | 24 200 | 24 050 | | | | | | 4 |
| 4.5 | 22 250 | 22 450 | 17 900 | | | | | 4.5 |
| 5 | 20 550 | 20 750 | 17 900 | | | | | 5 |
| 6 | 17 700 | 17 950 | 17 900 | 12 600 | 13 750 | | | 6 |
| 7 | 14 950 | 15 250 | 15 550 | 12 600 | 13 750 | | | 7 |
| 8 | 12 000 | 12 350 | 12 550 | 11 550 | 12 650 | 10 150 | | 8 |
| 9 | 9 650 | 10 000 | 10 250 | 9 250 | 10 350 | 10 150 | 7 800 | 9 |
| 10 | | 8 200 | 8 500 | 7 550 | 8 600 | 8 700 | 7 800 | 10 |
| 12 | | | 6 050 | 5 250 | 6 200 | 6 300 | 6 350 | 12 |
| 14 | | | 4 400 | 3 650 | 4 600 | 4 700 | 4 800 | 14 |
| 16 | | | | 2 550 | 3 450 | 3 550 | 3 650 | 16 |
| 18 | | | | | | 2 700 | 2 800 | 18 |
| 20 | | | | | | 2 050 | 2 150 | 20 |
| 22 | | | | | | | 1 600 | 22 |

This information is not for crane operation. Operator must refer to the in-cab information for crane operation. Rated lifting capacities shown on fully extended outriggers do not exceed 85% of the tipping loads and on tires do not exceed 75% of the tipping loads.

| On Tires – Pick & Carry (Creep) – Boom Centered Over Front Between Tire Tracks (All Capacities Are Listed In Kilograms) | | | | | | | | |
|--|------------------------|-------------|-------------|--------------|-------------|-------------|-------------|-----------------------|
| Radius (m) | Boom Length (m) | | | | | | | Radius (m) |
| | 11.58 | 13.7 | 16.8 | 19.39 | 19.8 | 22.9 | 25.9 | |
| 3 | 28 550 | | | | | | | 3 |
| 3.5 | 25 900 | | | | | | | 3.5 |
| 4 | 23 400 | 23 550 | | | | | | 4 |
| 4.5 | 21 250 | 21 450 | 17 900 | | | | | 4.5 |
| 5 | 19 400 | 19 600 | 17 900 | | | | | 5 |
| 6 | 16 450 | 16 650 | 16 850 | 12 600 | 13 750 | | | 6 |
| 7 | 14 050 | 14 300 | 14 500 | 12 600 | 13 750 | | | 7 |
| 8 | 12 000 | 12 350 | 12 550 | 11 550 | 12 650 | 10 150 | | 8 |
| 9 | 9 650 | 10 000 | 10 250 | 9 250 | 10 350 | 10 150 | 7 800 | 9 |
| 10 | | 8 200 | 8 500 | 7 550 | 8 600 | 8 700 | 7 800 | 10 |
| 12 | | | 6 050 | 5 250 | 6 200 | 6 300 | 6 350 | 12 |
| 14 | | | 4 400 | 3 650 | 4 600 | 4 700 | 4 800 | 14 |
| 16 | | | | 2 550 | 3 450 | 3 550 | 3 650 | 16 |
| 18 | | | | | | 2 700 | 2 800 | 18 |
| 20 | | | | | | 2 050 | 2 150 | 20 |
| 22 | | | | | | | 1 600 | 22 |

| On Tires – Stationary – 360° Rotation (All Capacities Are Listed In Kilograms) | | | | | | | | |
|---|------------------------|-------------|-------------|--------------|-------------|-------------|-------------|-----------------------|
| Radius (m) | Boom Length (m) | | | | | | | Radius (m) |
| | 11.58 | 13.7 | 16.8 | 19.39 | 19.8 | 22.9 | 25.9 | |
| 3 | 21 950 | | | | | | | 3 |
| 3.5 | 18 950 | | | | | | | 3.5 |
| 4 | 15 250 | 15 450 | | | | | | 4 |
| 4.5 | 12 500 | 12 750 | 12 950 | | | | | 4.5 |
| 5 | 10 450 | 10 750 | 10 900 | | | | | 5 |
| 6 | 7 550 | 7 850 | 8 050 | 7 150 | 8 200 | | | 6 |
| 7 | 5 650 | 5 900 | 6 200 | 5 350 | 6 300 | | | 7 |
| 8 | 4 300 | 4 550 | 4 800 | 4 050 | 5 000 | 5 050 | | 8 |
| 9 | 3 250 | 3 550 | 3 800 | 3 050 | 3 950 | 4 050 | 4 100 | 9 |
| 10 | | 2 700 | 3 000 | 2 250 | 3 150 | 3 250 | 3 300 | 10 |
| 12 | | | 1 800 | 1 100 | 1 950 | 2 100 | 2 150 | 12 |
| 14 | | | 1 000 | | 1 150 | 1 250 | 1 350 | 14 |
| 16 | | | | | | 650 | 750 | 16 |

This information is not for crane operation. Operator must refer to the in-cab information for crane operation. Rated lifting capacities shown on fully extended outriggers do not exceed 85% of the tipping loads and on tires do not exceed 75% of the tipping loads.

Fly Attachment Lift Capacity Charts – 85% – Optional

| Fully Extended Outriggers – 360° Rotation (All Capacities Are Listed In Kilograms) | | | | | | | | | |
|---|----------------|-------|-------|-------|---|----------------|-------|-------|-------|
| 35.05m Main Boom Length 2° Fly Offset | | | | | 35.05m Main Boom Length 15° Fly Offset | | | | |
| Radius (m) | Fly Length (m) | | | | Radius (m) | Fly Length (m) | | | |
| | 10.67 | 17.68 | 22.56 | 27.43 | | 10.67 | 17.68 | 22.56 | 27.43 |
| 12 | 5 900 | | | | 12 | | | | |
| 14 | 5 900 | 4 000 | | | 14 | 5 350 | | | |
| 16 | 5 750 | 3 850 | 3 250 | | 16 | 5 150 | | | |
| 18 | 5 600 | 3 750 | 3 250 | 2 500 | 18 | 5 000 | | | |
| 20 | 5 400 | 3 600 | 3 150 | 2 400 | 20 | 4 850 | 3 100 | 2 650 | |
| 22 | 4 500 | 3 450 | 2 900 | 2 200 | 22 | 4 700 | 3 000 | 2 450 | 1 950 |
| 24 | 3 750 | 3 300 | 2 650 | 2 000 | 24 | 4 000 | 2 850 | 2 300 | 1 800 |
| 26 | 3 150 | 3 150 | 2 450 | 1 850 | 26 | 3 400 | 2 750 | 2 150 | 1 650 |
| 28 | 2 650 | 2 900 | 2 300 | 1 700 | 28 | 2 850 | 2 650 | 2 000 | 1 500 |
| 30 | 2 200 | 2 450 | 2 100 | 1 550 | 30 | 2 400 | 2 550 | 1 850 | 1 400 |
| 32 | 1 850 | 2 100 | 2 000 | 1 400 | 32 | 2 000 | 2 350 | 1 750 | 1 300 |
| 34 | 1 550 | 1 750 | 1 700 | 1 300 | 34 | 1 650 | 2 000 | 1 650 | 1 200 |
| 36 | 1 250 | 1 500 | 1 400 | 1 200 | 36 | 1 350 | 1 700 | 1 550 | 1 100 |
| 38 | 1 000 | 1 250 | 1 150 | 1 100 | 38 | 1 100 | 1 400 | 1 350 | 1 000 |
| 40 | 800 | 1 000 | 950 | 950 | 40 | 850 | 1 150 | 1 100 | 950 |
| 42 | | 800 | 750 | 700 | 42 | | 950 | 900 | 900 |
| 44 | | 650 | 550 | 550 | 44 | | 750 | 700 | 700 |
| 46 | | | | | 46 | | 550 | 500 | 500 |
| 48 | | | | | 48 | | | | |

This information is not for crane operation. Operator must refer to the in-cab information for crane operation. Rated lifting capacities shown on fully extended outriggers do not exceed 85% of the tipping loads and on tires do not exceed 75% of the tipping loads.

| Fully Extended Outriggers – 360° Rotation (All Capacities Are Listed In Kilograms) | | | | | | | | | |
|---|----------------|-------|-------|-------|---|----------------|-------|-------|-------|
| 115 ft Main Boom Length 30° Fly Offset | | | | | 115 ft Main Boom Length 45° Fly Offset | | | | |
| Radius (m) | Fly Length (m) | | | | Radius (m) | Fly Length (m) | | | |
| | 10.67 | 17.68 | 22.56 | 27.43 | | 10.67 | 17.68 | 22.56 | 27.43 |
| 18 | 4 450 | | | | 18 | | | | |
| 20 | 4 300 | | | | 20 | 4 000 | | | |
| 22 | 4 200 | | | | 22 | 3 950 | | | |
| 24 | 4 100 | 2 500 | | | 24 | 3 900 | | | |
| 26 | 3 600 | 2 400 | 1 800 | 1 450 | 26 | 3 750 | 2 200 | | |
| 28 | 3 050 | 2 350 | 1 700 | 1 350 | 28 | 3 150 | 2 150 | 1 550 | |
| 30 | 2 550 | 2 300 | 1 600 | 1 250 | 30 | 2 650 | 2 150 | 1 450 | 1 150 |
| 32 | 2 150 | 2 250 | 1 550 | 1 150 | 32 | 2 200 | 2 100 | 1 400 | 1 050 |
| 34 | 1 750 | 2 200 | 1 450 | 1 050 | 34 | 1 850 | 2 100 | 1 350 | 1 000 |
| 36 | 1 450 | 1 850 | 1 400 | 1 000 | 36 | | 2 000 | 1 300 | 900 |
| 38 | 1 150 | 1 550 | 1 300 | 900 | 38 | | 1 700 | 1 250 | 850 |
| 40 | 900 | 1 300 | 1 250 | 850 | 40 | | 1 350 | 1 200 | 800 |
| 42 | | 1 050 | 1 050 | 800 | 42 | | 1 100 | 1 150 | 750 |
| 44 | | 800 | 800 | 750 | 44 | | | 900 | 700 |
| 46 | | 600 | 600 | 650 | 46 | | | 650 | 700 |
| 48 | | | | 500 | 48 | | | | 550 |

This information is not for crane operation. Operator must refer to the in-cab information for crane operation. Rated lifting capacities shown on fully extended outriggers do not exceed 85% of the tipping loads and on tires do not exceed 75% of the tipping loads.

This Page Intentionally Blank

This Page Intentionally Blank

Link-Belt Cranes Lexington, Kentucky www.linkbelt.com

®Link-Belt is a registered trademark. Copyright 2017. We are constantly improving our products and therefore reserve the right to change designs and specifications.